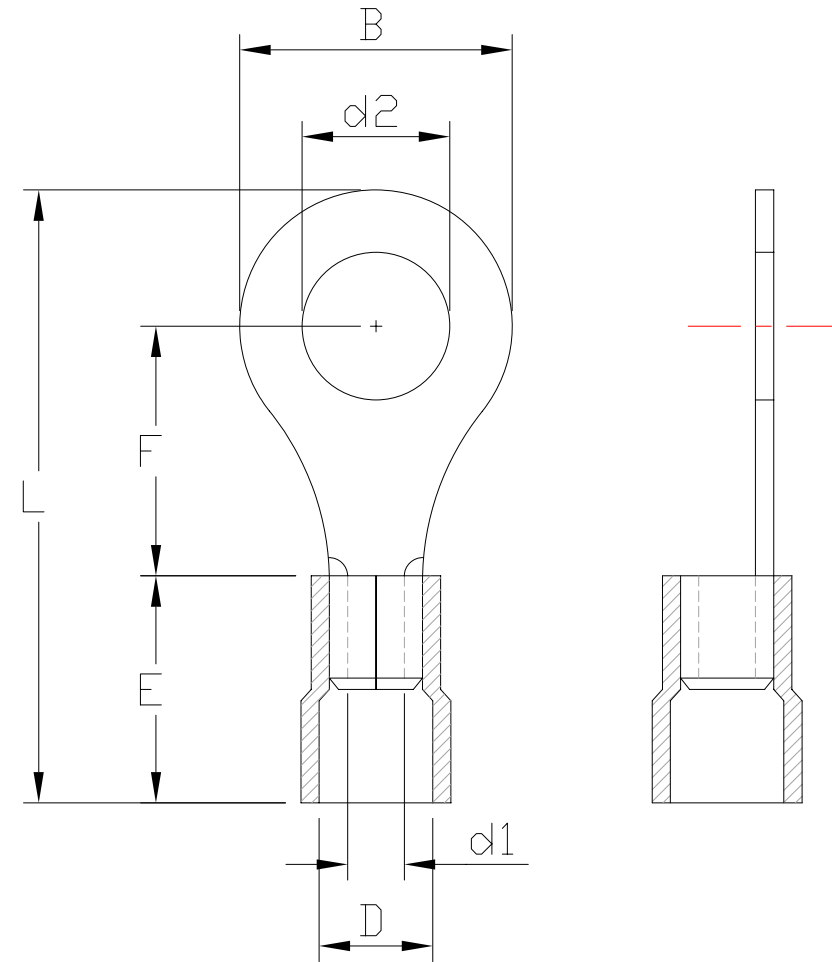


**MAXIMUM ELECTRIC CURRENT**

|         |    |    |    |    |
|---------|----|----|----|----|
| A. W. G | 22 | 20 | 18 | 16 |
| MAX AMP | 9  | 12 | 17 | 18 |

**NOTE:**

1. MAXIMUM ELECTRICAL RATING: 105°C 600 VOLTS
2. WIRE RANGE: 22-16 AWG / 0.5-1.5 mm<sup>2</sup>  
INSULATED COLOR: RED
3. MATERIAL THICKNESS: t  
TOLERANCE: ±0.05



| WIRE RANGE<br>AWG/mm <sup>2</sup>    | 產品編號<br>ITEM NO. | d2<br>±0.20 | B<br>±0.20 | F<br>±0.30 | L<br>±1.00 | E<br>±0.60 | D<br>±0.30 | d1<br>±0.20 | t    |
|--------------------------------------|------------------|-------------|------------|------------|------------|------------|------------|-------------|------|
| 22-16 AWG<br>0.5-1.5 mm <sup>2</sup> | RT-V22-16        | 2.2         | 6.6        | 6.3        | 19.6       | 10.0       | 4.1        | 1.7         | 0.75 |
|                                      | RT-V32-16        | 3.2         | 5.5        | 4.0        | 16.7       |            |            |             |      |
|                                      | RT-V37S-16       | 3.7         | 5.5        | 4.0        | 16.7       |            |            |             |      |
|                                      | RT-V37M-16       | 3.7         | 6.6        | 6.3        | 19.6       |            |            |             |      |
|                                      | RT-V37L-16       | 3.7         | 8.0        | 7.0        | 21.0       |            |            |             |      |
|                                      | RT-V43S-16       | 4.3         | 6.6        | 6.3        | 19.6       |            |            |             |      |
|                                      | RT-V43L-16       | 4.3         | 8.0        | 7.0        | 21.0       |            |            |             |      |
|                                      | RT-V53-16        | 5.3         | 8.0        | 7.0        | 21.0       |            |            |             |      |
|                                      | RT-V65-16        | 6.5         | 11.6       | 11.1       | 26.8       |            |            |             |      |
|                                      | RT-V84-16        | 8.4         | 11.6       | 11.1       | 26.8       |            |            |             |      |
|                                      | RT-V105-16       | 10.5        | 13.6       | 13.9       | 30.7       |            |            |             |      |
|                                      | RT-V130-16       | 13.0        | 19.2       | 16.0       | 35.6       |            |            |             |      |

**RoHS Compliant**

TOLERANCES ARE

**MORETHANALL**  
PCB CONNECTORS  
Cable ASSEMBLIES

DRAWING BY CY

CHECKED BY GENIUS

UNIT / mm

SCALE 1:1

DATE

SIZE A4

PPOJECTION

X, ±  
.X ±  
.XX ±  
.XXX ±  
ANG ±



**ORDER INFORMATION**

RT-Vxxy-16-LF  
SERIES | T | LEADFREE  
16-22 AWG  
S.M.L  
22:2.2 d2  
130:13.0 d2  
VINYL

DESCRIPTION:

**煜倫股份有限公司**

www.morethanall.com