

## SPECIFICATIONS

- ① Housing Material: Polyamide 66(UL94V-0), Black
- ② Screw: M3.0 Nickel Plated Steel
- ③ Terminals: Tin Plated Brass
- ④ Cover: PC Transparent

Screws Torque: 7 In-Lb

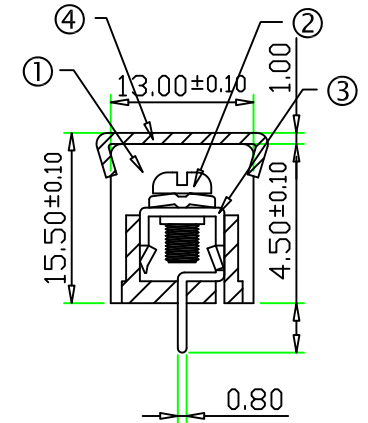
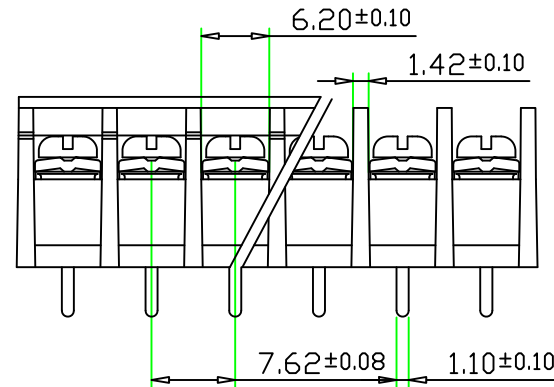
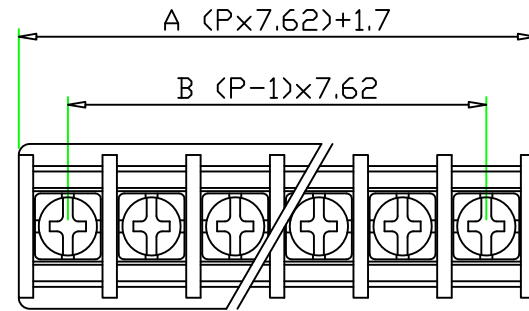
Wire Range: 16~22 AWG

Rated: 10 Amperes.AC250V

Operation Temperature: -55°C~+100°C

Insulation withstands volt: AC2000V min

Insulation resistance: >1000MΩ or more at DC500V



Tolerance ± 0.5

POLE	2	3	4	5	6	7	8	9	10	11	12	13	14	15	
A	16.94	24.56	32.18	39.8	47.42	55.04	62.66	70.28	77.9	85.52	93.14	100.76	108.38	116	
B	7.62	15.24	22.86	30.48	38.1	45.72	53.34	60.96	68.58	76.2	83.82	91.44	99.06	106.68	
POLE	16	17	18	19	20	21	22	23	24	25	26	27	28	29	30
A	123.62	131.14	138.86	146.48	154.1	161.72	169.34	176.96	184.58	192.2	199.82	207.44	215.06	222.68	230.3
B	114.3	121.92	129.54	137.16	144.78	152.4	160.02	167.64	175.26	182.88	190.5	198.12	205.74	213.36	220.98

RoHS Compliant

TOLERANCES ARE

**MORETHANALL**  
PCB CONNECTORS  
Cable ASSEMBLIES

煜倫股份有限公司

www.morethanall.com

DRAWING BY CY

CHECKED BY GENIUS

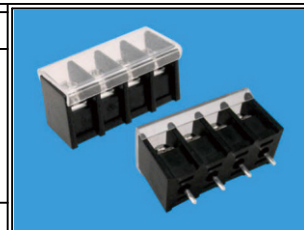
UNIT / mm SCALE 1 : 1

DATE

SIZE A4

P PROJECTION

X, ±  
.X ±  
.XX ±  
.XXX ±  
ANG ±



ORDER INFORMATION

TBB076-DC-xx-LF

SERIES | LEADFREE  
02~30WAY  
CAP  
DIP 180°

DESCRIPTION: Barrier type terminal block