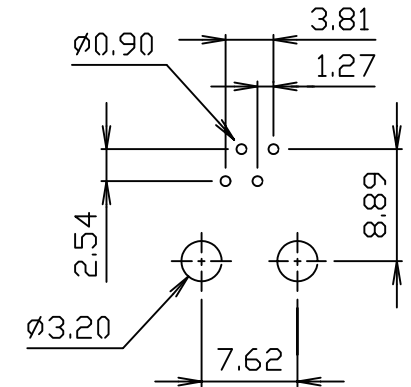
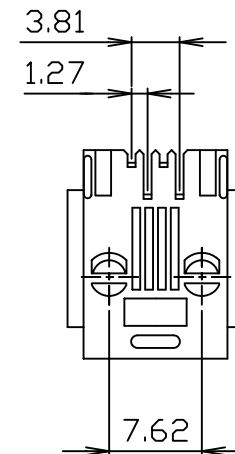
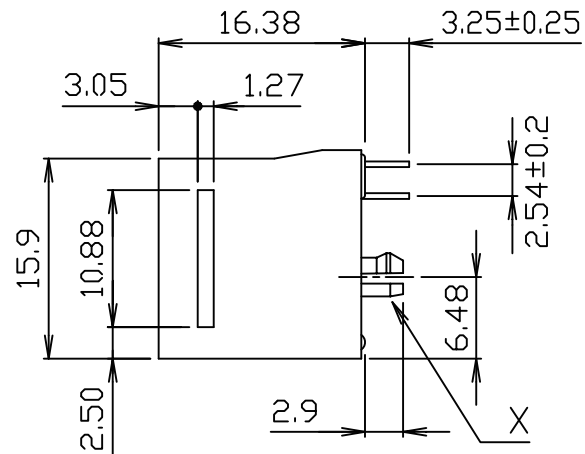
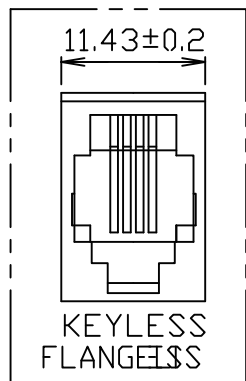
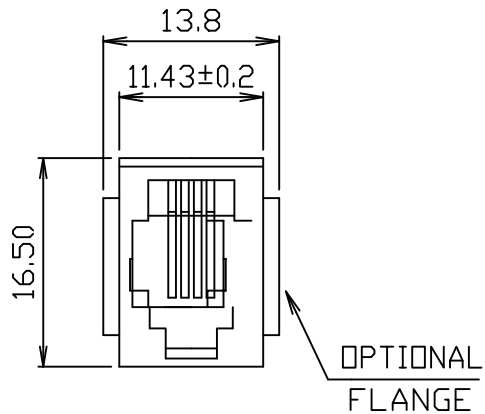
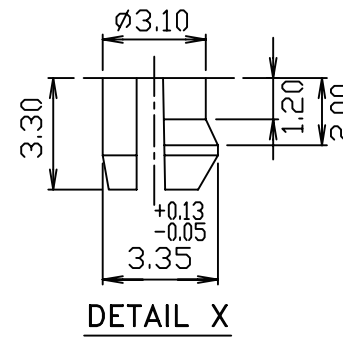


MATERIALS:

- HOUSING—PBT POLYESTER UL94V-0
MIXED GLASS FIBER.
STANDARD COLOR—BLACK
 - CONTACTS—0.45mm DIA. ROUND PHOS-BRONZE
PLATED WITH HARD GOLD.
- CAVITY CONFIRMS TO FCC RULES AND REGULATIONS
PART 68,SUBPART F.



PC Board Layout



DETAIL X

RoHS Compliant

TOLERANCES ARE



煜倫股份有限公司

www.morethanall.com

DRAWING BY CY

CHECKED BY GENIUS

UNIT/ mm SCALE 1:1

DATE

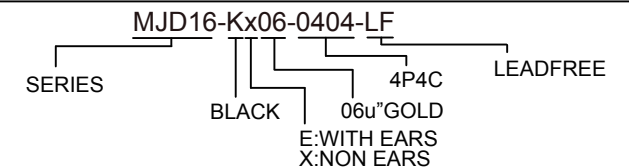
SIZE A4

X, ±
.X ±
.XX ±
.XXX ±
ANG ±

P PROJECTION



ORDER INFORMATION



DESCRIPTION: 4POSITION 180° (SPLIT PEGS) TOP ENTRY PCB JACK