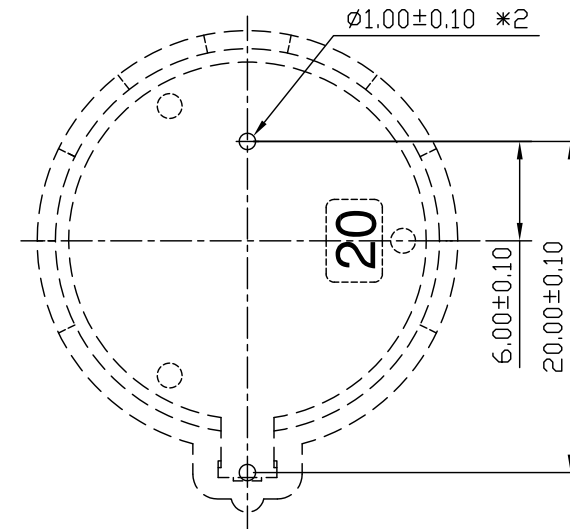


NOTES

1. MATERIALS:  
HOUSING-PBT 30%GF UL94V-0.  
CONTACT-PHOSPHOR BRONZE, C5191R-H T=0.5mm.
2. FLASH: 0.25mm MAX.
3. CAMBER: 0.13mm MAX. DEFORMATION: NA.  
WARP: 0.13mm MAX. TWIST: NA.



RECOMMEND PCB LAYOUT  
COMPONENT SIDE

| PART NO  | øA   | B    |
|----------|------|------|
| BTH-D-20 | 22.8 | 27.8 |

RoHS Compliant

TOLERANCES ARE

**MORETHANALL**  
PCB CONNECTORS  
Cable ASSEMBLIES

DRAWING BY CY

CHECKED BY GENIUS

UNIT / mm

SCALE 1 : 1

DATE

SIZE A4

X, ±  
.X ± 0.20  
.XX ± 0.13  
.XXX ± 0.05  
ANG ±

P PROJECTION



ORDER INFORMATION

BTH-D-20-LF  
SERIES | LEADFREE  
FOR2032  
DIP 180°

煜倫股份有限公司

www.morethanall.com

DESCRIPTION: BATTERY HOLDER ASS'Y