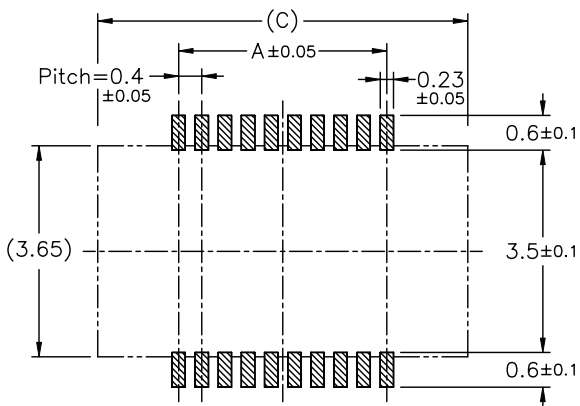
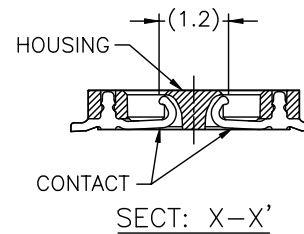
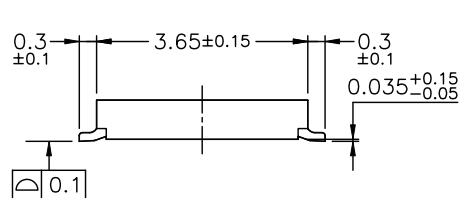


PCB Layout

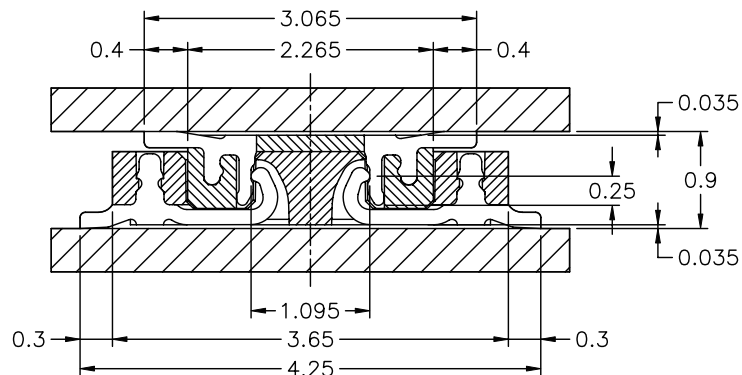


NOTE:

- 1.MATERIAL:
HOUSING:THERMOPLASTIC
CONTACTS:COPPER ALLOY
- 2.PLATING:SEE ORDERING INFORMATION
- 3.RATING:
OPERATING VOLTAGE:50V
CURRENT RATING:0.3A
OPERATING TEMPERATURE:-25°C ~ +85°C



MATED DRAWING(REF.)



SCALE: 15/1

No.of Contacts	Catalog No.	DIM. A	DIM. B	DIM. C
10	NP0410-S07X-010	1.6	2.4	4.4
12	NP0410-S07X-012	2.0	2.8	4.8
14	NP0410-S07X-014	2.4	3.2	5.2
16	NP0410-S07X-016	2.8	3.6	5.6
18	NP0410-S07X-018	3.2	4.0	6.0
20	NP0410-S07X-020	3.6	4.4	6.4
22	NP0410-S07X-022	4.0	4.8	6.8
24	NP0410-S07X-024	4.4	5.2	7.2
26	NP0410-S07X-026	4.8	5.6	7.6
28	NP0410-S07X-028	5.2	6.0	8.0
30	NP0410-S07X-030	5.6	6.4	8.4
32	NP0410-S07X-032	6.0	6.8	8.8
34	NP0410-S07X-034	6.4	7.2	9.2
36	NP0410-S07X-036	6.8	7.6	9.6
38	NP0410-S07X-038	7.2	8.0	10.0
40	NP0410-S07X-040	7.6	8.4	10.4
42	NP0410-S07X-042	8.0	8.8	10.8
44	NP0410-S07X-044	8.4	9.2	11.2
46	NP0410-S07X-046	8.8	9.6	11.6
48	NP0410-S07X-048	9.2	10.0	12.0
50	NP0410-S07X-050	9.6	10.4	12.4
52	NP0410-S07X-052	10.0	10.8	12.8
54	NP0410-S07X-054	10.4	11.2	13.2
56	NP0410-S07X-056	10.8	11.6	13.6
58	NP0410-S07X-058	11.2	12.0	14.0
60	NP0410-S07X-060	11.6	12.4	14.4
62	NP0410-S07X-062	12.0	12.8	14.8
64	NP0410-S07X-064	12.4	13.2	15.2
66	NP0410-S07X-066	12.8	13.6	15.6
68	NP0410-S07X-068	13.2	14.0	16.0
70	NP0410-S07X-070	13.6	14.4	16.4
72	NP0410-S07X-072	14.0	14.8	16.8
74	NP0410-S07X-074	14.4	15.2	17.2
76	NP0410-S07X-076	14.8	15.6	17.6
78	NP0410-S07X-078	15.2	16.0	18.0
80	NP0410-S07X-080	15.6	16.4	18.4

RoHS Compliant

MORETHANALL
PCB CONNECTORS
Cable ASSEMBLIES

煜倫股份有限公司

www.morethanall.com

DRAWING BY CY

CHECKED BY GENIUS

UNIT/mm

SCALE 1:1

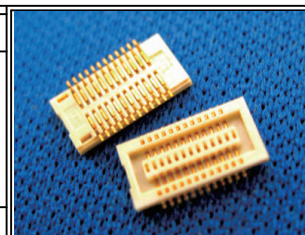
DATE

SIZE A4

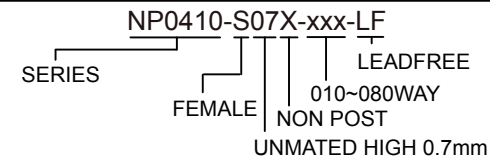
PJECTION

TOLERANCES ARE

- X, ±
- .X ± 0.20
- .XX ± 0.10
- .XXX ±
- ANG ±



ORDER INFORMATION

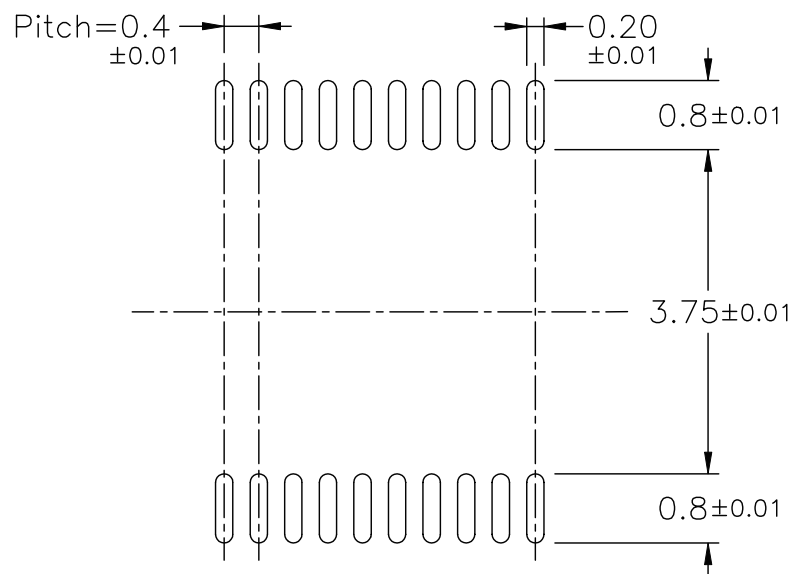


DESCRIPTION: 0.4mm Pitch B-T0-B Connector

Recommended metal mask pattern

Metal mask thickness : 0.1mm

• FEMALE



MORETHANALL
PCB CONNECTORS
Cable ASSEMBLIES

煜倫股份有限公司

www.morethanall.com

RoHS Compliant

DRAWING BY CY

CHECKED BY GENIUS

UNIT/ mm

SCALE 1:1

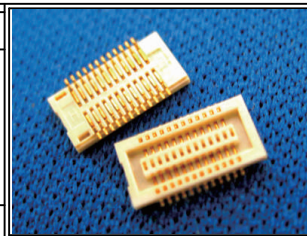
DATE

SIZE A4

TOLERANCES ARE

X. ±
.X ± 0.20
.XX ± 0.10
.XXX ±
ANG ±

PPOJECTION



ORDER INFORMATION

NP0410-S07X-xxx-LF
SERIES
FEMALE
LEADFREE
010~080WAY
NON POST
UNMATED HIGH 0.7mm

DESCRIPTION: 0.4mm Pitch B-T0-B Connector