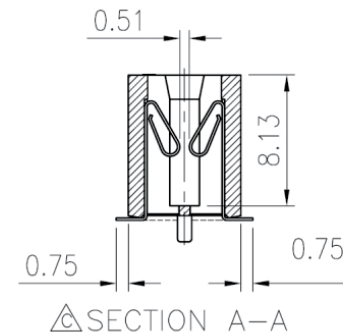
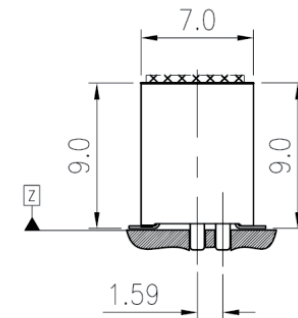
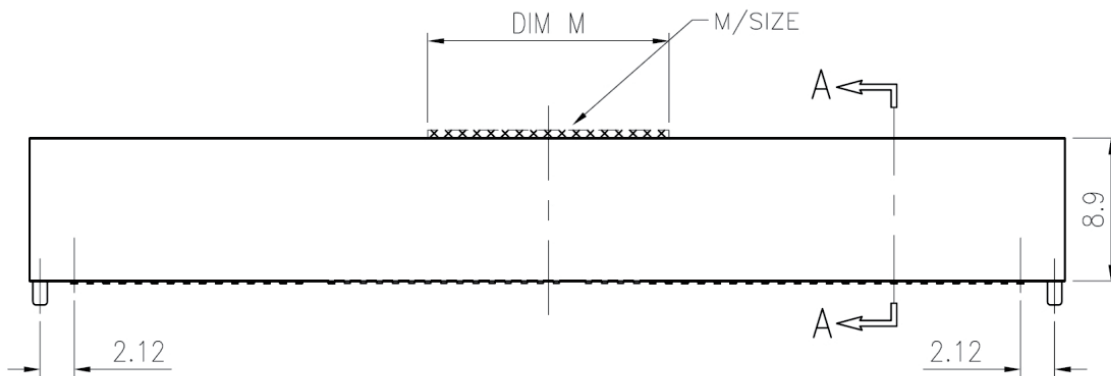


NOTES:

1. MATERIALS:
HOUSING IS HIGH TEMPERATURE PLASTIC
TERMINAL IS PHOSPHOR BRONZE
2. UNDER PLATING: NICKEL 1.27 μm MIN. OVER ALL
3. FINISH: SEE ORDER INFORMATION
4. COPLANARITY IS 0.1mm MAX. BASE ON DATUM Z
5. TRUE POSITION IS 0.1mm MAX. BASE ON DATUM X

P/N	POS.	DIM A	DIM B	DIM C	DIM D	DIM E	DIM F	DIM G	DIM H	M/size	DIM M	POSITION POLARIZED
E10-VPC-010	10	7.00	4.00	1.00	N/A	N/A	N/A	N/A	9.54	W3T12	3.00	3,4
E10-VPC-016	16	10.00	7.00	2.00	N/A	1.00	N/A	N/A	12.54	W3T12	3.00	5,6
E10-VPC-040	40	22.00	19.00	7.00	N/A	6.00	N/A	N/A	24.54	W6T12	6.00	15,16
E10-VPC-060	60	32.00	29.00	10.00	N/A	9.00	N/A	N/A	34.54	WAT12	10	21,22
E10-VPC-080	80	42.00	39.00	15.00	N/A	14.00	N/A	N/A	44.54	WAT12	10	31,32
E10-VPC-100	100	52.00	49.00	20.00	N/A	19.00	N/A	N/A	54.54	WAT12	10	41,42
E10-VPC-120	120	62.00	59.00	15.00	31.00	14.00	14.00	27.00	64.54	WFT12	15	31,32,63,64
E10-VPC-140	140	72.00	69.00	26.00	57.00	25.00	29.00	11.00	74.54	W6T12	40	53,54,115,116



RoHS Compliant

MORETHANALL
PCB CONNECTORS
Cable ASSEMBLIES

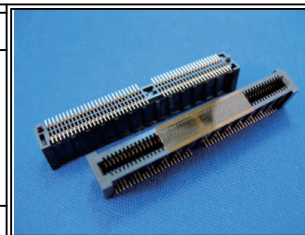
煜倫股份有限公司

www.morethanall.com

DRAWING BY CY
CHECKED BY GENIUS
UNIT / mm SCALE 1:1
DATE
SIZE A4 PPROJECTION

TOLERANCES ARE

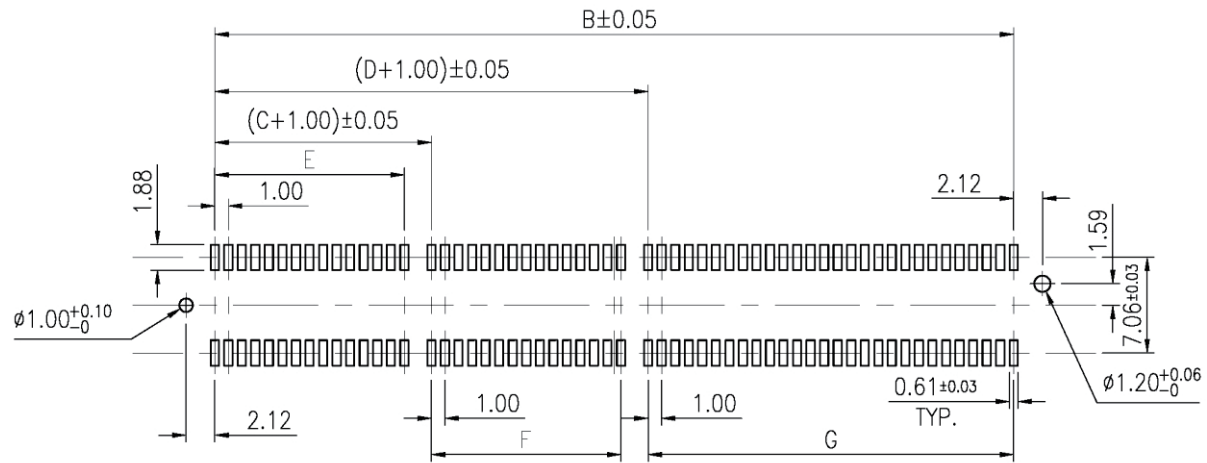
X, \pm
.X \pm
.XX \pm
.XXX \pm
ANG \pm



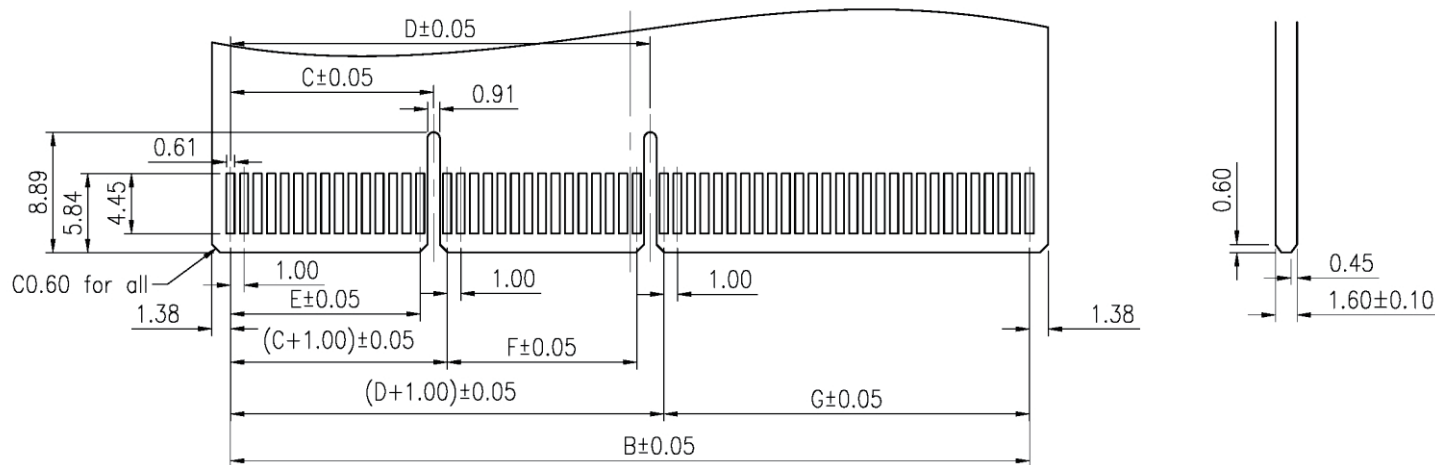
ORDER INFORMATION

E10-VPC-xxx-LF
SERIES | LEADFREE
010~140WAY
MYLAR
POST
180°SMT

DESCRIPTION:



RECOMMENDED PCB LAYOUT
GENERAL TOLERANCE ± 0.05



RECOMMENDED CARD PCB LAYOUT
GENERAL TOLERANCE ± 0.05

MORETHANALL
PCB CONNECTORS
Cable ASSEMBLIES

煜倫股份有限公司

www.morethanall.com

RoHS Compliant

DRAWING BY CY

CHECKED BY GENIUS

UNIT / mm

SCALE 1 : 1

DATE

SIZE A4

TOLERANCES ARE

X, ± 0.30

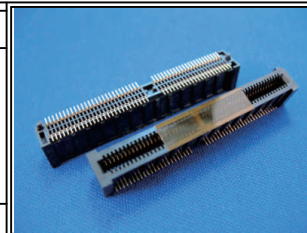
.X, ± 0.30

.XX, ± 0.20

.XXX, ± 0.20

ANG $\pm 1^\circ$

P PROJECTION



ORDER INFORMATION

E10-VPC-xxx-LF
SERIES | LEADFREE
| 010~140WAY
| MYLAR
| POST
| 180°SMT

DESCRIPTION: