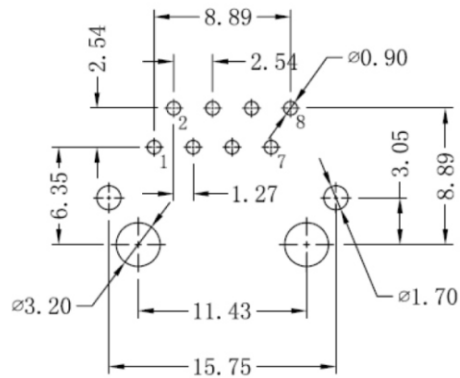
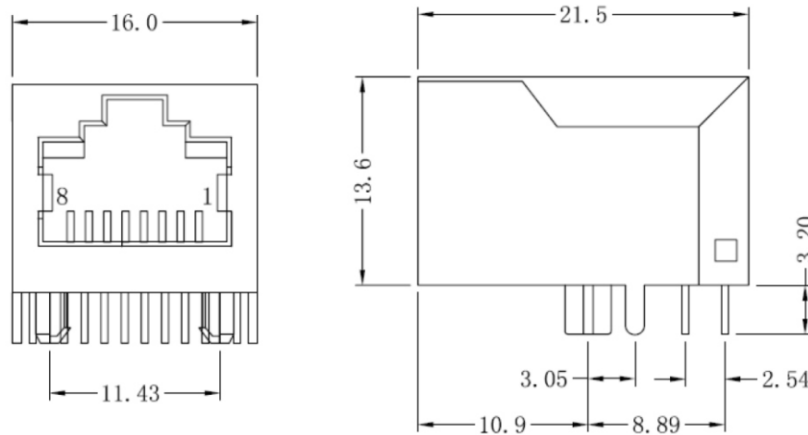


**EXTERNAL DIMENSIONS :**

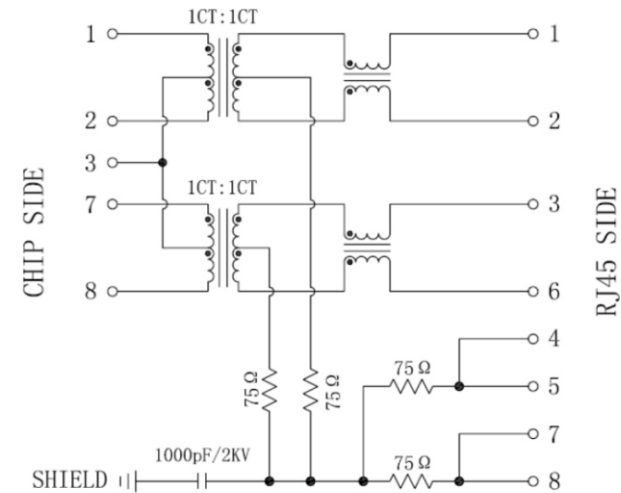


SUGGESTED PCB LAYOUT (TOP VIEW)

**ELECTRICAL CHARACTERISTIC @25°C :**

1. Turn Ratio ( $\pm 2\%$ ) : TX=1CT:1CT  
RX=1CT:1CT
2. Inductance OCL : 350uH Min. @ 100KHz/0.1Vrms 8mA DC Bias
3. Insertion Loss -1.0dB Max. @ 1-100MHz
4. Return Loss : -16dB Min. @ 1-30MHz  
-14dB Min. @ 40MHz  
-12dB Min. @ 50MHz  
-10dB Min. @ 60-80MHz
5. Cross talk : -47dB Min. @ 20MHz  
-40dB Min. @ 40MHz  
-37dB Min. @ 60MHz  
-35dB Min. @ 80MHz  
-33dB Min. @ 100MHz
6. CMRR : -30dB Min. @ 1-100MHz
7. Isolation Voltage : 1500Vrms Min.
8. Operating Temperature : 0°C~70°C

**SCHEMATIC DRAWING :**



**RoHS Compliant**

TOLERANCES ARE

**MORETHANALL**  
PCB CONNECTORS  
Cable ASSEMBLIES

DRAWING BY CY

X,  $\pm$

CHECKED BY GENIUS

.X  $\pm$

UNIT / mm

SCALE 1 : 1

.XX  $\pm$

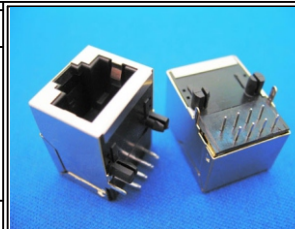
DATE

.XXX  $\pm$

ANG  $\pm$

SIZE A4

PJECTION



**ORDER INFORMATION**

**MJF13T03U-KX06B3-0808**

SERIES

8P8C

REAR TAB 3.05mm

06u" GOLD

NON EAR

BLACK

**煜倫股份有限公司**

[www.morethanall.com](http://www.morethanall.com)

DESCRIPTION: