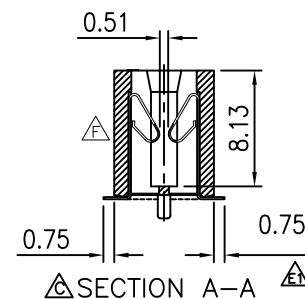
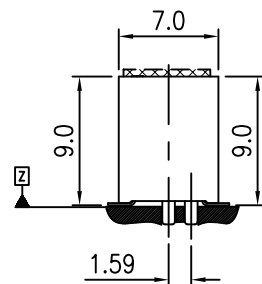
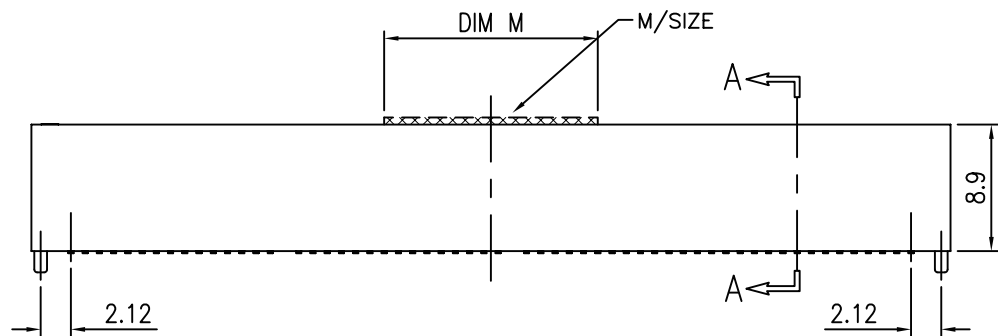


NOTES:

1. MATERIALS:
HOUSING IS HIGH TEMPERATURE PLASTIC
TERMINAL IS PHOSPHOR BRONZE
- △ 2. UNDER PLATING: NICKEL 1.27 um MIN. OVER ALL
- △ 3. FINISH: SEE ORDER INFORMATION
4. COPLANARITY IS 0.1mm MAX. BASE ON DATUM Z
5. TRUE POSITION IS 0.1mm MAX. BASE ON DATUM X

P/N	POS.	DIM A	DIM B	DIM C	DIM D	DIM E	DIM F	DIM G	DIM H	M/size	DIM M	POSITION POLARIZED
E10-VPCR-010	10	7.00	4.00	1.00	N/A	N/A	N/A	N/A	9.54	W3T12	3	3,4
E10-VPCR-016	16	10.00	7.00	2.00	N/A	1.00	N/A	N/A	12.54	W3T12	3	5,6
E10-VPCR-040	40	22.00	19.00	7.00	N/A	6.00	N/A	N/A	24.54	W6T12	6	15,16
E10-VPCR-050	50	27.00	24.00	9.00	N/A	8.00	N/A	N/A	29.54	W6T12	6	19,20
E10-VPCR-060	60	32.00	29.00	10.00	N/A	9.00	N/A	N/A	34.54	WAT12	10	21,22
E10-VPCR-080	80	42.00	39.00	15.00	N/A	14.00	N/A	N/A	44.54	WAT12	10	31,32
E10-VPCR-100	100	52.00	49.00	20.00	N/A	19.00	N/A	N/A	54.54	WAT12	10	41,42
E10-VPCR-120	120	62.00	59.00	15.00	31.00	14.00	14.00	27.00	64.54	WFT12	15	31,32,63,64
E10-VPCR-140	140	72.00	69.00	26.00	57.00	25.00	29.00	11.00	74.54	W6T12	40	53,54,115,116



RoHS Compliant

TOLERANCES ARE

MORETHANALL
PCB CONNECTORS
Cable ASSEMBLIES

煜倫股份有限公司

www.morethanall.com

DRAWING BY CY

CHECKED BY GENIUS

UNIT/mm

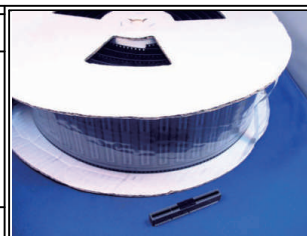
SCALE 1:1

DATE

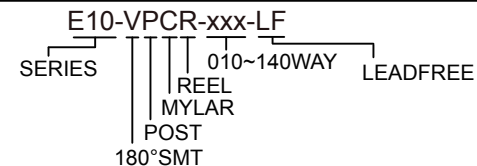
SIZE A4

PJECTION

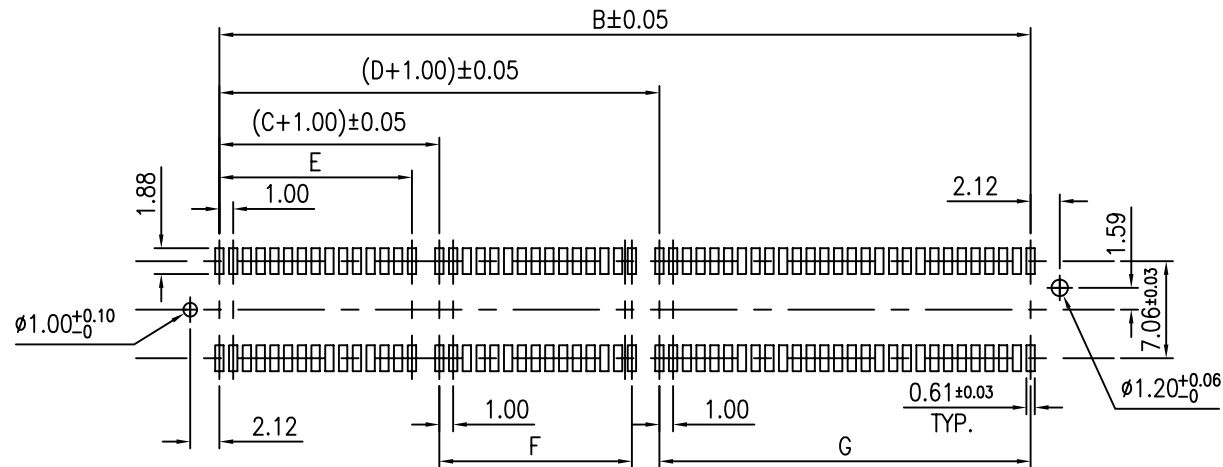
X. ±
.X ±
.XX ±
.XXX ±
ANG ±



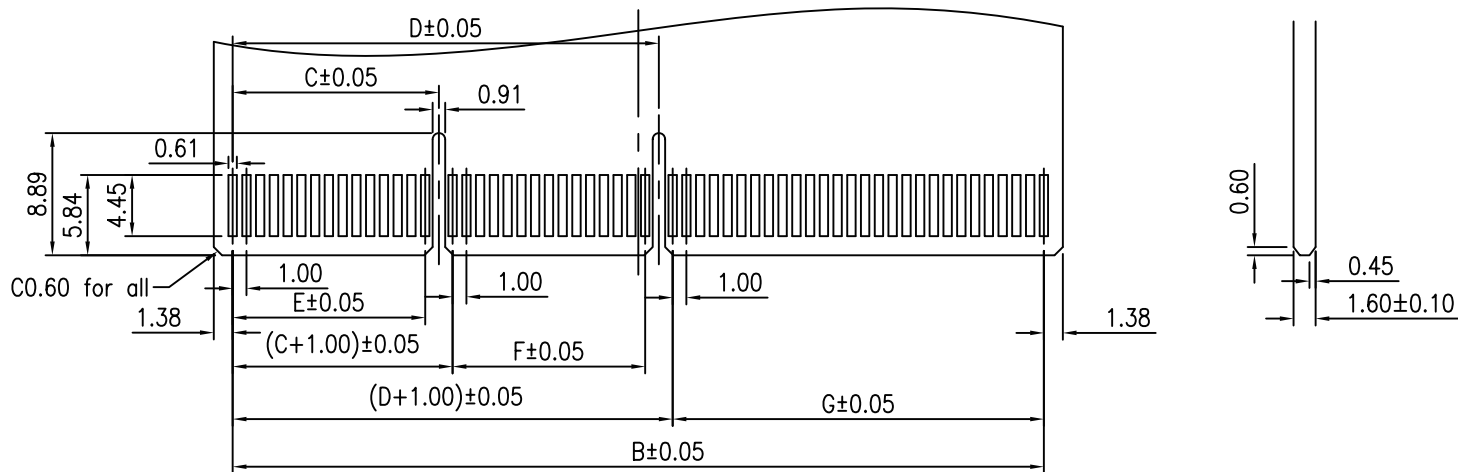
ORDER INFORMATION



DESCRIPTION: 1.0mm MINI EDGE SOCKET SMT D/R TYPE



RECOMMENDED PCB LAYOUT
GENERAL TOLERANCE ± 0.05



RECOMMENDED CARD PCB LAYOUT
GENERAL TOLERANCE ± 0.05

RoHS Compliant

TOLERANCES ARE

MORETHANALL
PCB CONNECTORS
Cable ASSEMBLIES

DRAWING BY CY

CHECKED BY GENIUS

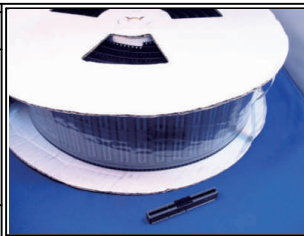
UNIT/mm SCALE 1:1

DATE

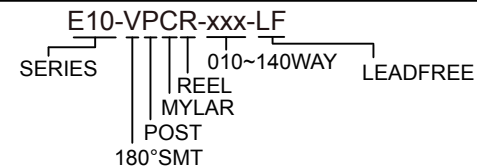
SIZE A4

PJECTION

X. ± 0.30
.X ± 0.30
.XX ± 0.20
.XXX ± 0.20
ANG $\pm 1^\circ$



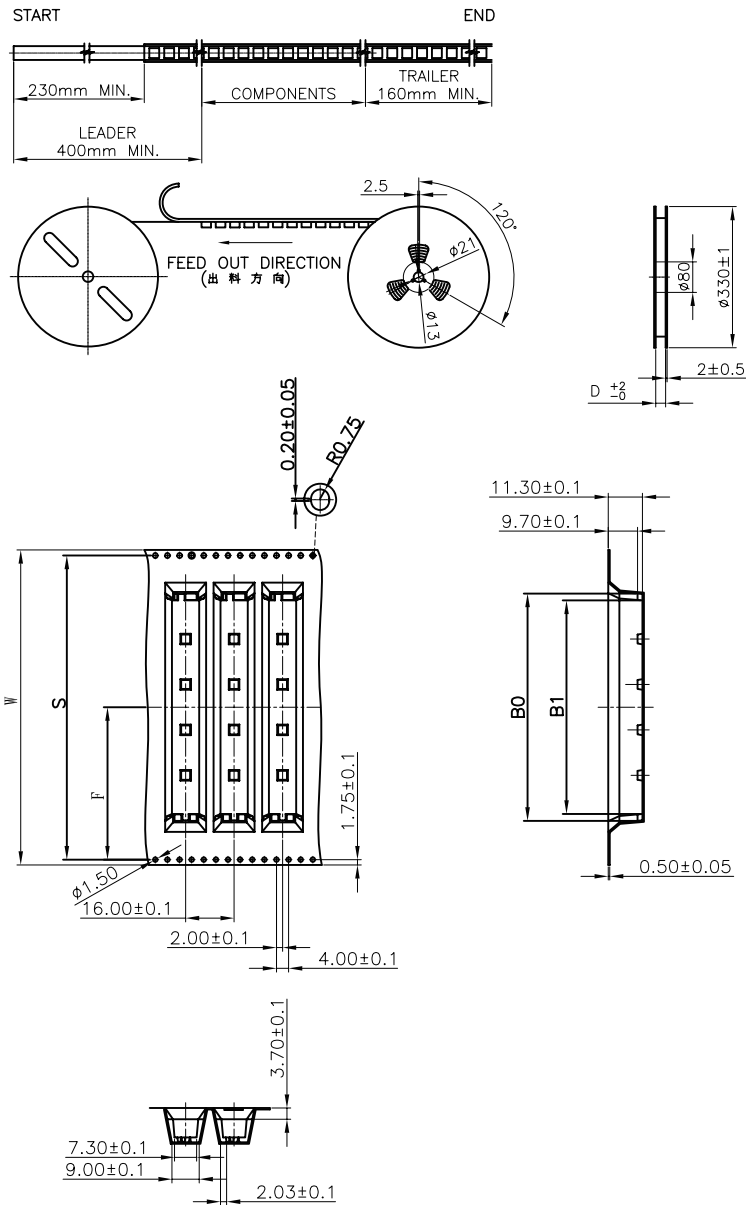
ORDER INFORMATION



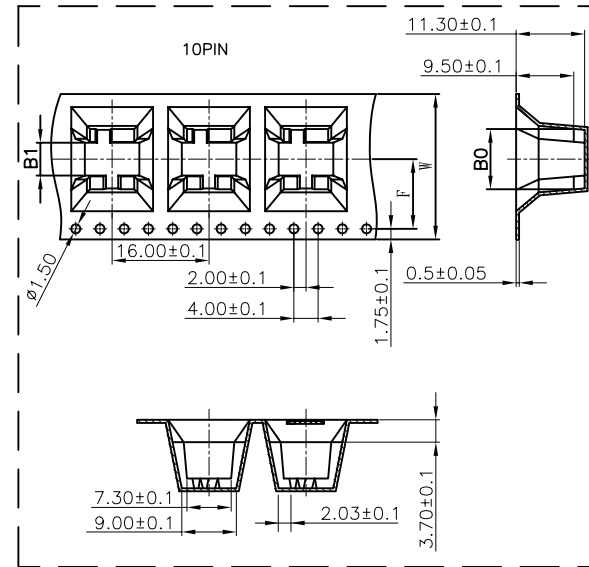
煜倫股份有限公司

www.morethanall.com

DESCRIPTION: 1.0mm MINI EDGE SOCKET SMT D/R TYPE



- NOTES:
1. 10 SPROCKET HOLE PITCH CUMULATIVE TOLERANCE: ±0.20mm
 2. CARRIER CAMBER NOT TO EXCEED 1mm IN 100mm.
 3. ALL DIMENSIONS MEET EIA-481-3 REQUIREMENTS.
 4. MATERIAL: BLACK ANTI-STATIC POLYSTYRENE.
 5. THICKNESS: 0.5 ± 0.05 mm.
 6. COMPONENT LOAD PER 13" REEL : 300 PCS/5.9M.



PART NO	W	F	S	B0	B1	D
	±0.30	±0.10	±0.10	±0.10	±0.10	
10	24	11.5		9.95	5.5	24.4
16	32	14.2	28.4	12.95	8.5	32.4
30	44	20.2	40.4 ^E	20.05	15.05	44.4
40				25.05	20.5	44.4
50	56	26.2	52.4	30.05	25.5	56.4
60				35.05	30.5	56.4
80	72	34.2	68.4	45.05	40.5	72.4
100	88	42.2	84.4	55.05	50.5	88.4
120				65.05	60.5	88.4

RoHS Compliant

MORETHANALL
PCB CONNECTORS
Cable ASSEMBLIES

煜倫股份有限公司

www.morethanall.com

DRAWING BY CY

CHECKED BY GENIUS

UNIT/ mm

SCALE 1:1

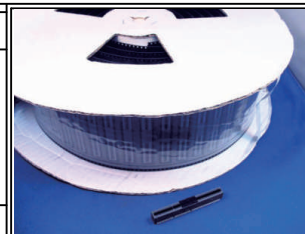
DATE

SIZE A4

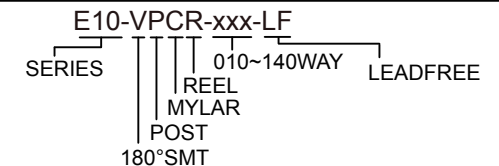
TOLERANCES ARE

X, ±
.X ±
.XX ±
.XXX ±
ANG ±

PJECTION



ORDER INFORMATION



DESCRIPTION: EMBOSSED TAPE PACKING