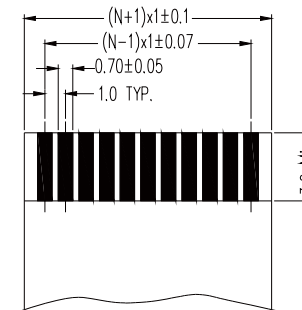
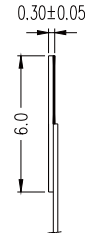


(RECOMMENDED PCB LAYOUT)



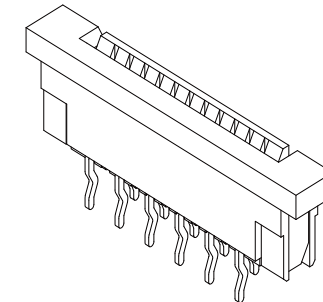
N=NUMBER OF CONTACTS
(APPLICABLE FPC/FFC)

PERFORMANCE CHARACTERISTICS

Operating Voltage:	100 VAC Max.
Current Rating:	0.5 Amp Max.
Contact Resistance:	30 mΩ Max.
Insulation Resistance:	500 MΩ Min.
Dielectric Withstanding Voltage:	500 VAC RMS.
Operating Temperature:	-40°C TO +85°C
Accommodated FFC/FPC Thickness:	0.25~0.35mm

MATERIAL

Insulator:	LCP;UL94V-0 Rated. (COLOR : IVORY)
Slider:	PPS;UL94V-0 Rated. (COLOR : BLACK)
Terminal:	Phosphor Bronze
Plating:	Tin Alloy plated



DIM. TABLE

19	24.00	18.00	26.00	20.15					
18	23.00	17.00	25.00	19.15	34	39.00	33.00	41.00	35.15
17	22.00	16.00	24.00	18.15	33	38.00	32.00	40.00	34.15
16	21.00	15.00	23.00	17.15	32	37.00	31.00	39.00	33.15
15	20.00	14.00	22.00	16.15	31	36.00	30.00	38.00	32.15
14	19.00	13.00	21.00	15.15	30	35.00	29.00	37.00	31.15
13	18.00	12.00	20.00	14.15	29	34.00	28.00	36.00	30.15
12	17.00	11.00	19.00	13.15	28	33.00	27.00	35.00	29.15
11	16.00	10.00	18.00	12.15	27	32.00	26.00	34.00	28.15
10	15.00	9.00	17.00	11.15	26	31.00	25.00	33.00	27.15
9	14.00	8.00	16.00	10.15	25	30.00	24.00	32.00	26.15
8	13.00	7.00	15.00	9.15	24	29.00	23.00	31.00	25.15
7	12.00	6.00	14.00	8.15	23	28.00	22.00	30.00	24.15
6	11.00	5.00	13.00	7.15	22	27.00	21.00	29.00	23.15
5	10.00	4.00	12.00	6.15	21	26.00	20.00	28.00	22.15
4	9.00	3.00	11.00	5.15	20	25.00	19.00	27.00	21.15
POS.	A	B	C	D	POS.	A	B	C	D

RoHS Compliant

TOLERANCES ARE

MORETHANALL
PCB CONNECTORS
Cable ASSEMBLIES

煜倫股份有限公司

www.morethanall.com

DRAWING BY CY

CHECKED BY GENIUS

UNIT / mm

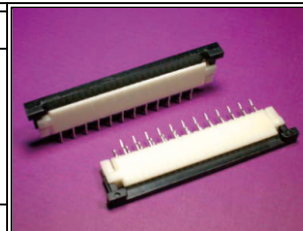
SCALE 1 : 1

DATE

SIZE A4

P PROJECTION

X, ±
.X ±
.XX ±
.XXX ±
ANG ±



ORDER INFORMATION

FPA-DZAL53-xx-LF
SERIES
DIP 180°
ZIF
LEADFREE
04~34WAY
HIGH 5.3mm
L TYPE FOOT POSITION
SINGLE CONTACT

DESCRIPTION: 1.0 ZIF FPC CONN. TOP ENTRY CONTACT DIP TYPE.