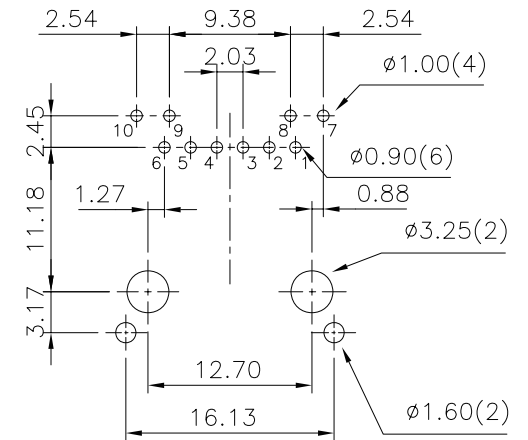
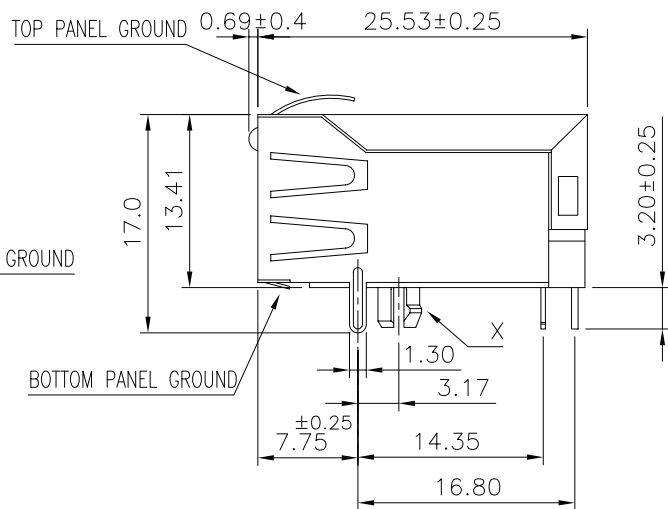
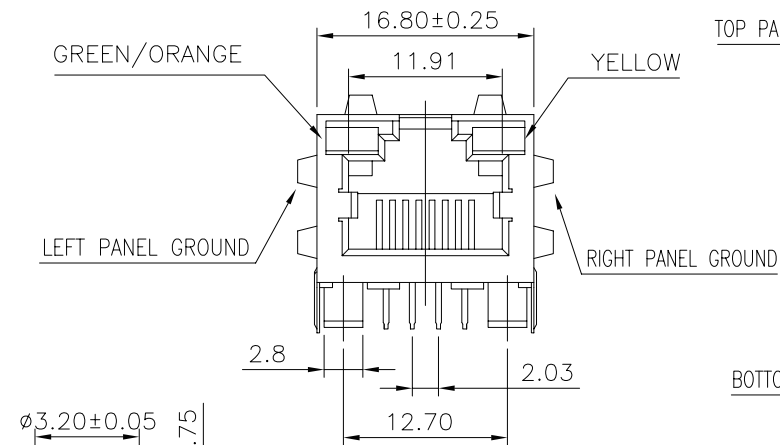


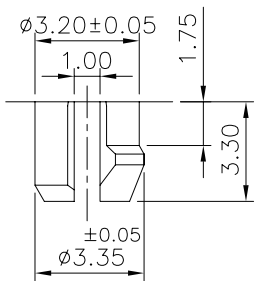
RECOMMENDED PANEL CUTOUT
Ref.

MATERIAL:

- HOUSING—PBT POLYESTER UL94V-0
MIXED GLASS FIBER.
STANDARD COLOR—BLACK.
 - CONTACTS—0.35mm THICK PHOS-BRONZE PLATED
WITH HARD GOLD AND GOLD FLASH IN
SOLDER AREA.
 - SHIELD—0.20mm THICK COPPER ALLOY,
PLATED WITH NICKEL.
- CAVITY CONFIRMS TO FCC RULES AND REGULATIONS
PART 68, SUBPART F.



PCB LAYOUT
Ref.



DETAIL X

RoHS Compliant

TOLERANCES ARE



煜倫股份有限公司

www.morethanall.com

DRAWING BY CY

CHECKED BY GENIUS

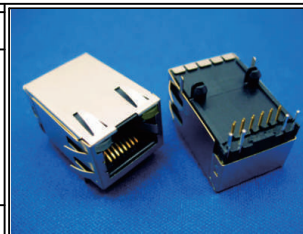
UNIT/mm SCALE 1:1

DATE

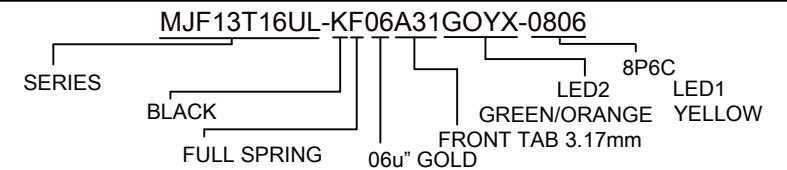
SIZE A4

X. ±
.X ±
.XX ±
.XXX ±
ANG ±

PJECTION



ORDER INFORMATION



DESCRIPTION: SINGLE PORT, RJ45, SHIELD WITH R & C TERMINATION

TRANSFORMER

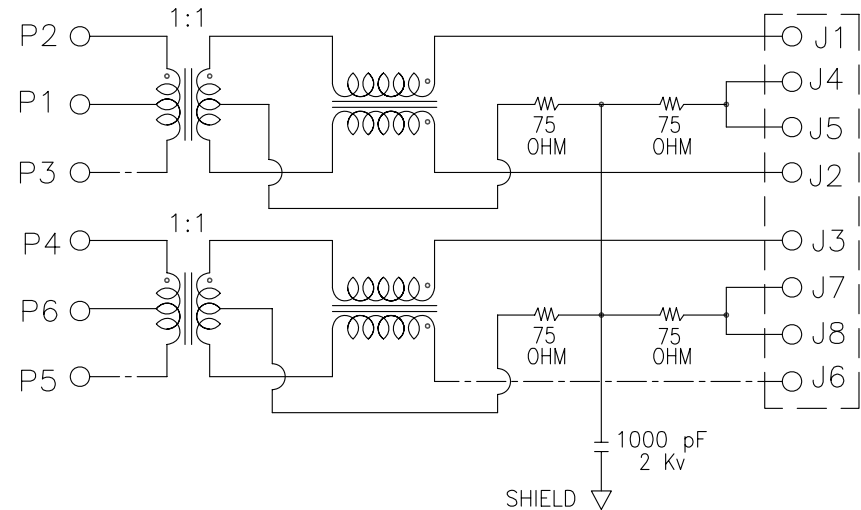
ELECTRICAL CHARACTERISTICS

TEST NOTES: (25±5°C)

1. TR: (100KHz, 0.1V);
PINS:(2-3):(J1-J2)=1CT:1CT
PINS:(4-5):(J3-J6)=1CT:1CT
2. LX: (100KHz, 100mV, 8mA, DC Bias)
PINS: (2,3),(4,5)=400uH MINIMUM
3. DCR:
PINS: (2-3),(J3-J6),(J1-J2)=1.0 OHMS MAXIMUM.
PINS: (4-5)=1.2 OHMS MAXIMUM.
4. HIPOT:
PINS(2,1,3)TO(J1,J2)=1500VAC FOR 60 SECONDS
PINS(4,5,6)TO(J3,J6)=1500VAC FOR 60 SECONDS
6. INSERTION LOSS:
-1.0dB MAXIMUM AT 1MHz TO 100MHz
7. RETURN LOSS:
-20dB MINIMUM AT 1MHz TO 30MHz
-12dB MINIMUM AT 30MHz TO 60MHz
-12dB MINIMUM AT 60MHz TO 80MHz
8. CROSS TALK:
-30dB MINIMUM AT 1MHz TO 100MHz
9. COMMON TO COMMON MODE REJECTION:
-30dB MINIMUM AT 1MHz TO 100MHz

CONNECTOR SOLDER SIDE

RJ45
CONTACT SIDE



CONNECTOR SCHEMATIC

RoHS Compliant

TOLERANCES ARE

MORETHANALL
PCB CONNECTORS
Cable ASSEMBLIES

煜倫股份有限公司

www.morethanall.com

DRAWING BY CY

CHECKED BY GENIUS

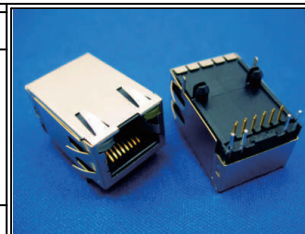
UNIT/mm SCALE 1:1

DATE

SIZE A4

PJECTION

X.±
.X±
.XX±
.XXX±
ANG±



ORDER INFORMATION

MJF13T16UL-KF06A31GOYX-0806

SERIES
BLACK
FULL SPRING
06u" GOLD
8P6C
LED2 GREEN/ORANGE
LED1 YELLOW
FRONT TAB 3.17mm

DESCRIPTION: SINGLE PORT, RJ45, SHIELD WITH R & C TERMINALTION