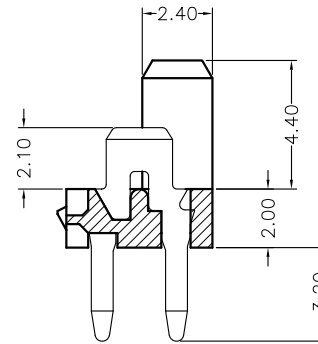
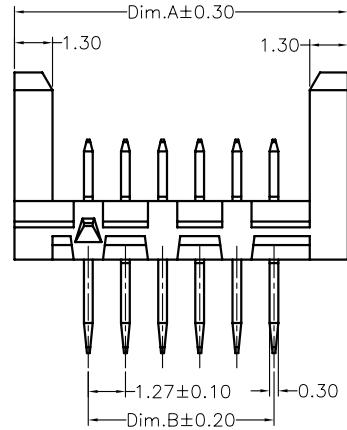
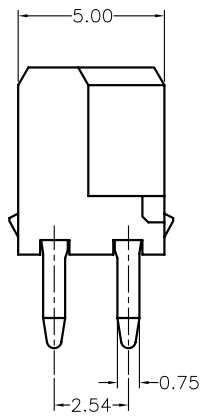
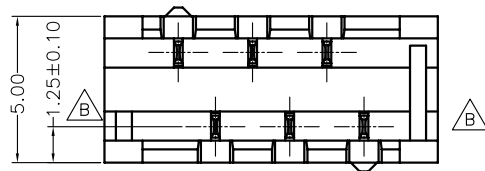


Specifications:
 Current Rating:1.2A AC/DC
 Voltage Rating:32V AC/DC
 Contact Resistance:20m Ohm Max
 Insulation Resistance:1000M Ohm Min
 Withstanding Voltage:500V AC/Minute
 Operating Temperature:-40°C To +105°C
 Materials and Finish:
 Insulator:High Temp Plastic (Nylon46 UL94V-0)
 Insulator Color:Black
 Contact:Phosphor Bronze
 Contact Plated:Tin Plated

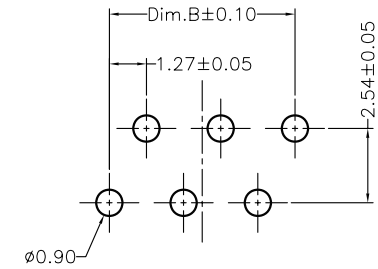


SECTION: A-A



Dimension:

Pos.	Dimension:		Pos.	Dimension:	
	A	B		A	B
04	8.86	3.81	16	24.10	19.05
06	11.40	6.35	18	26.64	21.59
08	13.94	8.89	20	29.18	24.13
10	16.48	11.43	22	31.72	26.67
12	19.02	13.97	24	34.26	29.21
14	21.56	16.51	26	36.80	31.75



PCB LAYOUT

RoHS Compliant

TOLERANCES ARE

MORETHANALL
 PCB CONNECTORS
 Cable ASSEMBLIES

煜倫股份有限公司

www.morethanall.com

DRAWING BY CY

CHECKED BY GENIUS

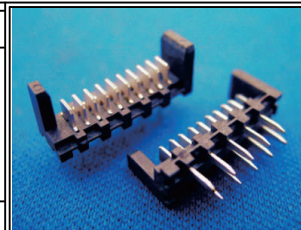
UNIT / mm SCALE 1 : 1

DATE

SIZE A4

P PROJECTION

X, ±
 .X ±
 .XX ±
 .XXX ±
 ANG ±



ORDER INFORMATION

PF-PDX-xx-LF
 SERIES | LEADFREE
 | 04~26WAY
 | NON POST
 | DIP 180°
 | MALE

DESCRIPTION: 1.27mm IDC Connector Straight Type