

Recommended P.C.B. Layout

### SPECIFICATIONS

- \* Current Rating : 1 Amps
- \* Insulator resistance: 5000 Megohms min.
- \* Dielectric withstanding: AC 500 V
- \* Operating Temperature: -40°-+105°C
- \* Max Processing Temp: 230° for 30~60 seconds  
(260° for 10 seconds)
- \* Contact Material: Phosphor bronze
- \* Housing: L.C.P (UL 94 V-0)

**RoHS Compliant**

TOLERANCES ARE

**MORETHANALL**  
PCB CONNECTORS  
Cable ASSEMBLIES

煜倫股份有限公司

www.morethanall.com

DRAWING BY CY

CHECKED BY GENIUS

UNIT/ mm

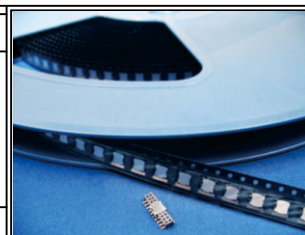
SCALE 1:1

DATE

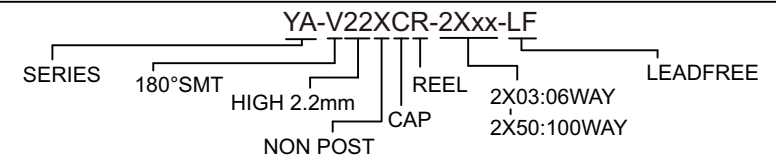
SIZE A4

X. ±  
.X ±  
.XX ±  
.XXX ±  
ANG ±

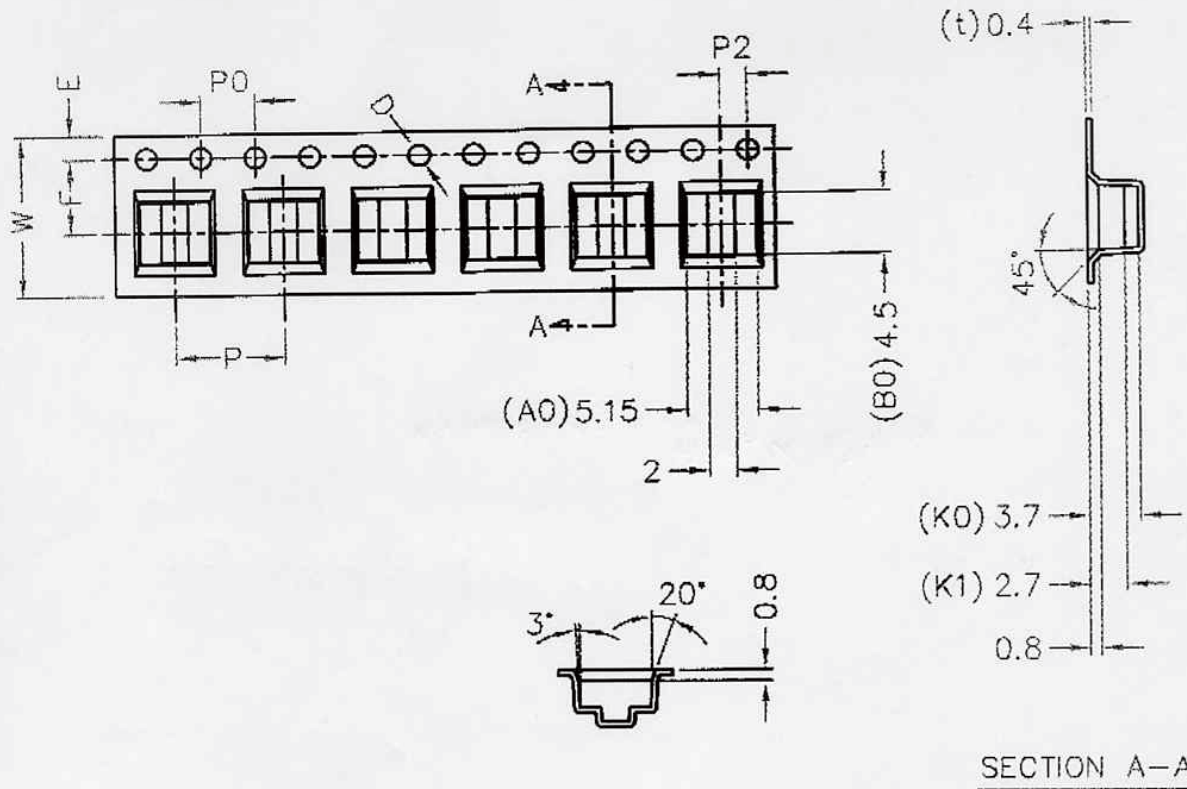
PROJECTION



**ORDER INFORMATION**



DESCRIPTION: 1.27X1.27mm SOCKET LOW PROFILE 2.2mm SMD TYPE



1. 10 sprocket hole pitch cumulative tolerance  $\pm 0.20\text{mm}$ .
2. Carrier camber not to exceed 1mm in 100mm.
3.  $A_0$  and  $B_0$  measured on a plane 0.3mm above the bottom of the pocket.
4.  $K_0$  measured from a plane on the inside bottom of the pocket to the top surface of the carrier.
5. All dimensions meet EIA-481-C requirements.
6. Material: Black Anti-static Polystyrene.
7. Thickness:  $0.40 \pm 0.05\text{ mm}$ .
8. Packing length per 22" reel : 56 Meters.

SECTION A-A

ITEM	W	$A_0$	$B_0$	$K_0$	$K_1$	P	F	E	D	$D_1$	$P_0$	$P_2$
DIM	12.0 +0.30 -0.30	5.15 +0.20 -0.10	4.50 +0.20 -0.10	3.70 +0.20 -0.10	2.70 +0.20 -0.10	8.00 +0.10 -0.10	5.50 +0.10 -0.10	1.75 +0.10 -0.10	1.50 +0.10 -0.00	0.00 +0.25 -0.00	4.00 +0.10 -0.10	2.00 +0.10 -0.10
ALTERNATE						問題卷明： (Note:)						
客6確認： Customer Approved:		確認日期： Date:										

**MORETHANALL**  
PCB CONNECTORS  
Cable ASSEMBLIES

煜倫股份有限公司

www.morethanall.com

RoHS Compliant

DRAWING BY CY

CHECKED BY GENIUS

UNIT/mm SCALE 1:1

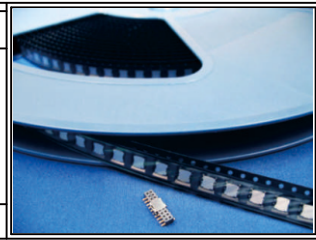
DATE

SIZE A4

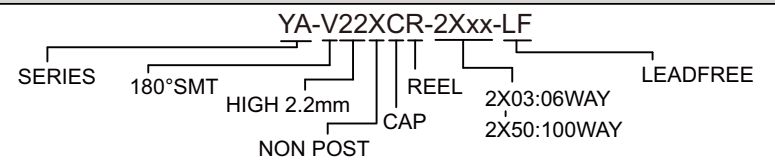
TOLERANCES ARE

- X.  $\pm$
- .X  $\pm$
- .XX  $\pm$
- .XXX  $\pm$
- ANG  $\pm$

PROJECTION



ORDER INFORMATION



DESCRIPTION: 1.27X1.27mm SOCKET LOW PROFILE 2.2mm SMD TYPE