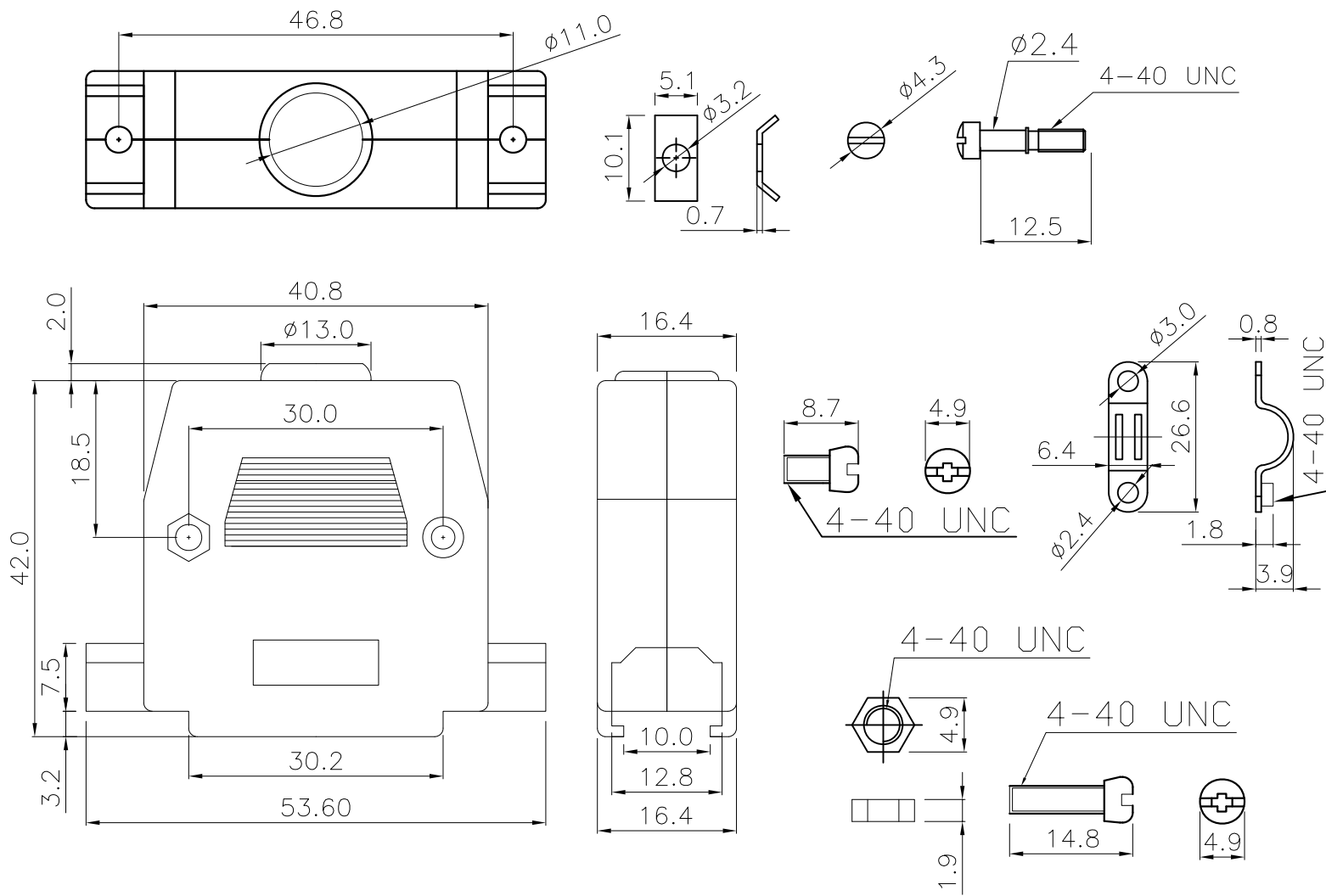


MATERIAL:
 INSULATOR : ABS UL94HB
 SCREW: STEEL
 FINISHED : CHROMATE PLATED



RoHS Compliant

TOLERANCES ARE

MORETHANALL
 PCB CONNECTORS
 Cable ASSEMBLIES

DRAWING BY CY

CHECKED BY GENIUS

UNIT / mm

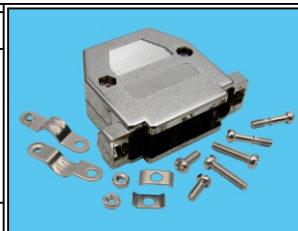
SCALE 1 : 1

DATE

SIZE A4

PJECTION

X, ±
 .X ± 0.30
 .XX ± 0.20
 .XXX ±
 ANG ± 5°



ORDER INFORMATION

DH-C1-25-LF
 SERIES | LEADFREE
 | 25WAY
 | SINGLE PACKING
 | CHROMATE

DESCRIPTION: D-SUB PLASTIC HOOD,25P STANDARD TYPE SHORT SCREW

煜倫股份有限公司

www.morethanall.com