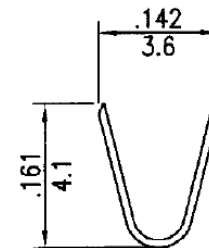
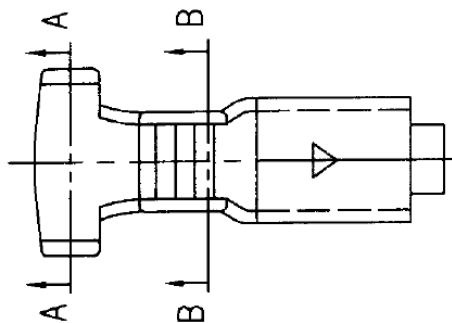
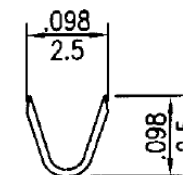
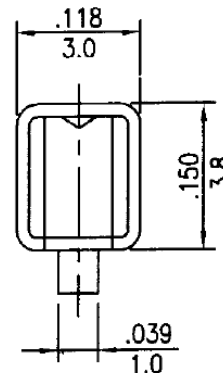
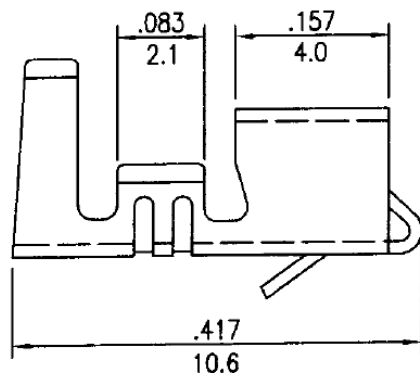


- \* Material:Brass
- \* Finished:Tin-plated
- \* Wire range:AWG#18~#24
- \* Insulation O.D:2.80mm(max)
- \* Thickness:0.25mm

inches  
mm



A-A SECTION



B-B SECTION

RoHS Compliant

TOLERANCES ARE

**MORETHANALL**  
PCB CONNECTORS  
Cable ASSEMBLIES

煜倫股份有限公司

www.morethanall.com

DRAWING BY CY

CHECKED BY GENIUS

UNIT / mm

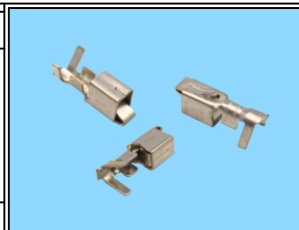
SCALE 1 : 1

DATE

SIZE A4

PPOJECTION

X, ±  
.X ±  
.XX ±  
.XXX ±  
ANG ±



ORDER INFORMATION

VH-T1-18-LF  
SERIES | LEADFREE  
| 18-24 AWG  
| CUT WITH 1PCS  
TERMINAL

DESCRIPTION: