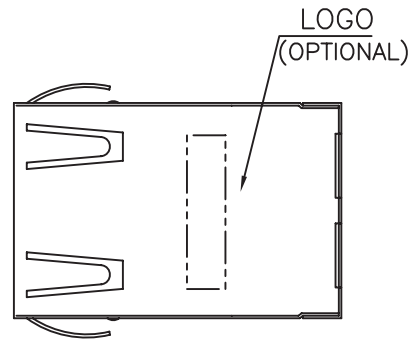
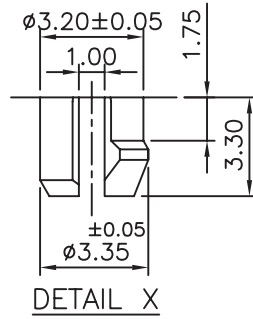
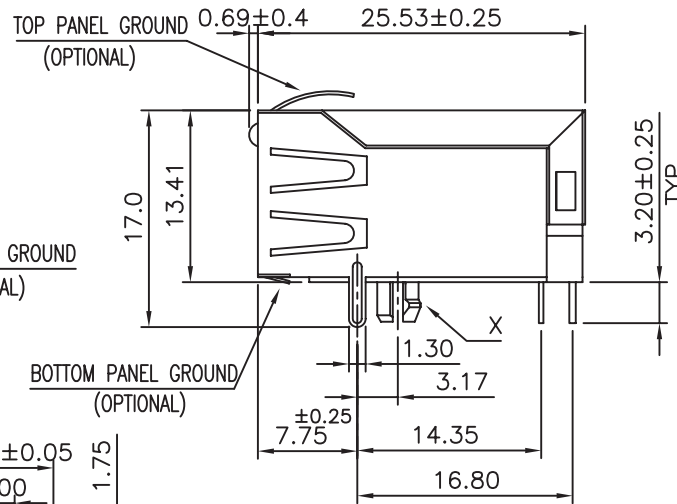
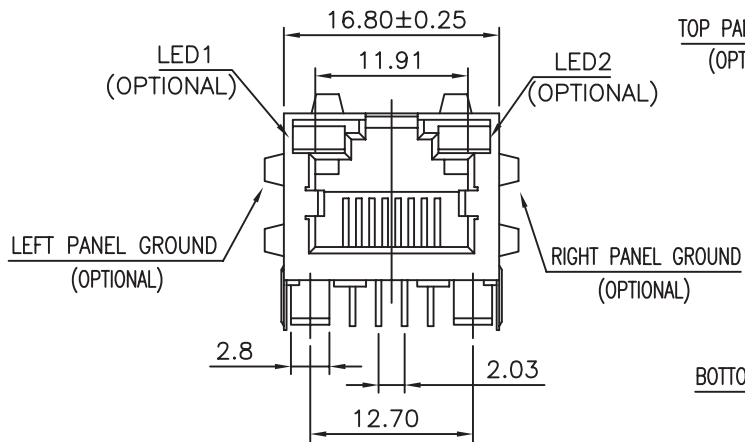


RECOMMENDED PANEL CUTOUT  
Ref.

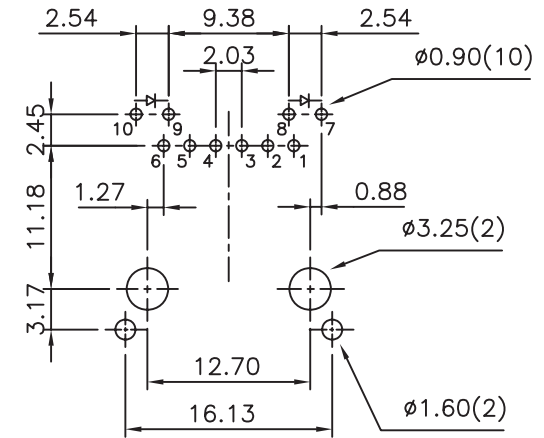


MATERIAL:

- HOUSING—PBT POLYESTER UL94V-0 MIXED GLASS FIBER. STANDARD COLOR—BLACK.
  - CONTACTS—0.35mm THICK PHOS-BRONZE PLATED WITH HARD GOLD AND TIN/LEAD IN SOLDER AREA.
  - SHIELD—0.25mm THICK COPPER ALLOY, PLATED WITH NICKEL.
- CAVITY CONFIRMS TO FCC RULES AND REGULATIONS PART 68,SUBPART F.



DETAIL X



PCB LAYOUT  
Ref.

RoHS Compliant



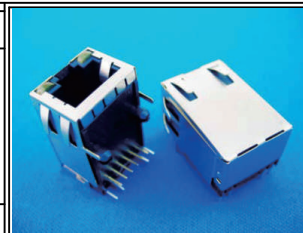
煜倫股份有限公司

www.morethanall.com

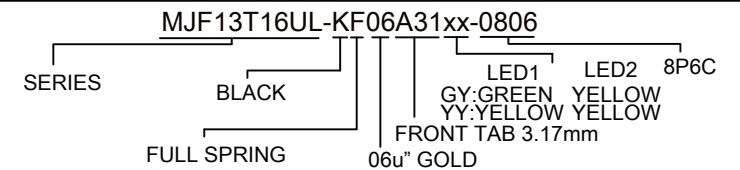
DRAWING BY CY	
CHECKED BY GENIUS	
UNIT/ mm	SCALE 1:1
DATE	
SIZE A4	P PROJECTION

TOLERANCES ARE

- X: ±
- .X: ±
- .XX: ±
- .XXX: ±
- ANG: ±



ORDER INFORMATION



DESCRIPTION: SINGLE PORT, RJ45, SHIELD WITH R & C TERMINATION

# TRANSFORMER

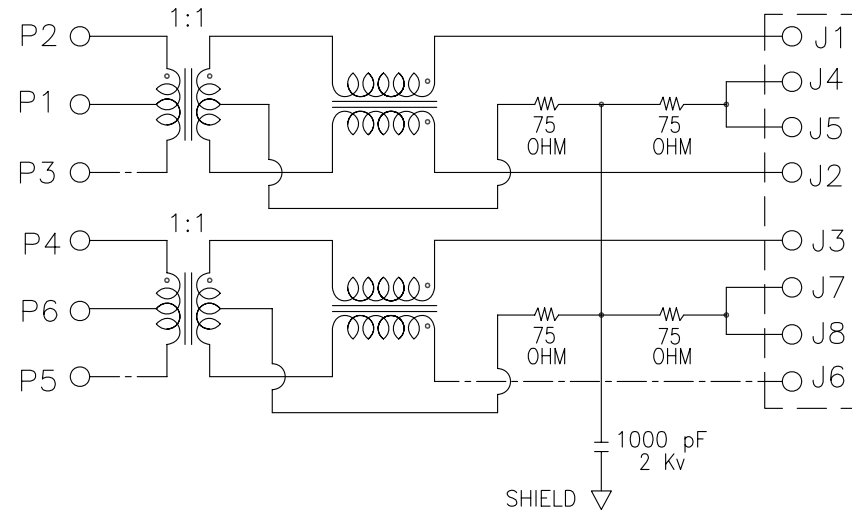
## ELECTRICAL CHARACTERISTICS

TEST NOTES: (25°±5°C)

1. TR: (100kHz, 0.1V);  
PINS:(2-3):(J1-J2)=1CT:1CT  
PINS:(4-5):(J3-J6)=1CT:1CT
2. LX: (100kHz, 100mV, 8mA, DC Bias)  
PINS: (2,3),(4,5)=400uH MINIMUM
3. DCR:  
PINS: (2-3),(J3-J6),(J1-J2)=1.0 OHMS MAXIMUM.  
PINS: (4-5)=1.2 OHMS MAXIMUM.
4. HIPOT:  
PINS(2,1,3)TO(J1,J2)=1500VAC FOR 60 SECONDS  
PINS(4,5,6)TO(J3,J6)=1500VAC FOR 60 SECONDS
6. INSERTION LOSS:  
-1.0dB MAXIMUM AT 1MHz TO 100MHz
7. RETURN LOSS:  
-20dB MINIMUM AT 1MHz TO 30MHz  
-12dB MINIMUM AT 30MHz TO 60MHz  
-12dB MINIMUM AT 60MHz TO 80MHz
8. CROSS TALK:  
-30dB MINIMUM AT 1MHz TO 100MHz
9. COMMON TO COMMON MODE REJECTION:  
-30dB MINIMUM AT 1MHz TO 100MHz

CONNECTOR SOLDER SIDE

RJ45  
CONTACT SIDE



CONNECTOR SCHEMATIC

**RoHS Compliant**

TOLERANCES ARE

**MORETHANALL**  
PCB CONNECTORS  
Cable ASSEMBLIES

煜倫股份有限公司

www.morethanall.com

DRAWING BY CY

CHECKED BY GENIUS

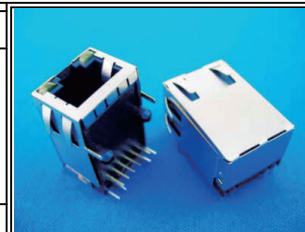
UNIT/mm SCALE 1:1

DATE

SIZE A4

PJECTION

X. ±  
.X ±  
.XX ±  
.XXX ±  
ANG ±



**ORDER INFORMATION**

**MJF13T16UL-KF06A31xx-0806**

SERIES

BLACK

FULL SPRING

LED1 LED2 8P6C  
GY:GREEN YELLOW  
YY:YELLOW YELLOW  
FRONT TAB 3.17mm  
06u" GOLD

DESCRIPTION: SINGLE PORT, RJ45, SHIELD WITH R & C TERMINATION