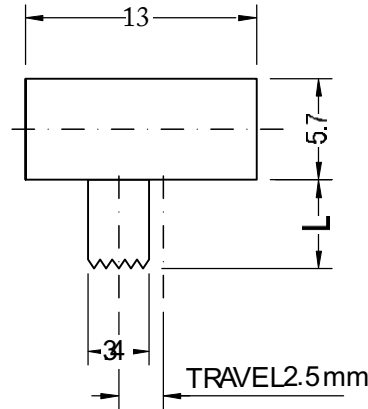


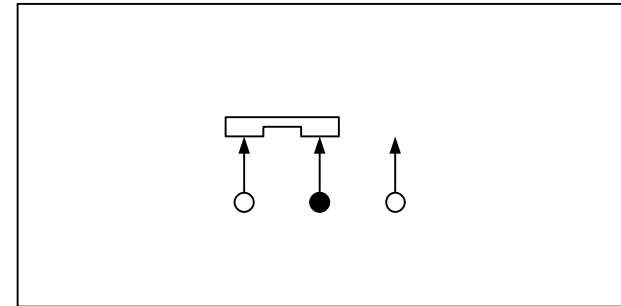
General specifications

Circuit : ON-ON(1P2T)
 Rating : D.C. 50V 0.5A
 Contact R.[max] : D.C. 5V 1A 30mΩ
 Insulation R.[min] : D.C. 500V 100MΩ
 Withstand VOL. : A.C. 500V 1minute
 Timing : Non Shorting
 Operating force : 300±100g
 Life cycle[max] : 10,000 CYCLES

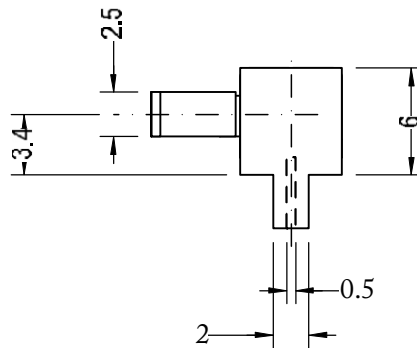
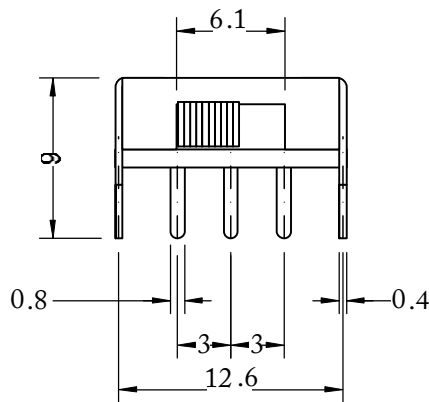
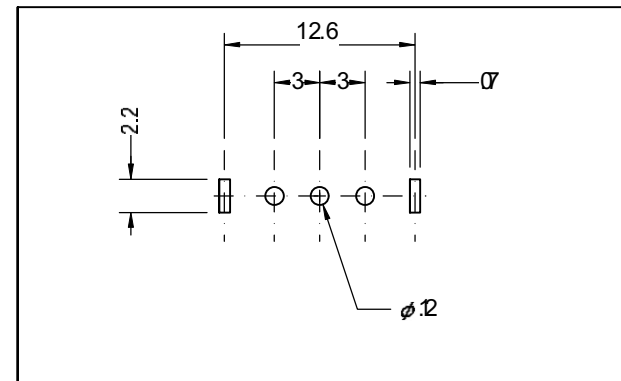


L:03~10mm

SCHEMATIC



P.C.B HOLE DETAIL



RoHS Compliant

TOLERANCES ARE

MORETHANALL
PCB CONNECTORS
Cable ASSEMBLIES

煜倫股份有限公司

www.morethanall.com

DRAWING BY CY

CHECKED BY GENIUS

UNIT / mm

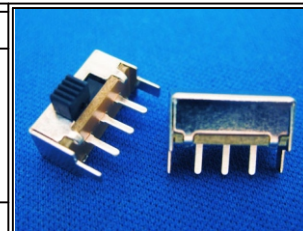
SCALE 1 : 1

DATE

SIZE A4

P PROJECTION

X, ±
.X ±
.XX ±
.XXX ±
ANG ±



ORDER INFORMATION

SLSW30-RMxx-1X03-LF

SERIES

LEADFREE

03 WAY

03:03mm

DIP 90°

10:10mm
METAL FOOT

DESCRIPTION: