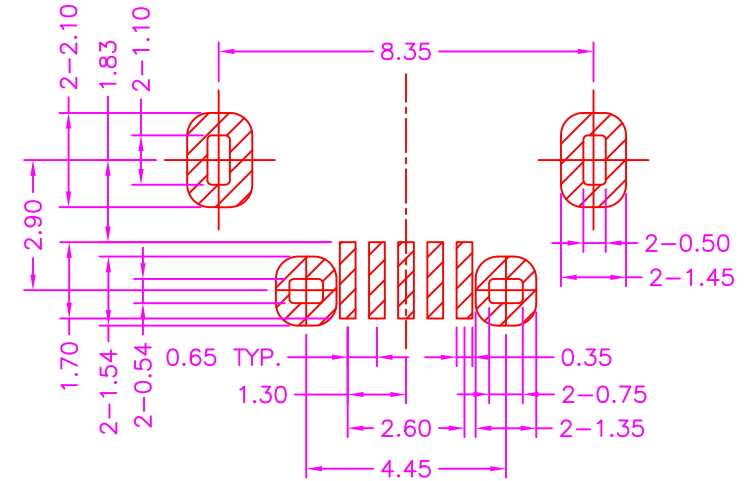
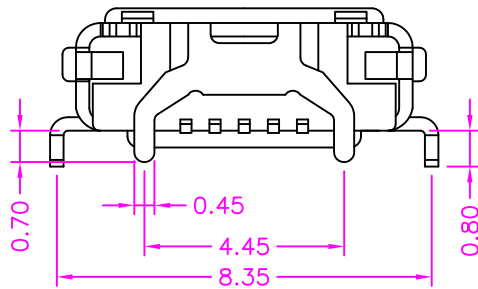
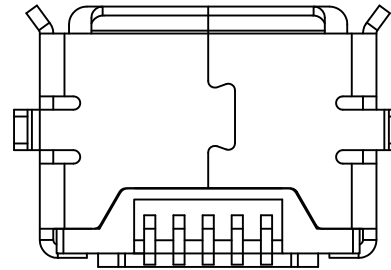
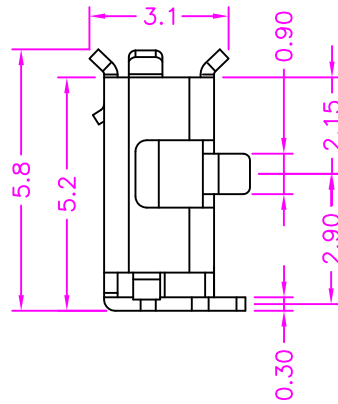
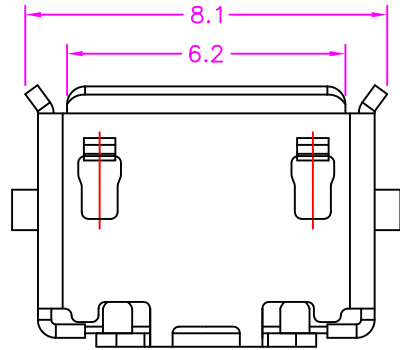
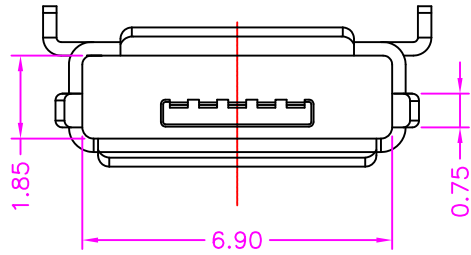


MATERIALS

HOUSING: LCP (UL 94V-0), BLACK
 SHELL: STAINLESS STEEL
 TERMINAL: COPPER ALLOY, GOLD PLATED

SPECIFICATION

CURRENT RATING: 1.8 AMP MAX (ONLY PIN 1, 5), OTHER 1 AMP MAX
 DIELECTRIC WITHSTANDING: 100V AC FOR ONE MINUTE
 CONTACT RESISTANCE: 30m OHMS MAX
 INSULATION RESISTANCE: 100M OHMS MIN AT DC 500V
 OPERATION TEMPERATURE: -25°C~+105°C



P.C.B. LAYOUT
 TOP VIEW ±0.05

RoHS Compliant

TOLERANCES ARE

MORETHANALL
 PCB CONNECTORS
 Cable ASSEMBLIES

煜倫股份有限公司

www.morethanall.com

DRAWING BY CY

CHECKED BY GENIUS

UNIT / mm

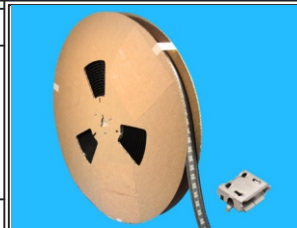
SCALE 1 : 1

DATE

SIZE A4

X, ±
 .X ± 0.30
 .XX ± 0.20
 .XXX ± 0.10
 ANG ± 5°

PPOJECTION



ORDER INFORMATION

MISB-SWMM84R-5AB-LF

SERIES

LEADFREE

5 PIN AB TYPE

FEMALE

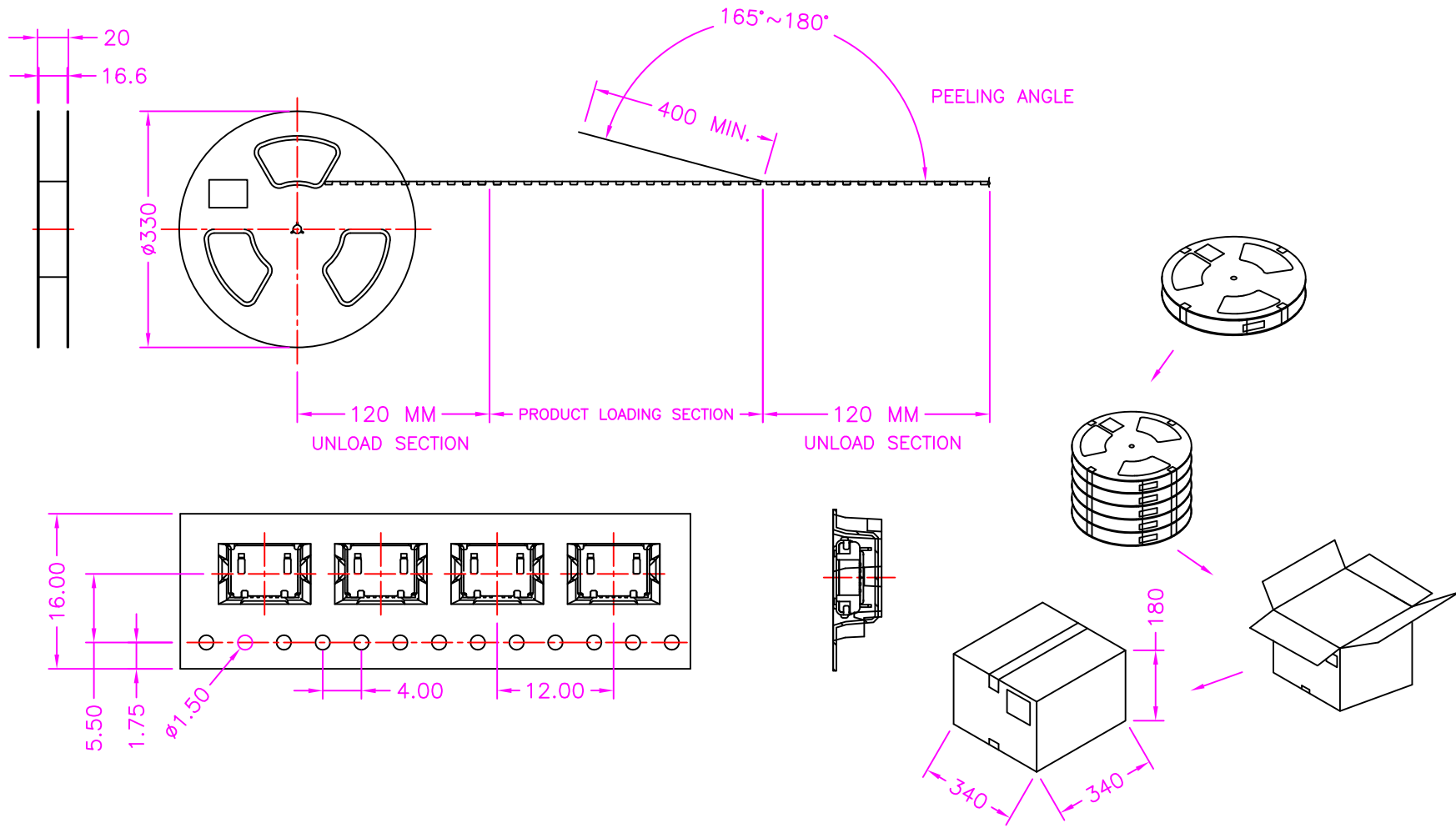
REEL

FOOT WIDTH 8.35+4.45mm

METAL FOOT / 2

90°SMT

DESCRIPTION: MICRO USB AB TYPE, PCB MOUNT, SMT, METAL SHIELD, FEMALE



NOTE: 1500PCS/REEL, 12000PCS/8 REEL/CARTON

RoHS Compliant

TOLERANCES ARE

MORETHANALL
PCB CONNECTORS
Cable ASSEMBLIES

煜倫股份有限公司

www.morethanall.com

DRAWING BY CY

CHECKED BY GENIUS

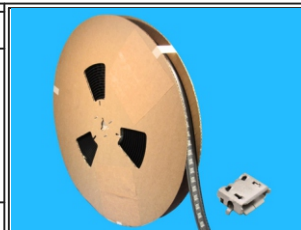
UNIT / mm SCALE 1 : 1

DATE

SIZE A4

X, ±
.X ± 0.30
.XX ± 0.20
.XXX ± 0.10
ANG ± 5°

PPOJECTION



ORDER INFORMATION

MISB-SWMM84R-5AB-LF

SERIES

FEMALE

LEADFREE
5 PIN AB TYPE

REEL

FOOT WIDTH 8.35+4.45mm

METAL FOOT / 2

90°SMT

DESCRIPTION: MICRO USB AB TYPE, PCB MOUNT, SMT, METAL SHIELD, FEMALE