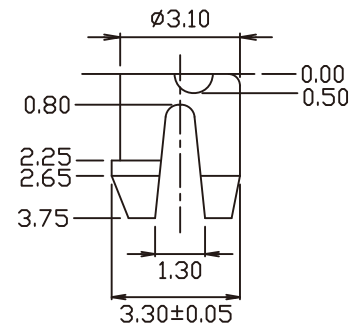
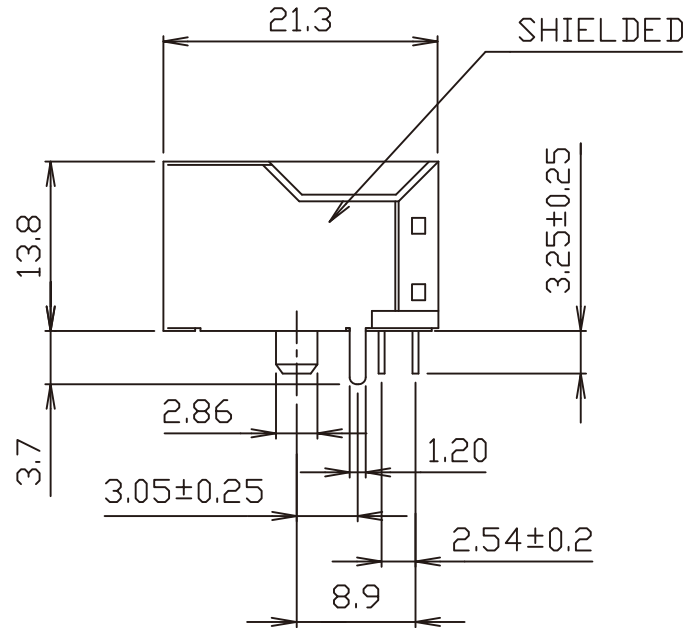
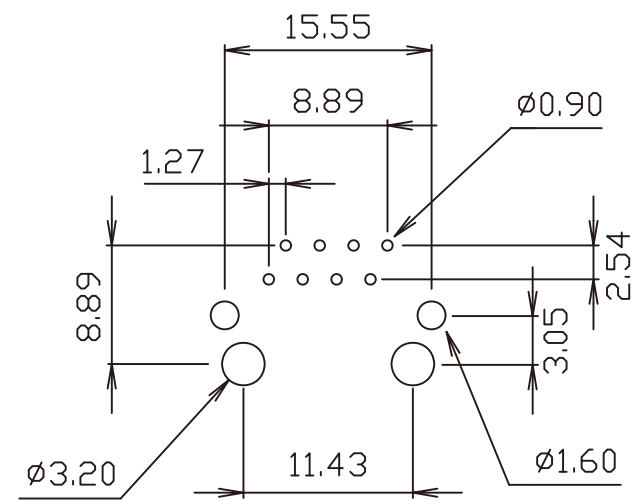


STAND OFF(H0.5mm)



DETAIL X

MATERIAL: •HOUSING-PBT POLYESTER UL94V-0 MIXED GLASS FIBER.
 STANDARD COLOR-BLACK
 •CONTACTS-0.45mm DIA. PHOS-BRONZE PLATED WITH HARD GOLD.
 •SHIELD-0.25mm THICK COPPER ALLOY, PLATED WITH NICKEL.
 CAVITY CONFIRMS TO FCC RULES AND REGULATIONS PART 68,SUBPART F.



PC Board Layout

RoHS Compliant

TOLERANCES ARE

MORETHANALL
 PCB CONNECTORS
 Cable ASSEMBLIES

煜倫股份有限公司

www.morethanall.com

DRAWING BY CY

CHECKED BY GENIUS

UNIT/mm

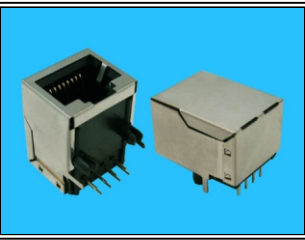
SCALE 1:1

DATE

SIZE A4

X, ±
 .X ± 0.25
 .XX ± 0.13
 .XXX ±
 ANG ±

P PROJECTION



ORDER INFORMATION

MJF13-KX06B3-0808-LF

SERIES | | | | LEADFREE
 8P8C
 REAR TAB 3.05mm
 06u" GOLD
 NON EAR
 BLACK

DESCRIPTION: 8 POSITION SHIELDED SIDE ENTRY PCB JACK