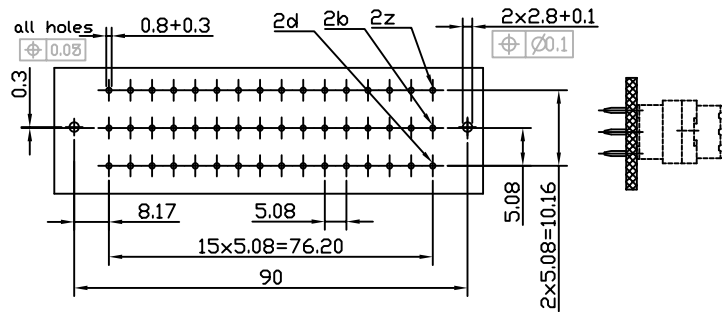
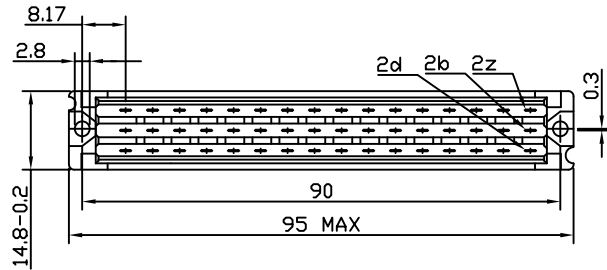
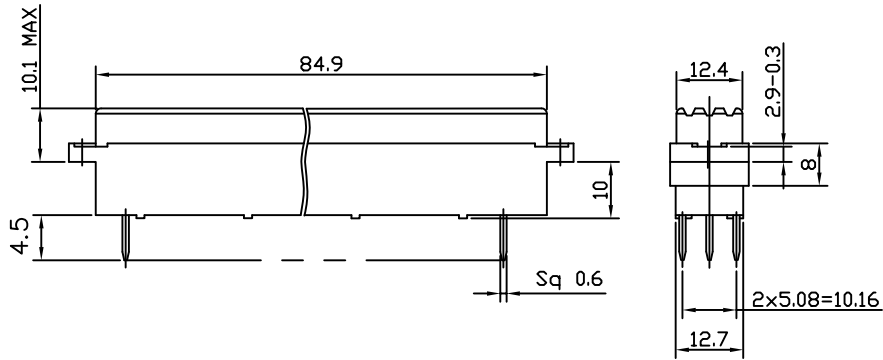
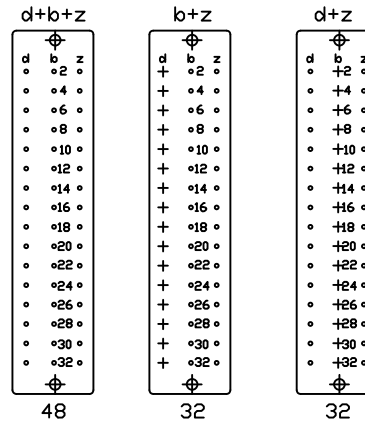


Technial data



Housing
 Contact
 Operating temperature
 Contact resistance
 Insulator resistance
 Current rating
 Withstanding voltage
 Insertion force
 Withdrawal force
 Contact Rating

PBT & 30%Class Fiber(UL94-0)
 Female : Phospher Bronze
 -55°C~+105°C
 30m(ohm)max.at DC 100mA
 1000M(ohm)min.at DC 500V
 5.6 AMP
 AC 1000V for 1 minute
 75N max
 0.15N/pin min
 Selective Gold ,Plating



Contact arrangement view from termination side

RoHS Compliant

TOLERANCES ARE

MORETHANALL
 PCB CONNECTORS
 Cable ASSEMBLIES

DRAWING BY CY

X.±

CHECKED BY GENIUS

.X±

UNIT / mm

SCALE 1 : 1

.XX±

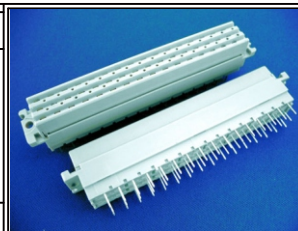
DATE

.XXX±

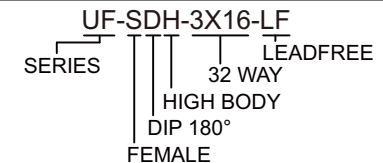
ANG ±

SIZE A4

PJECTION



ORDER INFORMATION



煜倫股份有限公司

www.morethanall.com

DESCRIPTION: DIN 41612 EUROCARD CONNECTORS