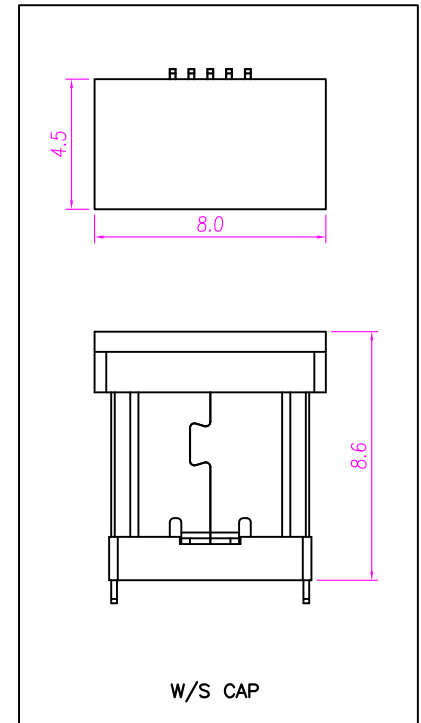
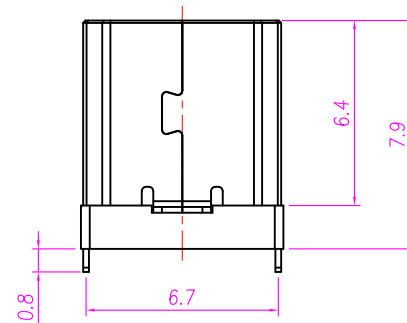
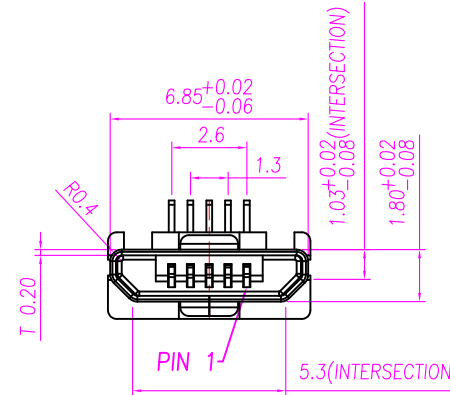
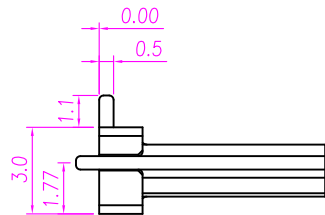
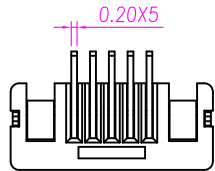


RECOMMENDED PCB LAYOUT
(TOP VIEW)



1. MATERIAL :

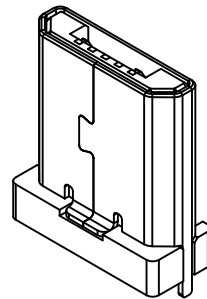
- 1-1. HOUSING : LCP UL94V-0 ; COLOR : BLACK
- 1-2. CONTACT : PHOSPHOR BRONZE
- 1-3. SHELL : STAINLESS STEEL

2. FINISH :

- 2-1. CONTACT : GOLD FLASH ON CONTACT AREA
GOLD FLASH ON OTHER AREA
- 2-2. SHELL : 可焊鍍銀

3. ENVIRONMENTAL

- 3-1. OPERATING TEMPERATURE RANGE: -20° ~ +85°
- 3-2. STORAGE TEMPERATURE RANGE: -40° ~ +85°



RoHS Compliant

TOLERANCES ARE

MORETHANALL
PCB CONNECTORS
Cable ASSEMBLIES

DRAWING BY CY

CHECKED BY GENIUS

UNIT / mm

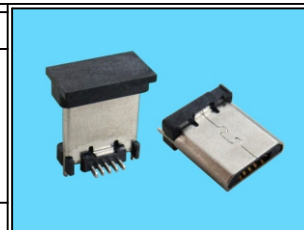
SCALE 1 : 1

DATE

SIZE A4

PPOJECTION

X, ±
.X ± 0.20
.XX ± 0.10
.XXX ± 0.05
ANG ± 1°



ORDER INFORMATION

MISB-PVM1C-5B-LF
SERIES | LEADFREE
5 PIN B TYPE
CAP
METAL FOOT
180°SMT
MALE

DESCRIPTION: MICRO USB 5PIN(M) 立式 SMT(WO LATCH)

煜倫股份有限公司

www.morethanall.com