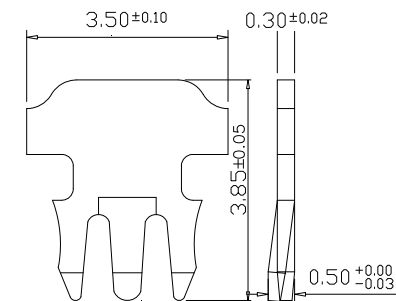


材質及商標 Material & Brand (Logo) :

- 商標 Brand (LOGO) : (空白 No Brand 客戶指定商標 Others _____)
- 塑膠材質 Housing Material : (Polycarbonate(PC) UL 94V-0 UL 94V-2)
- 金片型式 Contact Type : (三叉金片 3 prongs for SOLID wire)
- 鍍金厚度 Gold Plating : (Fμ”(Flash)
- 金片材質 Contact Material : (青銅 Bronze 磷青銅 Phosphor Bronze)
- 銅殼材質 Shield Material : 黃銅合金鍍鎳 Brass with nickel plating
- 附件選項 Option : (分線架 Sled T套 Liner)

Remark:

- 適用 24 或 26 AWG 線材。 Available for 24 or 26 AWG wire.



“3” : 3 PRONGS FOR SOLID WIRE(S)
單芯線用三叉型金片

RoHS Compliant

TOLERANCES ARE

MORETHANALL
PCB CONNECTORS
Cable ASSEMBLIES
煜倫股份有限公司

DRAWING BY CY

X, ±

CHECKED BY GENIUS

.X ± 0.20

UNIT / mm

SCALE 1 : 1

.XX ± 0.10

DATE

.XXX ±

ANG ±

SIZE A4

PPOJECTION

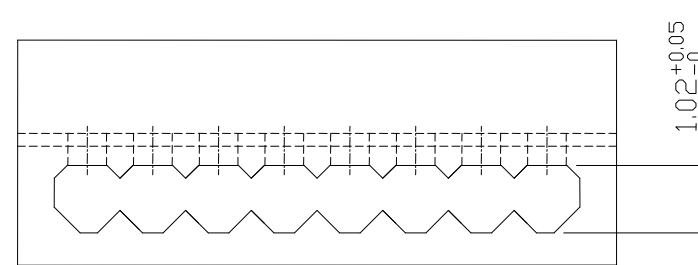
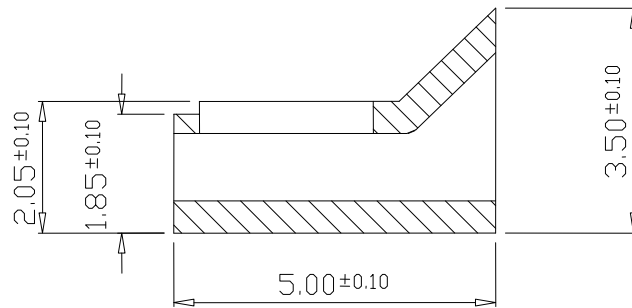
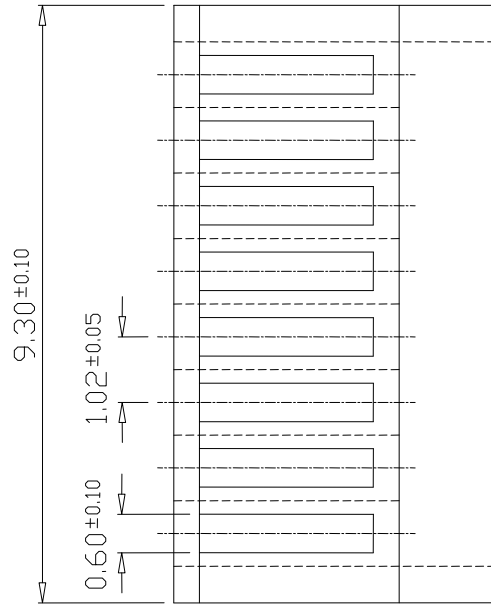


ORDER INFORMATION

MP-RF53-0808-LF
SERIES | 8P8C | LEADFREE
3 PRONGS
CAT 5
FULL METAL
ROUND OUTLET

DESCRIPTION:

www.morethanall.com



RoHS Compliant

TOLERANCES ARE

MORETHANALL
PCB CONNECTORS
Cable ASSEMBLIES

DRAWING BY CY

X. ±
.X ± 0.20

CHECKED BY GENIUS

.XX ± 0.10

UNIT / mm

SCALE 1 : 1

.XXX ±

DATE

ANG ±

SIZE A4

PPOJECTION



ORDER INFORMATION

MP-RF53-0808-LF
SERIES | 8P8C LEADFREE
3 PRONGS
CAT 5
FULL METAL
ROUND OUTLET

煜倫股份有限公司

www.morethanall.com

DESCRIPTION: