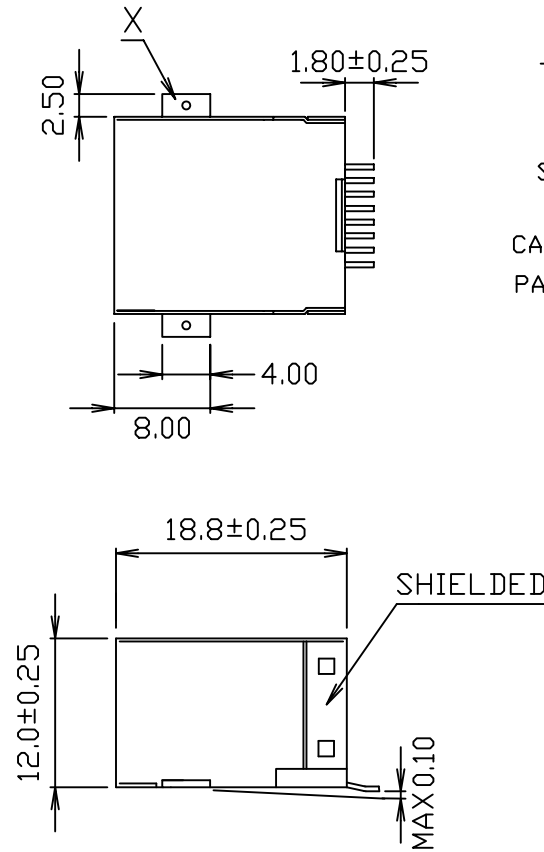
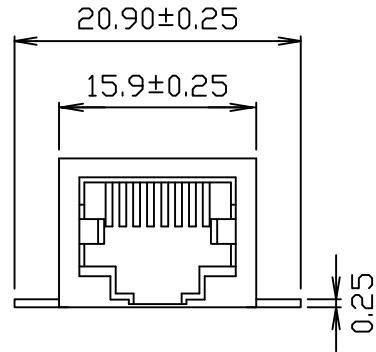
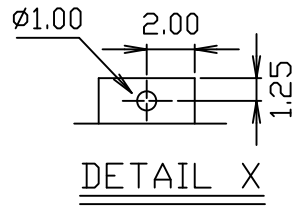
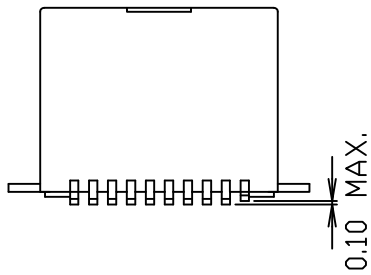


COPLANARITY:  
 THE MAXIMUM DISTANCE (0.10mm)  
 BETWEEN LOWEST AND  
 HIGHEST PIN WHEN  
 BOTTOM OF PART PUT  
 ON A FLAT SURFACE



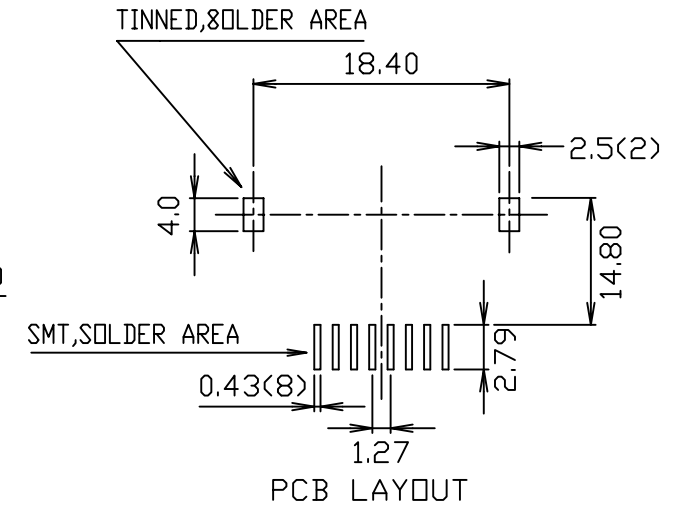
MATERIALS:

HOUSING-DSM STANYL TE250F6 (NYΔON-46)  
 HEAT DEFLECTION TEMP.290°  
 BLACK 00ΔOR, UL94V-0  
 OR-NYΔON ZYTEL FR-52  
 HEAT DEFLECTION TEMP.278°  
 BLACK 00ΔOR, UL94V-0

TERMINAL-0.35mm THICK PHOS-BRONZE PLATED  
 WITH HARD GOLD AND TIN/LEAD  
 IN SOLDER AREA.

SHIELD-0.25mm THICK COPPER ALLOY,  
 PLATED WITH TIN-LEAD.

CAVITY CONFIRMS TO FCC RULES AND REGULATIONS  
 PART 68,SUBPART F.



RoHS Compliant

TOLERANCES ARE

**MORETHANALL**  
 PCB CONNECTORS  
 Cable ASSEMBLIES

煜倫股份有限公司

www.morethanall.com

DRAWING BY CY

CHECKED BY GENIUS

UNIT / mm

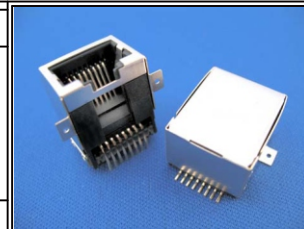
SCALE 1 : 1

DATE

SIZE A4

PPOJECTION

X. ±  
 .X ±  
 .XX ±  
 .XXX ±  
 ANG ±



ORDER INFORMATION

MJWF12-KX06-0808-LF

SERIES

8P8C

06u" GOLD

NON EAR

BLACK

LEADFREE

DESCRIPTION: 10POSITION SIDE ENTRY SMT TYPE VERY LOW PROFILE, SHIELDED PCB JACK