

NOTE:

1.MATERIAL:

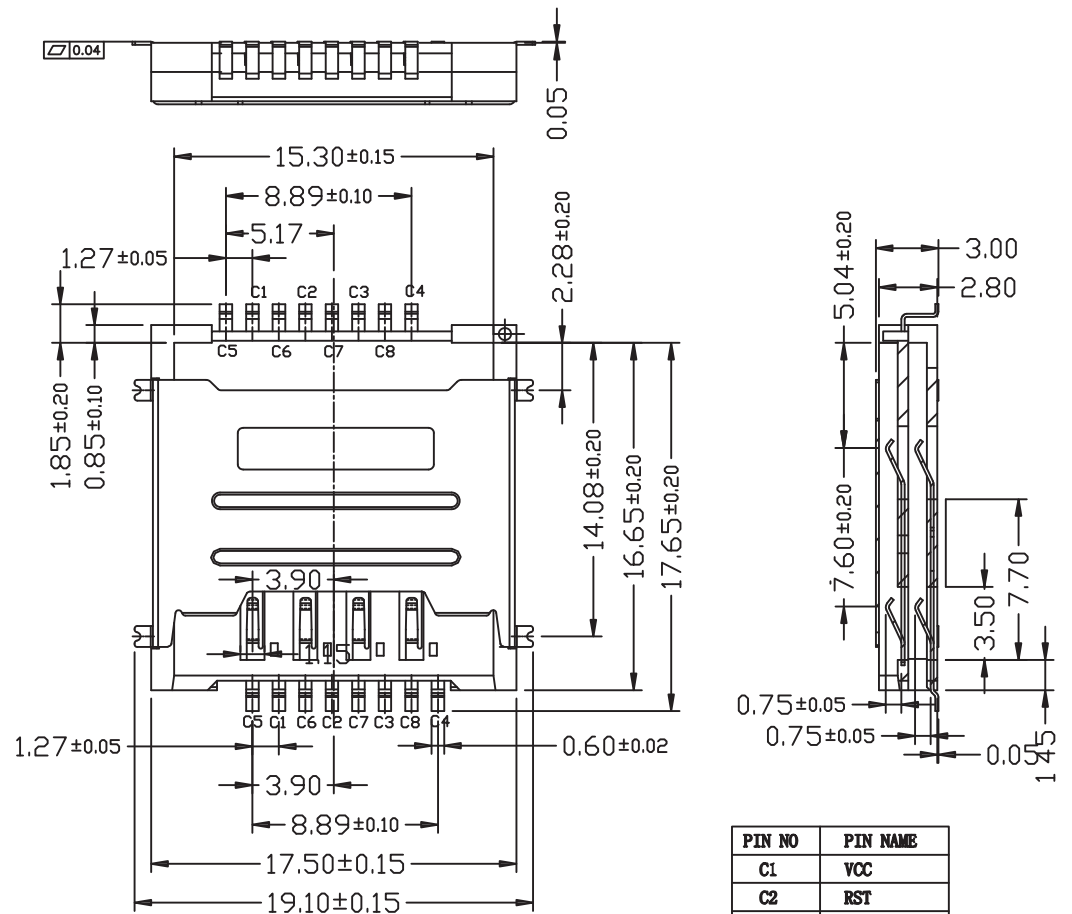
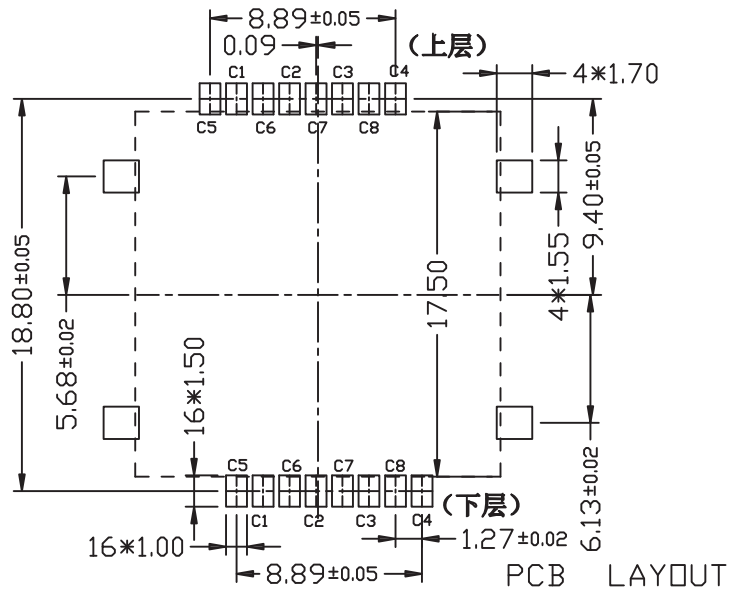
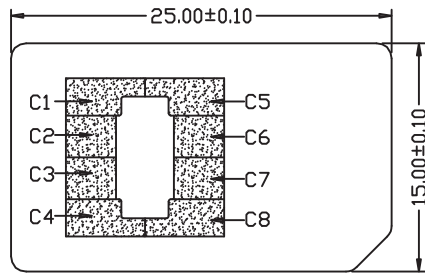
- 1.1 HOUSING: HIGH THERMOPLASTIC ,UL 94V-0 COLOR: BLACK.
- 1.2 CONTACT: 5191R-H,T=0.15±0.01;
- 1.3 SHELL: C2680R-H,T=0.15±0.01;

2.FINISH: 2.1 CONTACT: GOLD OVER NICKEL

- 2.2 SHELL: NICKEL OVER ALL OVER,
G/F OVER SOLDER AREA;

3.RATING: OPERATING VOLTAGE: 30V

- CURRENT RATING: 0.5A
- OPERATING TEMPERATURE: -20°C~+85°C



PIN NO	PIN NAME
C1	VCC
C2	RST
C3	CLK
C4	Reserved
C5	GND
C6	VPP
C7	I/O
C8	Reserved

RoHS Compliant

TOLERANCES ARE

MORETHANALL
PCB CONNECTORS
Cable ASSEMBLIES

煜倫股份有限公司

www.morethanall.com

DRAWING BY CY

CHECKED BY GENIUS

UNIT/mm

SCALE 1:1

DATE

SIZE A4

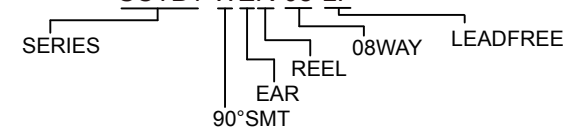
PJECTION

X. ±
X ± 0.10
.XX ± 0.05
.XXX ±
ANG ±



ORDER INFORMATION

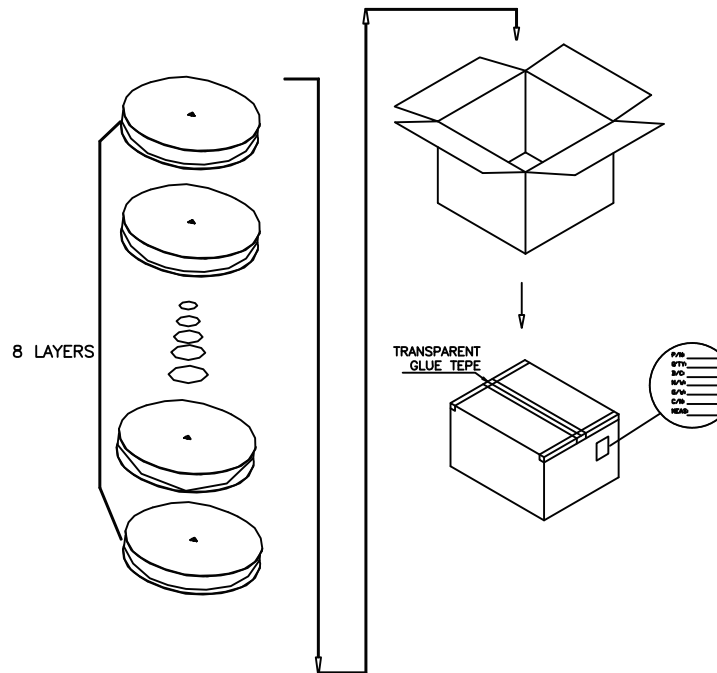
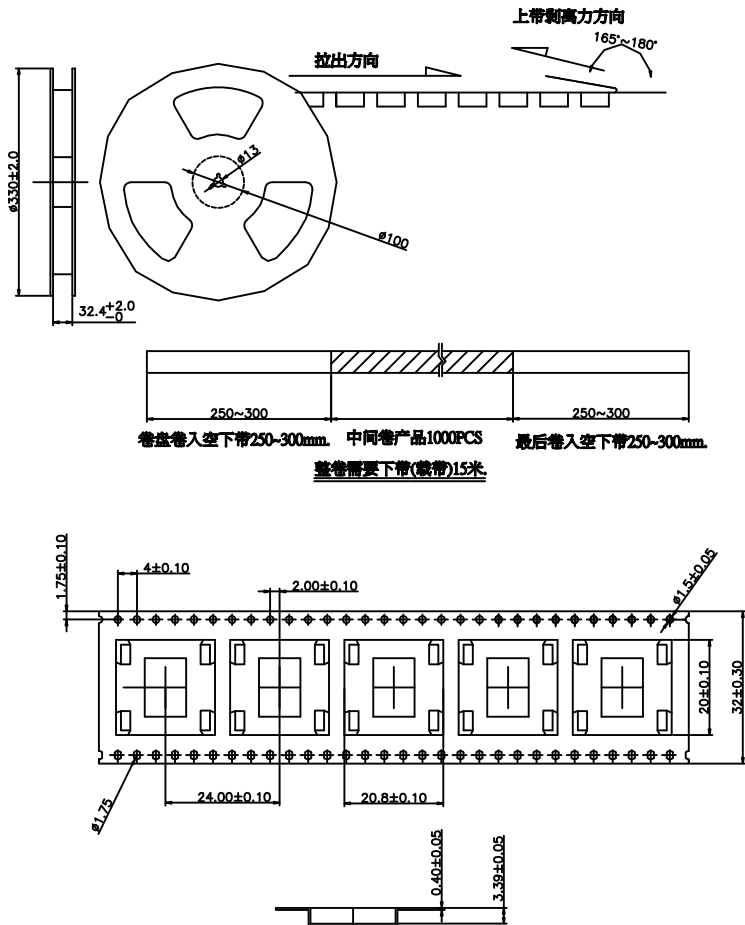
SCTB1-WER-08-LF



DESCRIPTION:

NOTES:

1. PRIMARY PACKING: 700PCS UNITS/REEL;
2. SECONDARY PACKING: 8 REELS/CARTON(5600PCS PCS/CARTON)
3. PEELING RESISTANCE: 0.2~0.8N(20.4gf~81.6gf).
4. PEELING ANGLE: 165°~180°
5. PEELING SPEED: 300mm/minutes.
6. CARTON SIZE: 350*350*250(mm)



1.包装方式:

- 1.1. 先将下带(载带)送入包装机轨道中,并将上带(盖带)贴合在上面,其中初始200~250mm空槽不要放产品,然后将产品如图所示方向依次放入下带内,每个槽放1PC,每卷盘共包装产品700PCS,最后需留260~300mm空槽不放产品.
- 1.2. 用膠帶將下帶粘在一起,在卷盤貼上標籤,註明料號,日期,數量等.
- 1.3. 如圖示,先把外箱底部封好放紙,然後包裝有產品卷盤以標籤朝上方式平放入外箱中,最後用膠帶封箱,並在側面的外箱標籤上註明相關內容.
- 1.4. 一塊板放3層紙箱,每層放9箱,在堆疊好的紙箱外用透明膠帶封八個棱角,再用保鮮帶裹10層.(此點針對走海運的包裝.)

注意:

1. 防止產品被反, 漏裝, 禁止裝至產品偏斜;
2. 產品在下帶中的方向須如圖所示

RoHS Compliant

MORETHANALL
PCB CONNECTORS
Cable ASSEMBLIES

煜倫股份有限公司

www.morethanall.com

DRAWING BY CY

CHECKED BY GENIUS

UNIT/ mm

SCALE 1:1

DATE

SIZE A4

PJECTION

TOLERANCES ARE

- X, ±
- .X ± 0.10
- .XX ± 0.05
- .XXX ±
- ANG ±



ORDER INFORMATION

SCTB1-WER-08-LF

SERIES

REEL

08WAY

LEADFREE

EAR

90°SMT

DESCRIPTION: SIM CARD Connector Double-deck Type Packing SPEC.