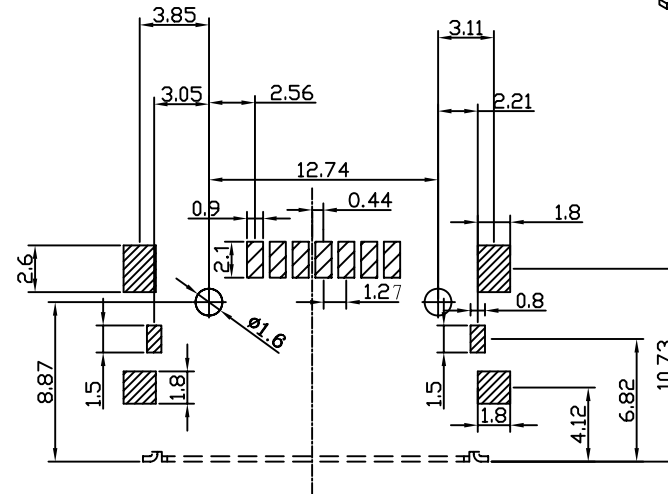
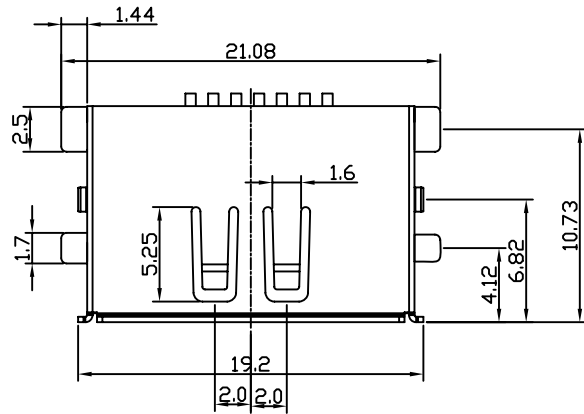
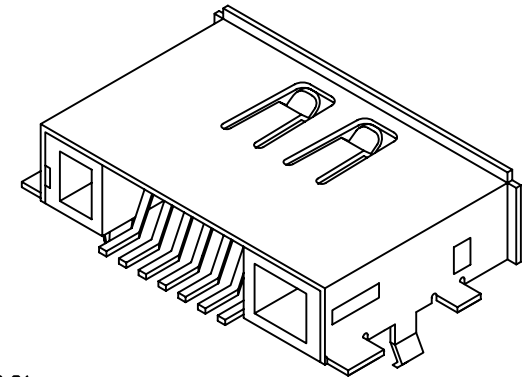
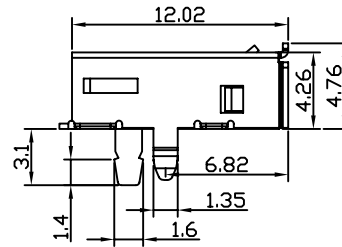
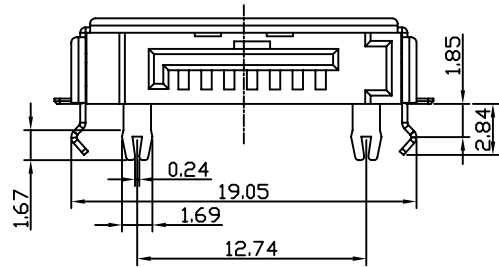


# APPLICATION AND FEATURES

1. Compact and low profile design for saving space
2. High reliable contact with low insertion force.
3. Straight and right angle type facilitate engineering design.
4. Mate with flexible Printed Circuit.

# SPECIFICATIONS

Current Rating : 1 Amp  
 Insulator resistance : 1000 Megohms min .  
 500v DC for 1 minutes.  
 Contact resistance : 20 m ohm Max.  
 Dielectric withstanding : AC 500 v for 1 minutes.  
 Operating Temperature : -40°C ~ 105°C  
 Contact Material : Brass  
 insulator Material : Polyester, UL 94v-0  
 standard : LCP



RECOMMENDED PCB LAYOUT(T=1.6mm)

**RoHS Compliant**

TOLERANCES ARE



煜倫股份有限公司

www.morethanall.com

DRAWING BY CY

CHECKED BY GENIUS

UNIT / mm

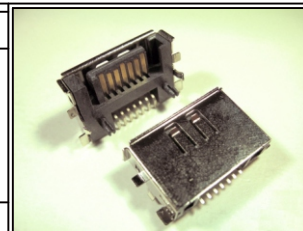
SCALE 1 : 1

DATE

SIZE A4

PPOJECTION

X, ±  
 .X ±  
 .XX ±  
 .XXX ±  
 ANG ±



**ORDER INFORMATION**

SATA-PWAMP-07-LF

SERIES | | | | LEADFREE  
 | | | | 07 WAY  
 | | | | POST  
 | | | | METAL  
 MALE | | | | UPPER CONTACT  
 90°SMT

DESCRIPTION: