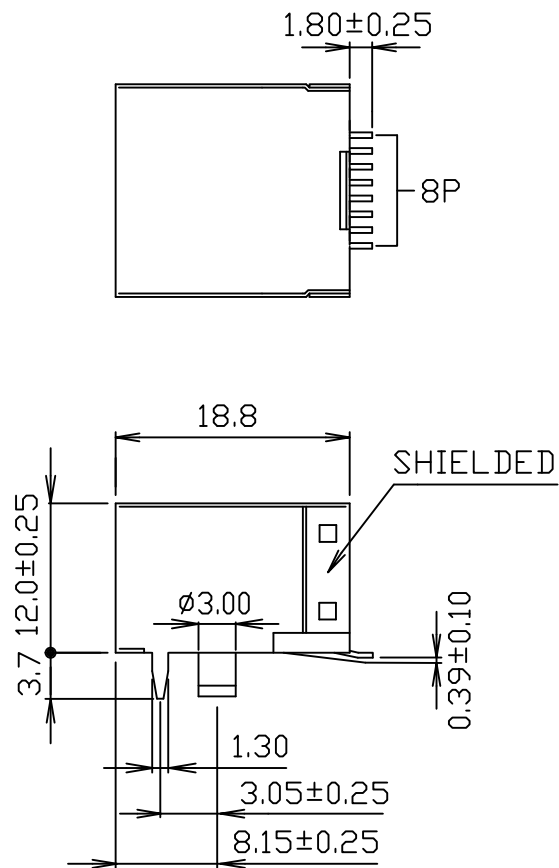
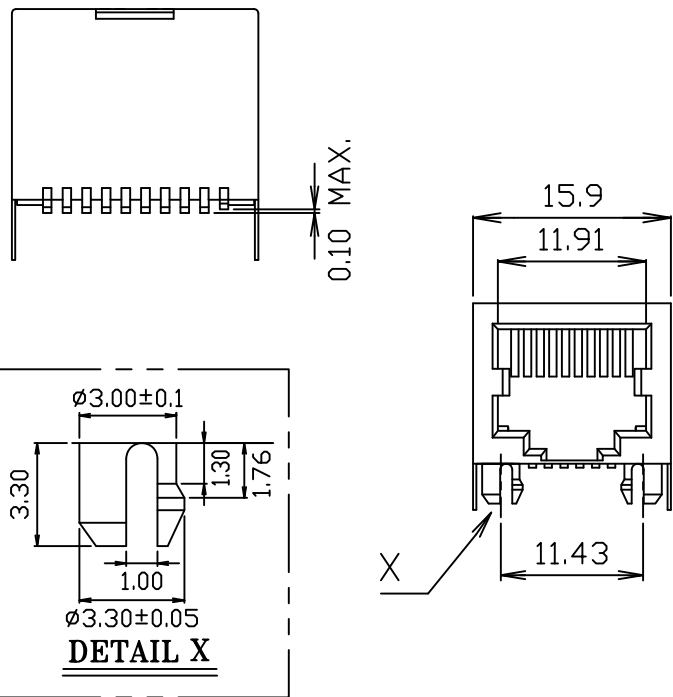
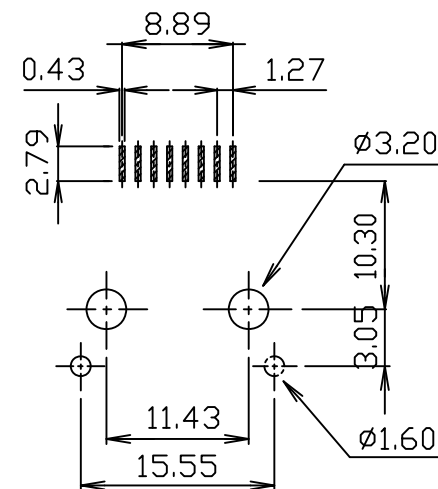


COPLANARITY:
 THE MAXIMUM DISTANCE (0.10mm)
 BETWEEN LOWEST AND
 HIGHEST PIN WHEN
 BOTTOM OF PART PUT
 ON A FLAT SURFACE



MATERIALS:

- HOUSING-NYLON ZYTEL FR-50
 HEAT DEFLECTION TEMP.255°
 BLACK ODDOR, UL94V-0
 - CONTACTS -0.35mm THICK PHOS-BRONZE PLATED
 WITH HARD GOLD AND TIN/LEAD
 IN SOLDER AREA.
 - SHIELD-0.25mm THICK COPPER ALLOY,
 PLATED WITH NICKEL.
- CAVITY CONFIRMS TO FCC RULES AND REGULATIONS
 PART 68,SUBPART F.



PC Board Layout

RoHS Compliant

TOLERANCES ARE

MORETHANALL
 PCB CONNECTORS
 Cable ASSEMBLIES

DRAWING BY CY

X, ±
 .X ± 0.25
 .XX ± 0.13
 .XXX ± 0.05
 ANG ±

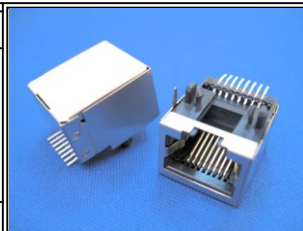
CHECKED BY GENIUS

UNIT / mm SCALE 1 : 1

DATE

SIZE A4

P PROJECTION



ORDER INFORMATION

MJWF12-KX06A3-0808-LF

SERIES	FRONT TAB 3.05mm	LEADFREE
BLACK	8P8C	
06u" GOLD		
NON EAR		

DESCRIPTION: 10POSITION SIDE ENTRY SMT TYPE VERY LOW PROFILE,
 SHIELDED PCB JACK

煜倫股份有限公司

www.morethanall.com