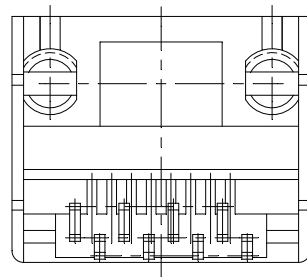
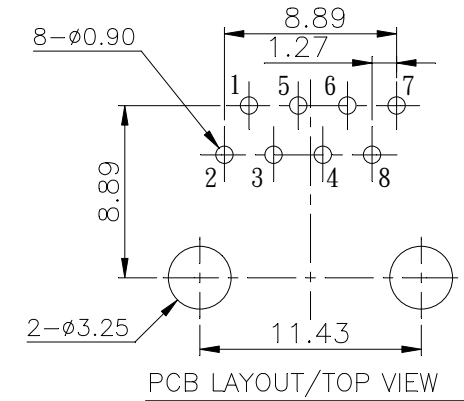
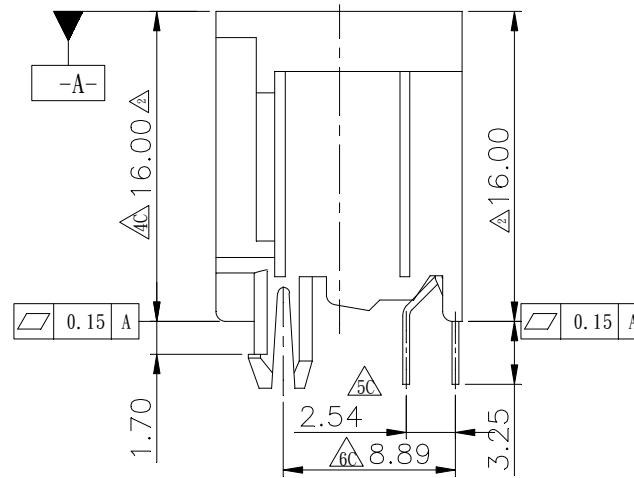
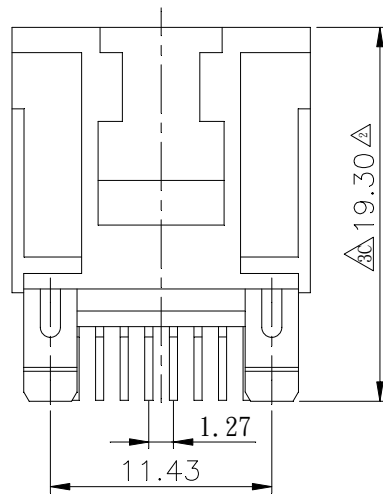


MATERIALS:  
 PLASTIC HOUSING: ENGINEERING THERMOPLASTIC  
 FLAMMABILITY RATING UL 94V-0.  
 COLOR:GRAY(431C)  
 CONTACTS: PHOSPHOR BRONZE  
 PLATING: GOLD PLATING OVER NICKEL IN CONTACT.  
 MATTE TIN PLATING OVER NICKEL IN SOLDER AREA.



RoHS Compliant

TOLERANCES ARE

**MORETHANALL**  
 PCB CONNECTORS  
 Cable ASSEMBLIES

DRAWING BY CY

X. ± 0.50

CHECKED BY GENIUS

.X ± 0.38

UNIT / mm

SCALE 1 : 1

.XX ± 0.25

DATE

.XXX ± 0.10

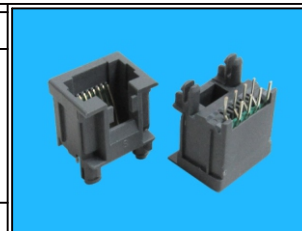
ANG ± 3°

煜倫股份有限公司

www.morethanall.com

SIZE A4

PPOJECTION



ORDER INFORMATION

MJD16C5-GX15-0808-LF

SERIES

LEADFREE

8P8C

15u" GOLD

NON EAR

GRAY

DESCRIPTION: TOP ENTRY PCB JACK(P.C.B T=1.6mm)CAT.5