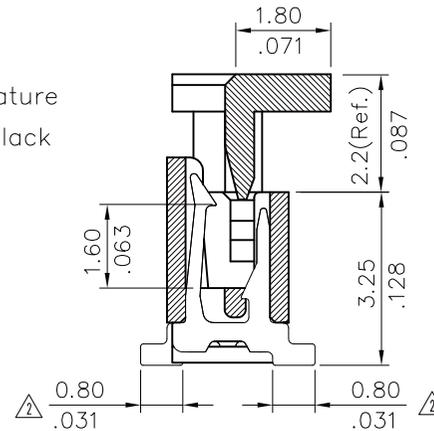


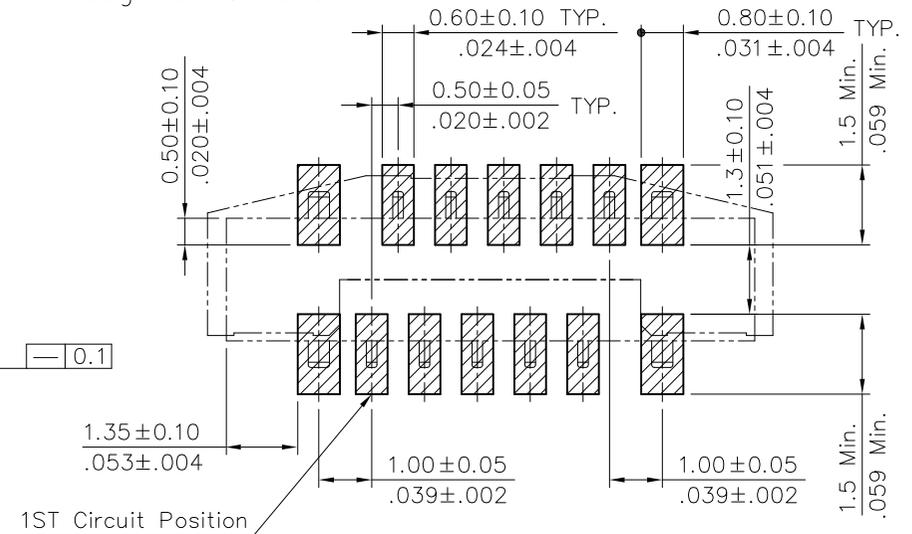
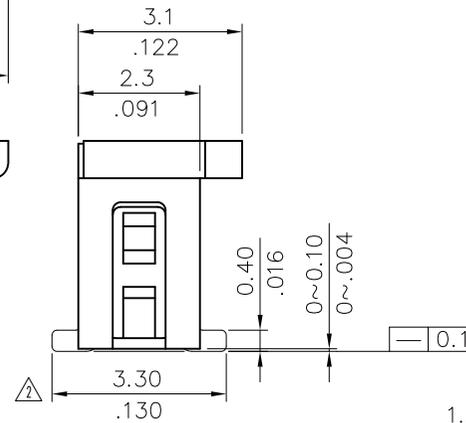
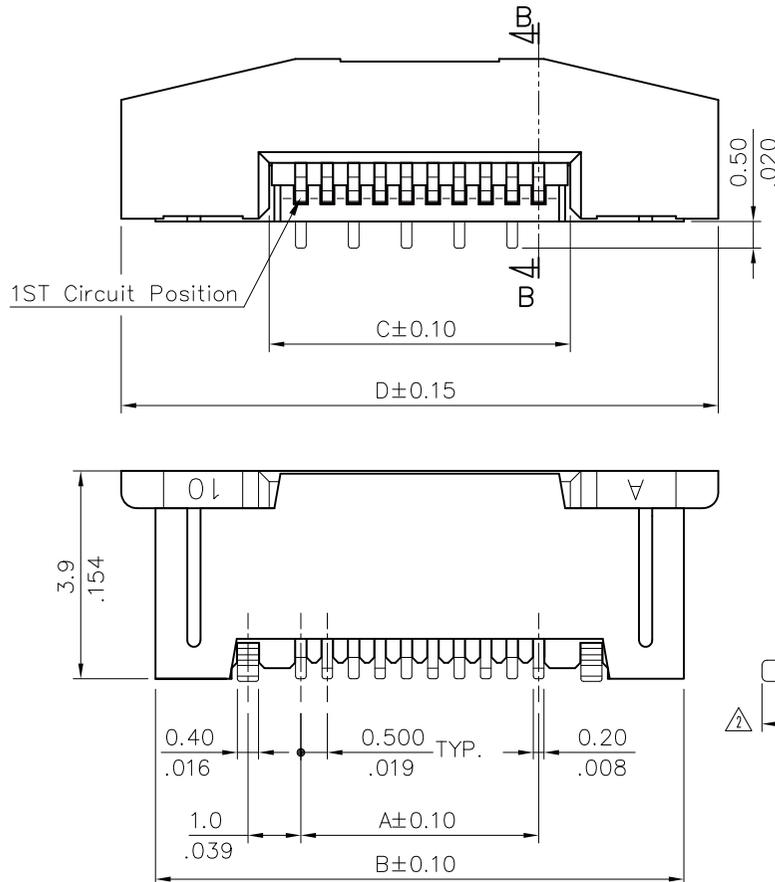
Notes :

- * Body : NYLON 9T With 33% GF. UL 94V-0, Color Nature
- △ * Slider : NYLON 6T With 30% GF. UL 94V-0, Color Black
- * Contact : Phosphor Bronze
- * Fixed tab : Brass, With Matte Tin plated
- * For Lead-Free IR Reflow process



B-B SEC.

A = 0.50 x No. of Spaces
 B = A + 5.5
 C = A + 1.2
 D = A + 6.8
 * Available in 4 through 50 circuits



Sold Pad Pattern

RoHS Compliant

TOLERANCES ARE



煜倫股份有限公司

www.morethanall.com

DRAWING BY CY

CHECKED BY GENIUS

UNIT / mm

SCALE 1 : 1

DATE

SIZE A4

PJECTION

X, ±
 .X ± 0.15
 .XX ± 0.10
 .XXX ± 0.05
 ANG ±



ORDER INFORMATION

FPV-VZAL39GR-xx-LF
 SERIES | | | | | | | | | | LEADFREE
 180°SMT | | | | | | | | | | 04-50WAY
 ZIF | | | | | | | | | | REEL
 SINGLE CONTACT | | | | | | | | | | GOLD
 | | | | | | | | | | HIGH 3.9mm
 | | | | | | | | | | L TYPE FOOT POSITION

DESCRIPTION:

