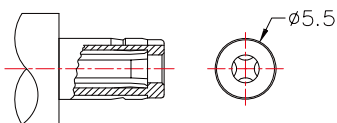


*** MATERIAL**

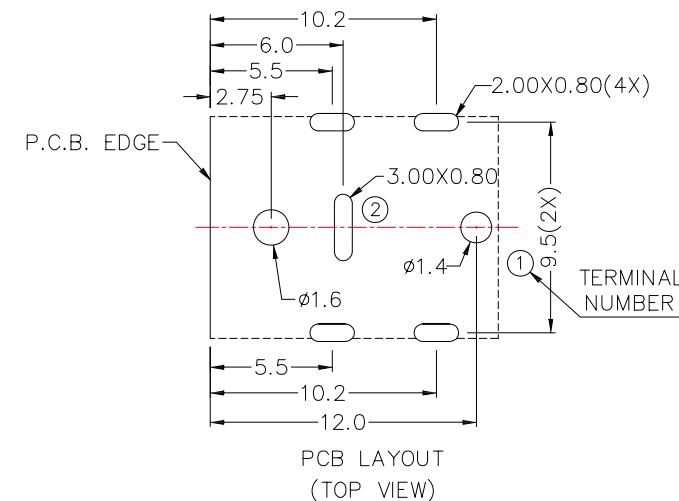
TERMINAL 1 : BRASS
 TERMINAL 2 : PHOSPHOR BRONZE
 STOPPER : C.R.STEEL
 SHIELD-A : C.R.STEEL
 SHIELD-B : STAINLESS STEEL
 HOUSING : PA6T E630NK
 COVER : PA6T E630NK



DC MATE PLUG

RATING: DC 20V 10A

MODEL NO.	DCJ-R20MM10A-25
SCHEMATIC	
CENTER PIN	$\phi 2.5\text{mm}$



RoHS Compliant



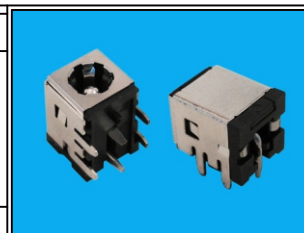
煜倫股份有限公司

www.morethanall.com

DRAWING BY CY
 CHECKED BY GENIUS
 UNIT/mm SCALE 1:1
 DATE
 SIZE A4 PPROJECTION

TOLERANCES ARE

X, ±
 .X ±
 .XX ±
 .XXX ±
 ANG ±



ORDER INFORMATION

DCJ-R20MM10A-25-LF
 SERIES | | | | LEADFREE
 | | | | 2.50
 | | | | 10Amp
 | | | | METAL FOOT
 | | | | POST 2.75mm
 | | | | DIP 90°

DESCRIPTION: