

5. SPECIFICATIONS:

MECHANICAL
 - UNMATING FORCE :
 - DURABILITY :
 - CONTACT MATERIAL :
 - INSULATOR MATERIAL :

15g MIN. PER CONTACT
 500 CYCLES MINIMUM
 BRASS
 HIGH TEMPERATURE THERMOPLASTIC
 BLACK, UL94V-0

- CLIP MATERIAL :
 - CONTACT PLATING :
 - CLIP PLATING :

BRASS
 SEE ORDERING NOMENCLATURE
 0.0038 [150uin] TIN OVER
 0.0013 [50uin] NICKEL

ENVIRONMENTAL

- OPERATION TEMPERATURE RANGE :

-40 °C TO 105°C

ELECTRICAL

- VOLTAGE RATING :
 - DIELECTRIC WITHSTANDING
 VOLTAGE
 - INSULATOR RESISTANCE :
 - CONTACT RESISTANCE :

30V DC MAX.
 500V DC FOR 1 MIN
 >1000 MEGOHMS @ 250 Vrms
 <35 MILLIOHMS
 <15 MILLIOHMS CHANGE
 AFTER INITIAL CYCLE
 2AMPS

- CURRENT RATING :

4. I.R. OR VAPOR PHASE SOLDERING COMPATIBLE

3. RECOMMENDED PCB THICKNESS 1.45 - 1.70 [0.057-.067]

2. MEETS PERFORMANCE REQUIREMENTS OF THE SERIAL ATA2 SPECIFICATION.

1. MEETS THE REQUIREMENTS OF DIRECTIVE 2011/65/EU OF THE EUROPEAN PARLIAMENT AND OF THE COUNCIL OF 03 JANUARY 2011 ON THE RESTRICTION OF THE USE OF CERTAIN HAZARDOUS SUBSTANCES IN ELECTRICAL AND ELECTRONIC EQUIPMENT (RoHS 2.0).

NOTES : UNLESS OTHERWISE SPECIFIED

MORETHANALL
 PCB CONNECTORS
 Cable ASSEMBLIES

煜倫股份有限公司

www.morethanall.com

RoHS Compliant

DRAWING BY CY

CHECKED BY GENIUS

UNIT/ mm

SCALE 1 : 1

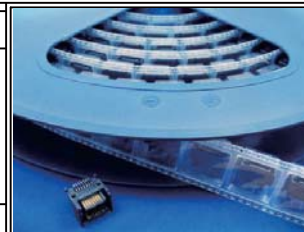
DATE

SIZE A4

P PROJECTION

TOLERANCES ARE

X. ±
 .X ±
 .XX ±
 .XXX ±
 ANG ±

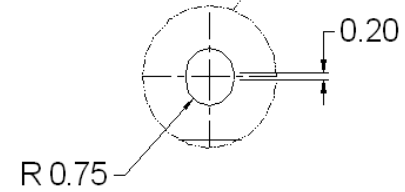
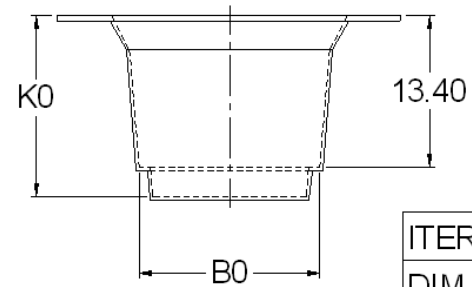
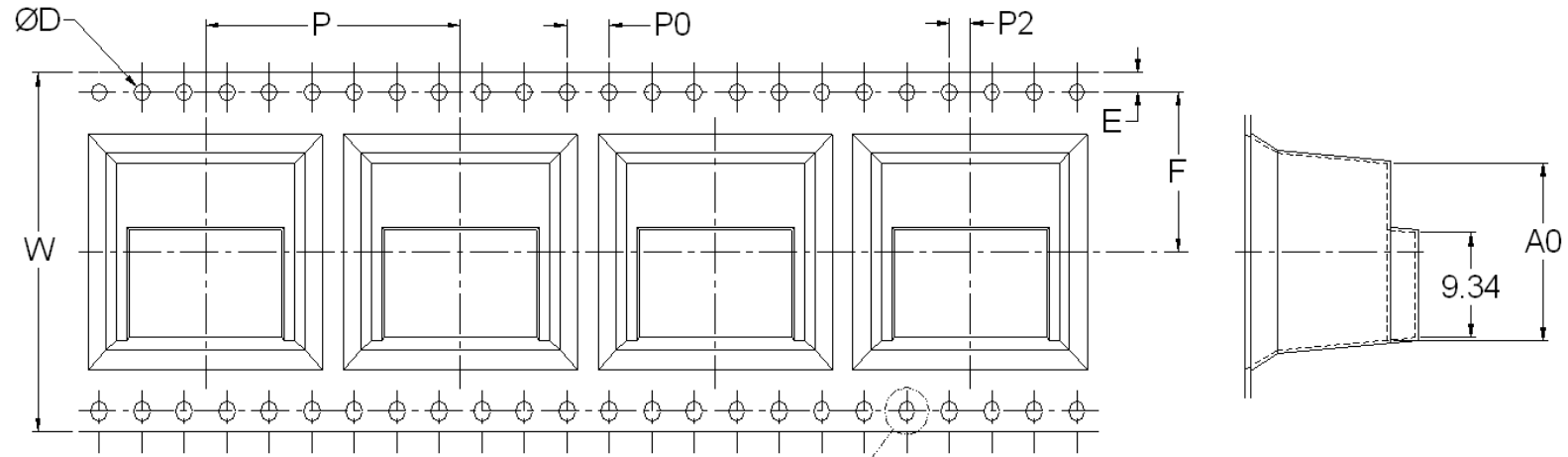


ORDER INFORMATION

SATAB1-PWAR-07-LF

SERIES | | | | LEADFREE
 | | | | 07WAY
 | | | | REEL
 | | | | UPPER CONTACT
 | | | | 90°SMT
 | | | | MALE

DESCRIPTION:

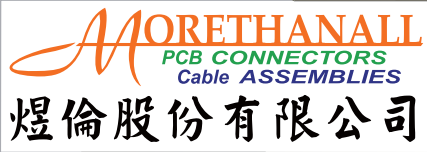


ITEM	W	A0	B0	K0	P	F	E	D	P0	P2	T
DIM.	32.0	15.73	16.84	16.0	24.0	14.2	1.75	1.50	4.00	2.00	0.50
TOL.	+0.30 -0.30	+0.15 -0.15	+0.15 -0.15	+0.10 -0.10	+0.10 -0.10	+0.10 -0.10	+0.10 -0.10	+0.10 -0.00	+0.10 -0.10	+0.15 -0.15	+0.05 -0.05

- 10 sprocket hole pitch cumulative tolerance ± 0.20 mm.
- Carrier camber not to exceed 1mm in 250mm.
- A0 and B0 measured on a plane 0.3mm above the bottom of the pocket.
- K0 measured from a plane on the inside bottom of the pocket to the top surface of the carrier.
- All dimension meet EIA-481-C requirements.
- Material: Transparent conductive Polystyrene.
- Thickness: $0.5\text{mm} \pm 0.05\text{mm}$.
- Packing length per 15" reel: 6.2 meters.
- Components loader per 15" reel: 200 Pcs.
- Not to dimension angle is 5° .

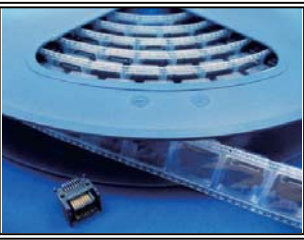
RoHS Compliant

TOLERANCES ARE



DRAWING BY CY
 CHECKED BY GENIUS
 UNIT/ mm SCALE 1:1
 DATE

X, \pm
 .X, \pm
 .XX, \pm
 .XXX, \pm
 ANG, \pm



ORDER INFORMATION

SATAB1-PWAR-07-LF
 SERIES | | | | | LEADFREE
 | | | | | 07WAY
 | | | | | REEL
 | | | | | UPPER CONTACT
 | | | | | 90°SMT
 | | | | | MALE

www.morethanall.com

SIZE A4 PROJECTION

DESCRIPTION: