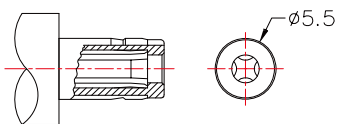
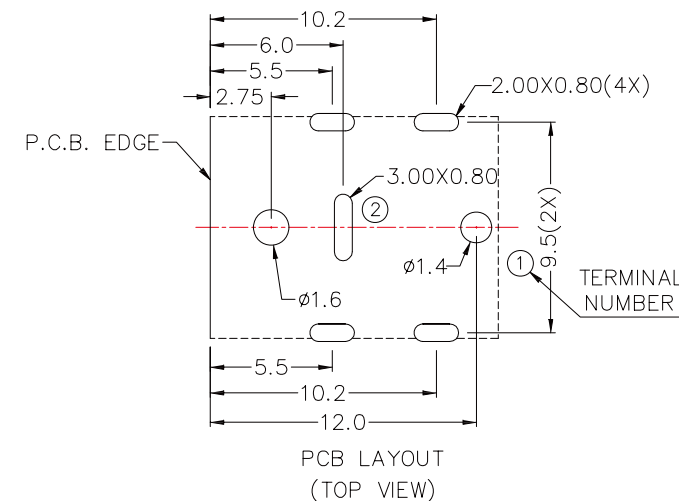


*** MATERIAL**

TERMINAL 1 : BRASS
 TERMINAL 2 : PHOSPHOR BRONZE
 STOPPER : C.R.STEEL
 SHIELD-A : C.R.STEEL
 SHIELD-B : STAINLESS STEEL
 HOUSING : PA6T E630NK
 COVER : PA6T E630NK



DC MATE PLUG
RATING: DC 20V 10A

MODEL NO.	DCJ-R20MM10AR-25
SCHEMATIC	
CENTER PIN	∅2.5mm

RoHS Compliant



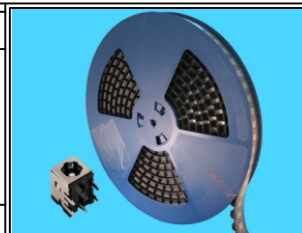
煜倫股份有限公司

www.morethanall.com

DRAWING BY CY
 CHECKED BY GENIUS
 UNIT/mm SCALE 1:1
 DATE
 SIZE A4 PPROJECTION

TOLERANCES ARE

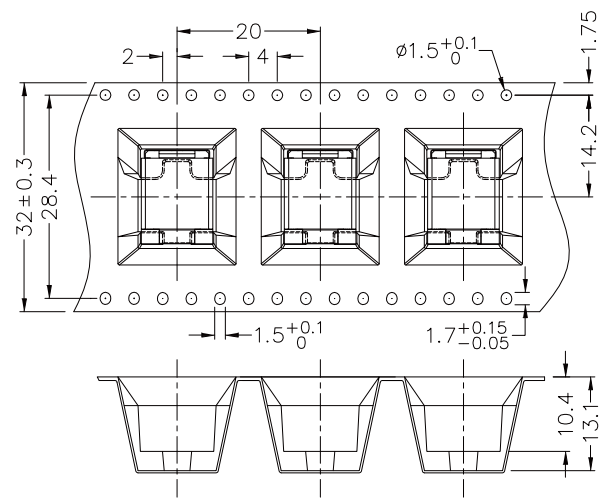
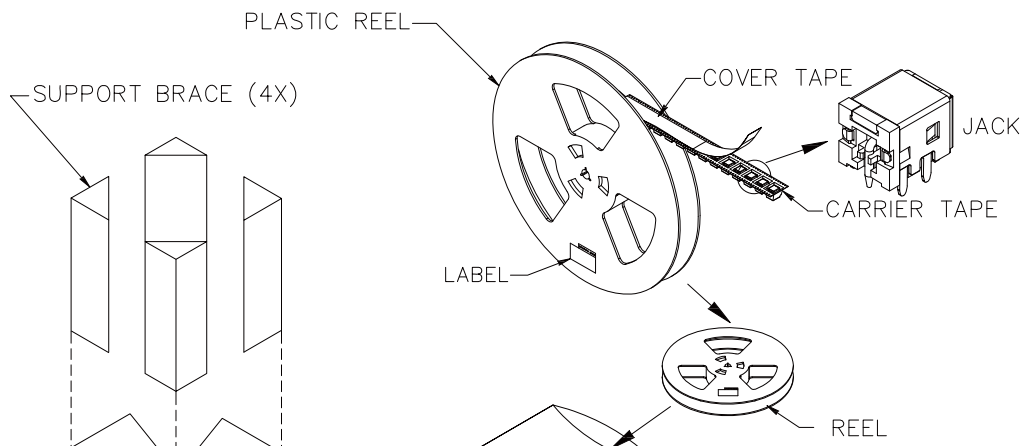
X, ±
 .X ±
 .XX ±
 .XXX ±
 ANG ±



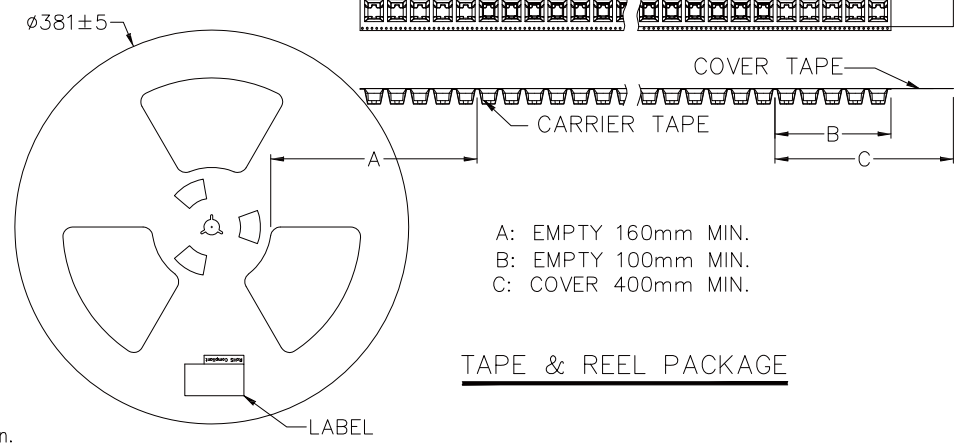
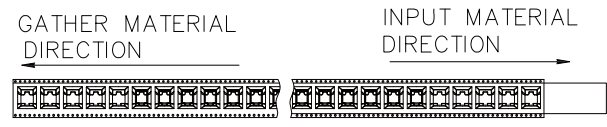
ORDER INFORMATION

DCJ-R20MM10AR-25-LF
 SERIES | | | | LEADFREE
 2.50
 REEL
 10Amp
 METAL FOOT
 POST 2.75mm
 DIP 90°

DESCRIPTION:

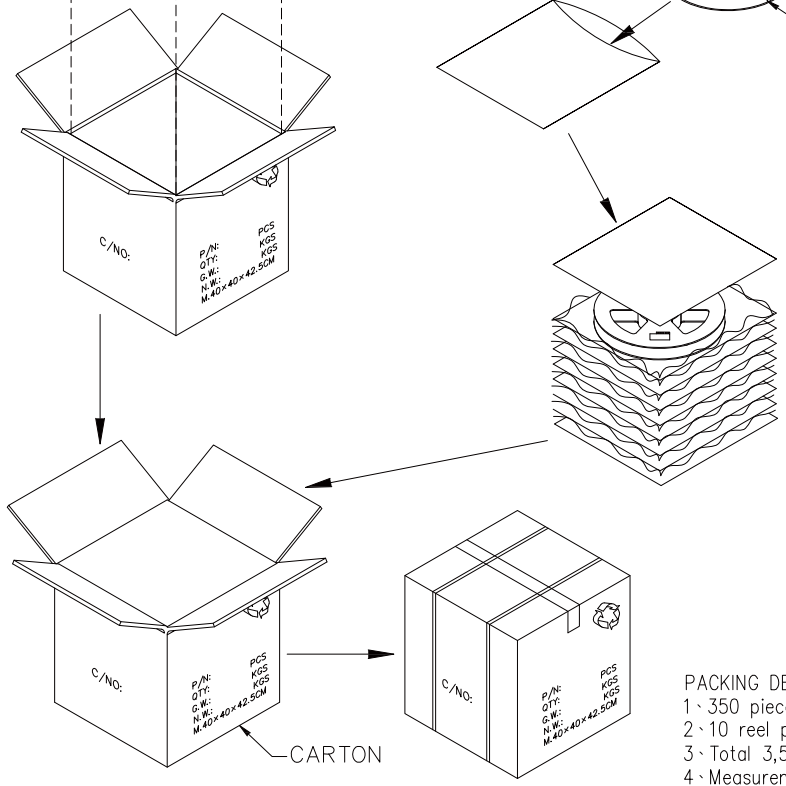


CARRIER TAPE



- A: EMPTY 160mm MIN.
- B: EMPTY 100mm MIN.
- C: COVER 400mm MIN.

TAPE & REEL PACKAGE



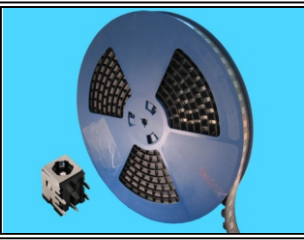
- PACKING DETAILS:
- 1 · 350 pieces per reel.
 - 2 · 10 reel per export carton.
 - 3 · Total 3,500 pieces per export carton.
 - 4 · Measurement: 40x40x42.5cm(L×W×H)

RoHS Compliant

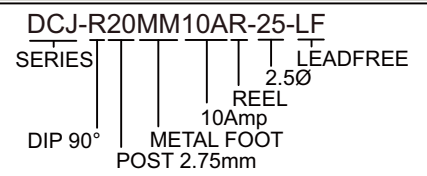
MORETHANALL
PCB CONNECTORS
Cable ASSEMBLIES
煜倫股份有限公司
www.morethanall.com

DRAWING BY CY	
CHECKED BY GENIUS	
UNIT / mm	SCALE 1 : 1
DATE	
SIZE A4	P PROJECTION

TOLERANCES ARE	
X, ±	
.X ±	
.XX ±	
.XXX ±	
ANG ±	



ORDER INFORMATION



DESCRIPTION: