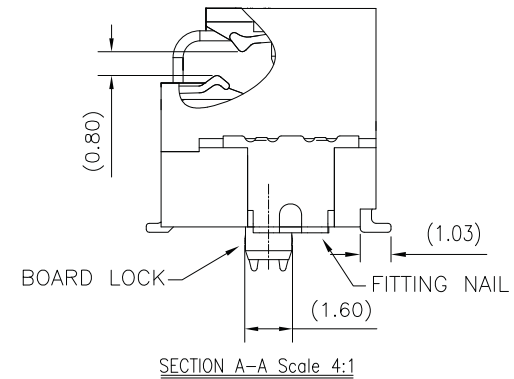
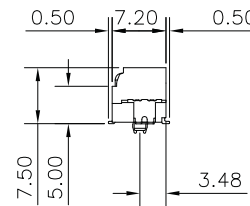
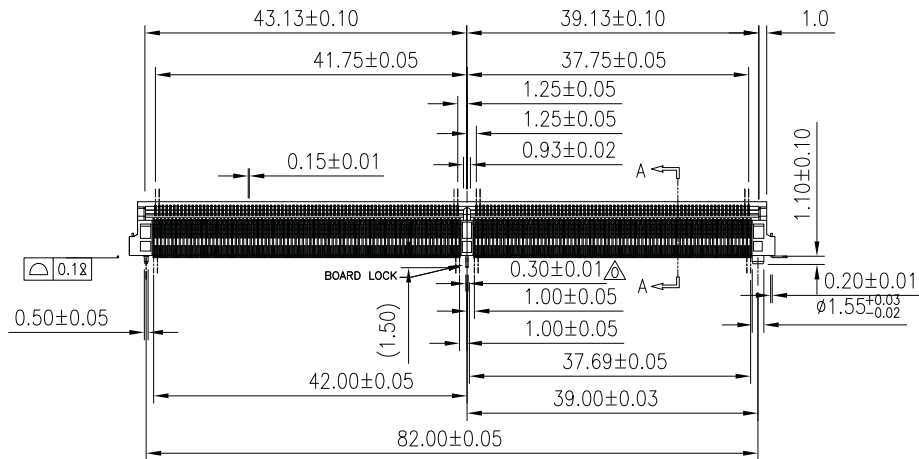


- NOTES:
- MATERIAL:
 - HOUSING: THERMOPLASTIC, HIGH TEMP.,UL94V-0; COLOR:Black.
 - CONTACT: COPPER ALLOY
 - FITTING NAIL: COPPER ALLOY
 - BOARD LOCK: COPPER ALLOY
 - FINISH:
 - CONTACT:
 - PLATING 8:
 - UNDERPLATING: 50u" MIN. NICKEL OVERALL.
 - FINISH:GOLD 3u" MIN. ON CONTACT,GOLD FLASH ON SOLDER TAIL
 - PLATING M:
 - UNDERPLATING: 50u" MIN. NICKEL OVERALL.
 - FINISH:GOLD 3u" ON CONTACT ARER,GOLD 1u" ON SOLDER TAIL
 - FITTING NAIL:
 - UNDERPLATING: 50u" MIN. NICKEL OVERALL.
 - FINISH:100~200u"MATT TIN OVER ALL
 - BOARD LOCK:
 - UNDERPLATING: 50u" MIN. NICKEL OVERALL.
 - FINISH:MATT TIN OVER ALL
 - REFLOW SOLDER CAPABLE TO 260°C
 - ROHS COMPLIANT PRODUCT.
 - THE PCB WARPAGE : 0.05MAX.
 - THE PCB Coplanarity : 0.08MAX.(ex.86.54mm&CONN.LAYOUT AREA),



RoHS Compliant

TOLERANCES ARE

MORETHANALL
PCB CONNECTORS
Cable ASSEMBLIES

DRAWING BY CY

X. ± 0.50

CHECKED BY GENIUS

.X ± 0.25

UNIT / mm

SCALE 1 : 1

.XX ± 0.15

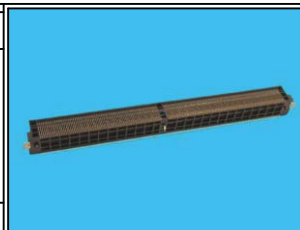
DATE

.XXX ± 0.10

ANG ± 2°

SIZE A4

PPOJECTION



ORDER INFORMATION

MXM-W075EP2-164149-LF

SERIES

314 WAY

LEADFREE

EAR+POST

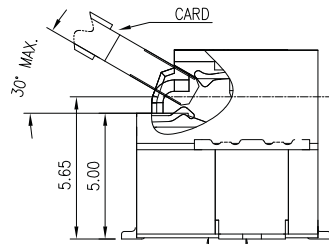
HIGH 7.5mm

90°SMT

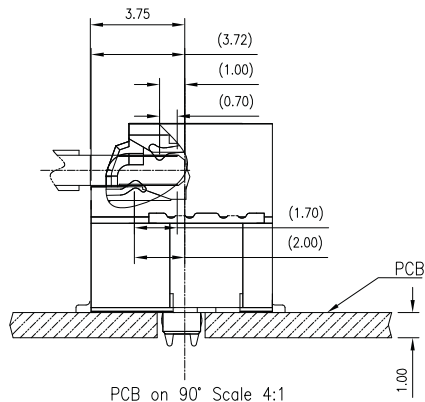
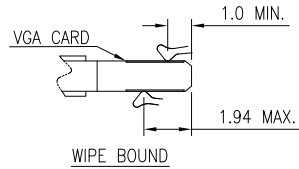
煜倫股份有限公司

www.morethanall.com

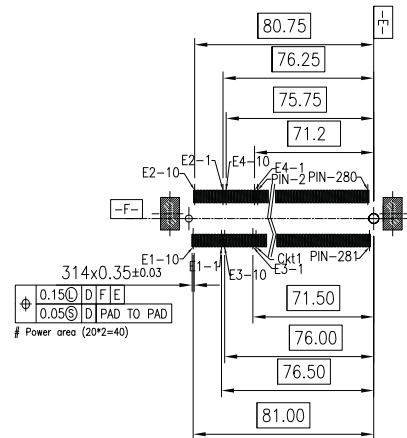
DESCRIPTION: MXM-3 314 PINS 0.5mm PITCH EDGE CARD CONN. SMT D/R R/A STD TYPE H=7.5mm (BTB H=5.0)



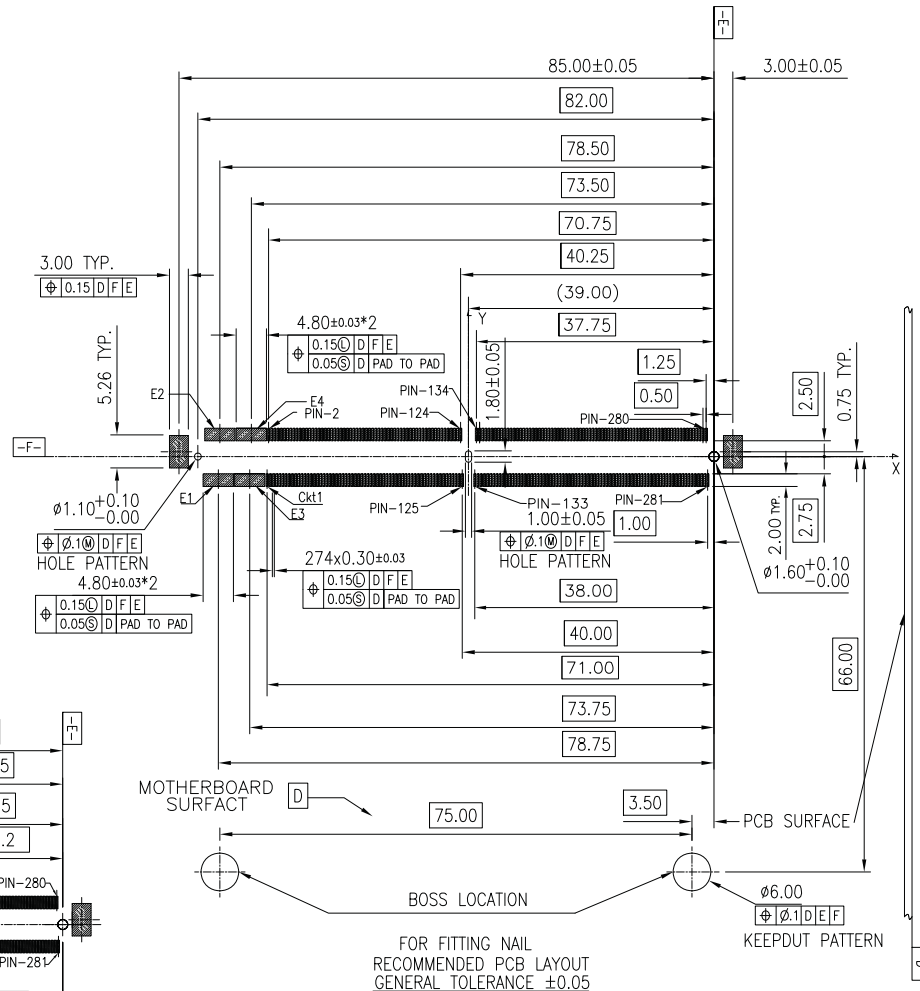
PCB 30° MAX In conn. Scale 4:1



PCB on 90° Scale 4:1



HIGH ELECTRICITY PER PIN LAYOUT



FOR FITTING NAIL
RECOMMENDED PCB LAYOUT
GENERAL TOLERANCE ±0.05

RoHS Compliant

TOLERANCES ARE

MORETHANALL
PCB CONNECTORS
Cable ASSEMBLIES
煜倫股份有限公司

DRAWING BY CY

CHECKED BY GENIUS

UNIT / mm

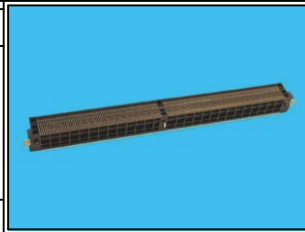
SCALE 1 : 1

DATE

SIZE A4

PPOJECTION

X. ± 0.50
.X ± 0.25
.XX ± 0.15
.XXX ± 0.10
ANG ± 2°



ORDER INFORMATION

MXM-W075EP2-164149-LF

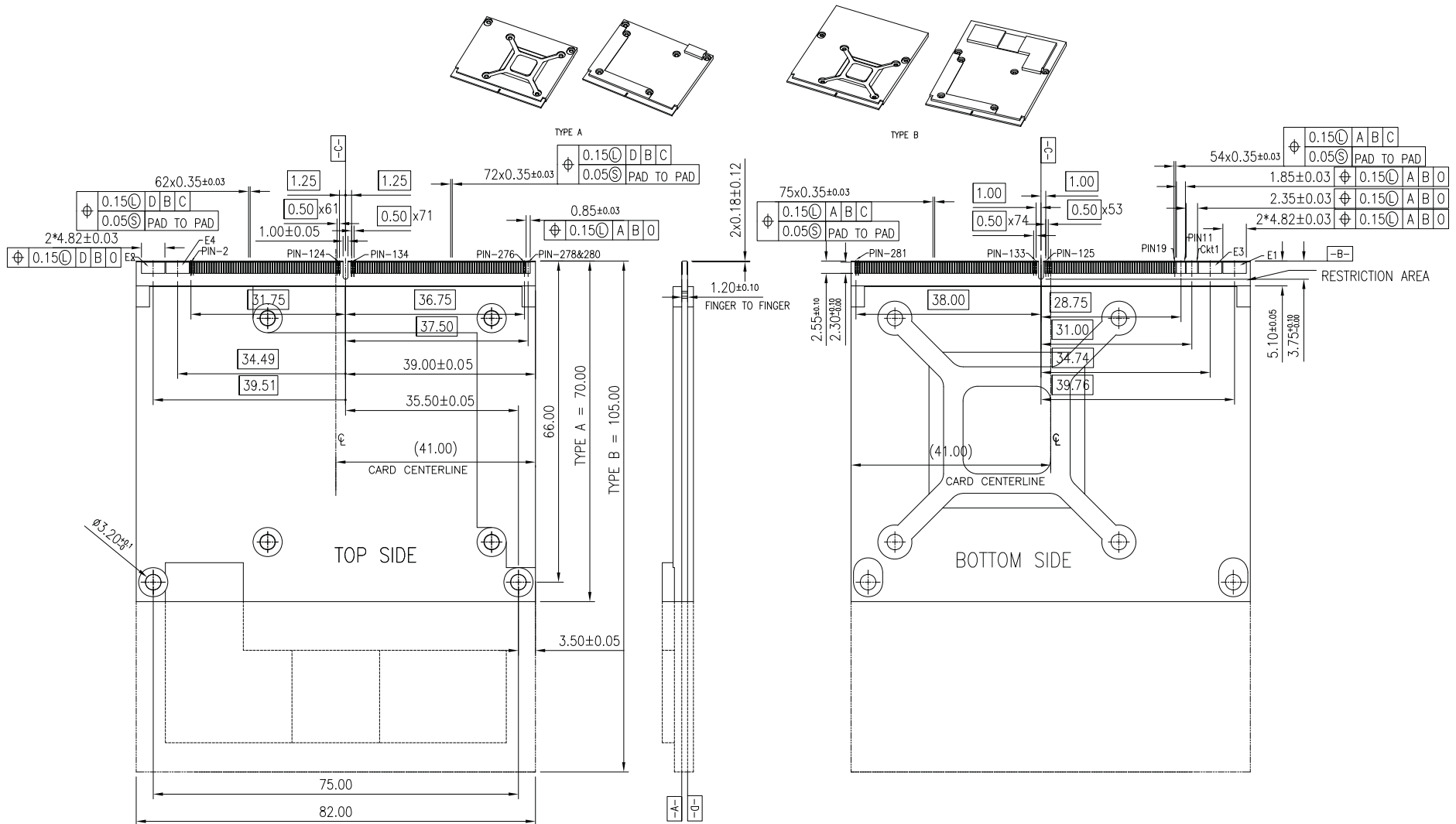
SERIES

314 WAY
EAR+POST
HIGH 7.5mm
90°SMT

LEADFREE

DESCRIPTION: MXM-3 314 PINS 0.5mm PITCH EDGE CARD CONN. SMT D/R R/A STD TYPE H=7.5mm (BTB H=5.0)

www.morethanall.com



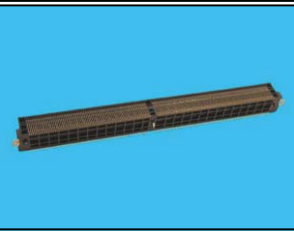
MXM-3 314PIN GOLD FINGER
 MXM-3 MAX 321 CONTACT LOCATION
 314 USEABLE (7 LOST TO KEY)

RoHS Compliant

TOLERANCES ARE

MORETHANALL
 PCB CONNECTORS
 Cable ASSEMBLIES
 煜倫股份有限公司
 www.morethanall.com

DRAWING BY CY		X. ± 0.50 .X ± 0.25 .XX ± 0.15 .XXX ± 0.10 ANG ± 2°
CHECKED BY GENIUS		
UNIT / mm	SCALE 1 : 1	
DATE		
SIZE A4	PPOJECTION	



ORDER INFORMATION

MXM-W075EP2-164149-LF
 SERIES | LEADFREE
 | 314 WAY
 | EAR+POST
 | HIGH 7.5mm
 | 90°SMT

DESCRIPTION: MXM-3 314 PINS 0.5mm PITCH EDGE CARD CONN. SMT D/R R/A STD TYPE H=7.5mm (BTB H=5.0)