

P. C. B RECOMMENDED HOLE LAYOUT SEEN FROM COMPONENT SIDE.

ALL CENTERLINE DIMENSIONS ARE BASIC

Notes : Contact plating : Gold 6 micro-inches min. In contact area.

RoHS Compliant

TOLERANCES ARE

**MORETHANALL**  
PCB CONNECTORS  
Cable ASSEMBLIES

DRAWING BY CY

X.±

CHECKED BY GENIUS

.X±

UNIT / mm

SCALE 1 : 1

.XX±

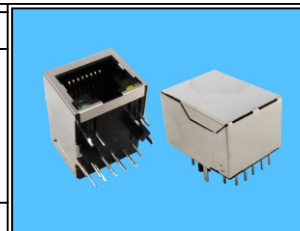
DATE

.XXX±

ANG ±

SIZE A4

P PROJECTION



ORDER INFORMATION

MJF13T056L-KX06B3GY43-0808

SERIES

||

||

||

||

||

||

||

||

||

||

||

||

||

||

||

8P8C

GREEN / YELLOW

REAR TAB 3.05mm

06u" GOLD

NON EAR

BLACK

煜倫股份有限公司

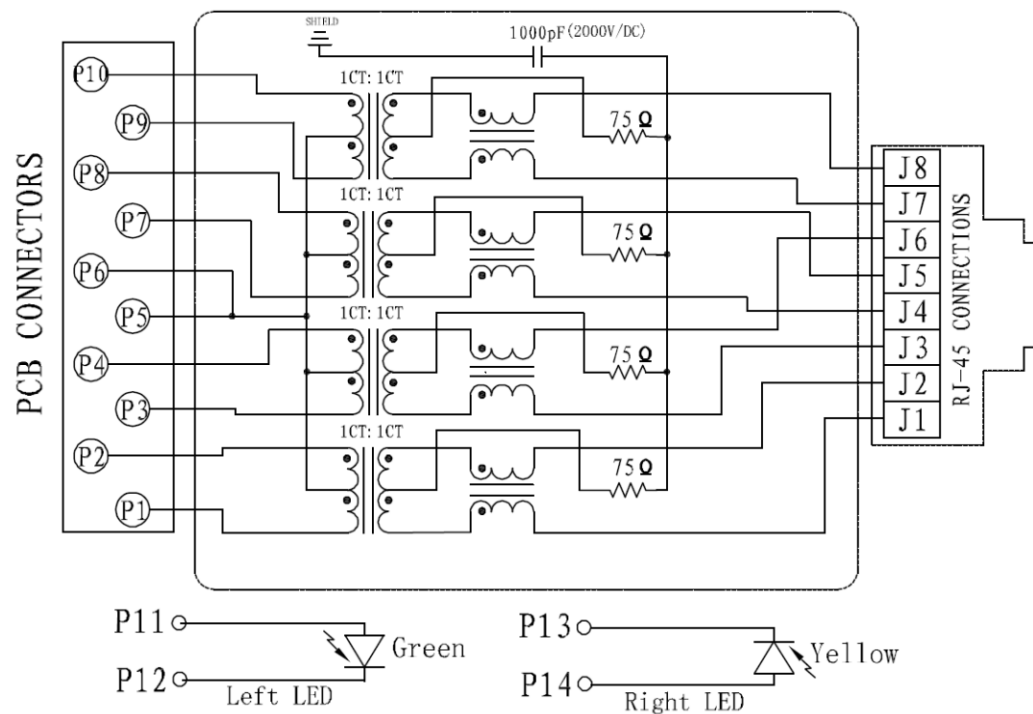
www.morethanall.com

DESCRIPTION:

**ELECTRICAL CHARACTERISTIC @25°C :**

1. Turn Ratio ( $\pm 2\%$ ) : TX = 1CT : 1CT      RX = 1CT : 1CT
2. Inductance OCL : 350uH Min. @ 100KHz / 0.1V, 8mA DC Bias
3. Insertion Loss 1-100MHz: -1.2dB Max
4. Return Loss : -18dB Min. @ 10 - 30MHz      -12dB Min. @ 60 - 80MHz  
                   -14dB Min. @ 30 - 60MHz      -10dB Min. @ 80 - 100MHz
5. Cross talk : -30dB Min. @ 1 - 100MHz  
                   -35dB Min. @ 30 - 60MHz
6. Common Mode Rejection : -30dB Min. @ 1 - 100MHz
7. Hipot Test : 1500Vrms Min.
8. Operating Temperature : -40°C ~ 85°C
9. Storage Temperature range: -40°C ~ +85°C

**SCHEMATIC DRAWING :**



**MORETHANALL**  
PCB CONNECTORS  
Cable ASSEMBLIES

煜倫股份有限公司

www.morethanall.com

**RoHS Compliant**

DRAWING BY CY

CHECKED BY GENIUS

UNIT / mm      SCALE 1 : 1

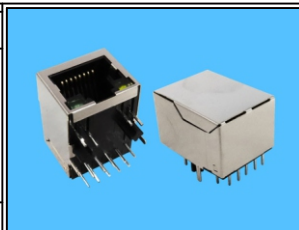
DATE

SIZE A4

TOLERANCES ARE

X, ±  
X, ±  
.XX ±  
.XXX ±  
ANG ±

PPOJECTION



**ORDER INFORMATION**

MJF13T056L-KX06B3GY43-0808

SERIES      8P8C  
 GREEN / YELLOW  
 REAR TAB 3.05mm  
 .06u" GOLD  
 NON EAR  
 BLACK

DESCRIPTION: