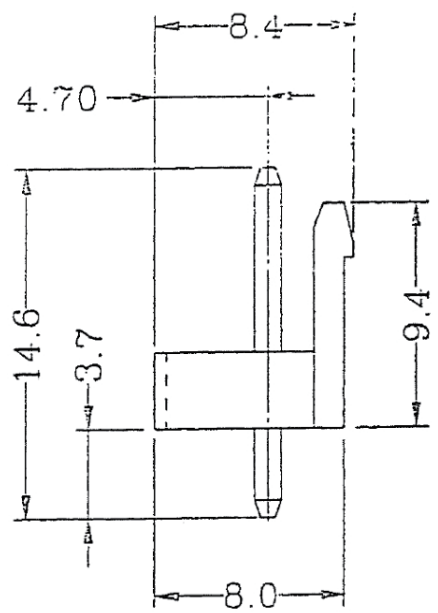
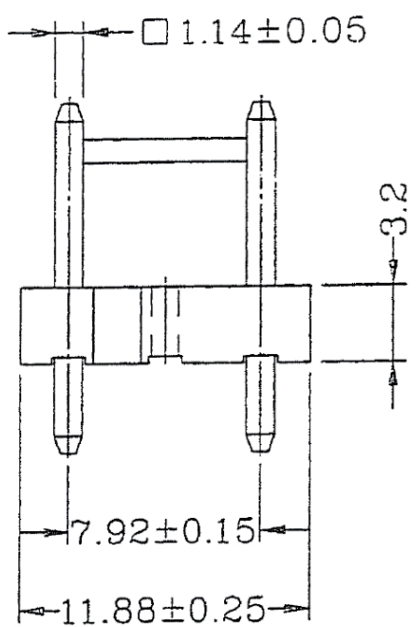


Material: Insulator: Nylon 66 UL 94V-0
 Contact: 1.14mm Tin Plated Square Pin
 D: Void 2nd Pin
 Unit quantity: 1000 Pcs/Bag

P.C.B. LAYOUT

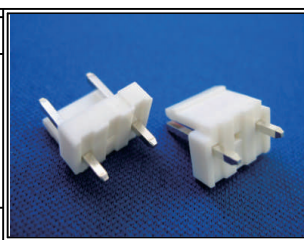


RoHS Compliant

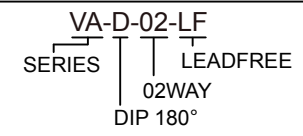
TOLERANCES ARE



DRAWING BY CY		X. ± .X ± .XX ± .XXX ± ANG ±
CHECKED BY GENIUS		
UNIT / mm	SCALE 1 : 1	
DATE		
SIZE A4	P PROJECTION	



ORDER INFORMATION



煜倫股份有限公司

www.morethanall.com

DESCRIPTION: