

Notes:

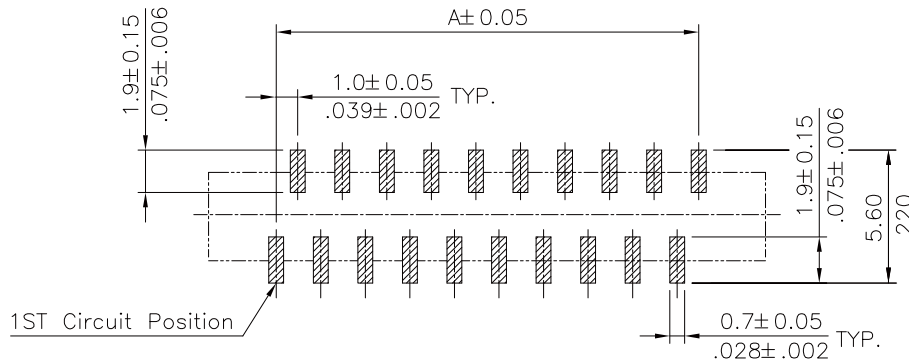
- \* Insulation: Nylon 6T UL 94V-0 (Halogen-Free)
- \* Contact: Phosphor Bronze
- \* PAD: Nylon 6T UL 94V-0, Color Black (Halogen-Free)
- \* For Lead-Free IR Reflow process

A = 1.00 x No. of Spaces

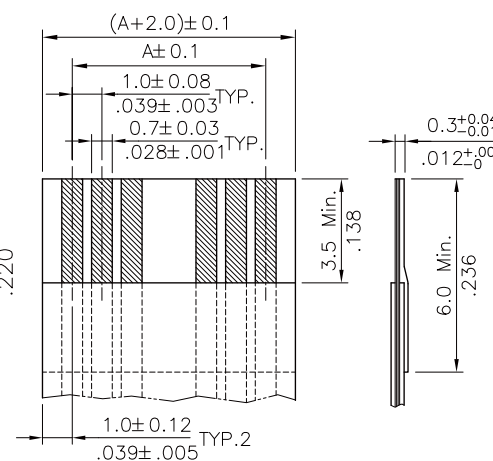
B = A + 6.0

C = A + 2.1

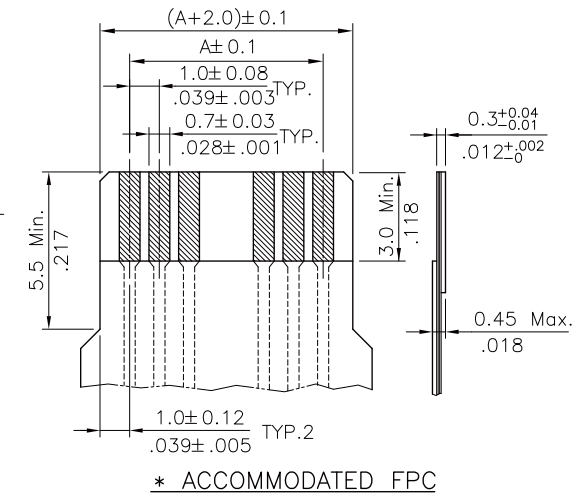
- \* Available in 3 through 32 circuits



Sold Pad Pattern



\* ACCOMMODATED FFC



\* ACCOMMODATED FPC

RoHS Compliant

TOLERANCES ARE

**MORETHANALL**  
PCB CONNECTORS  
Cable ASSEMBLIES

煜倫股份有限公司

www.morethanall.com

DRAWING BY CY

CHECKED BY GENIUS

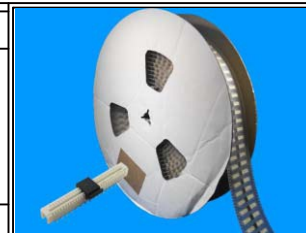
UNIT/mm SCALE 1:1

DATE

SIZE A4

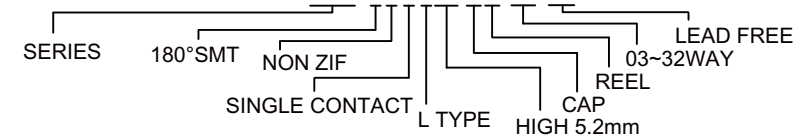
PJECTION

X ±  
.X ± 0.15  
.XX ± 0.10  
.XXX ± 0.05  
ANG ±

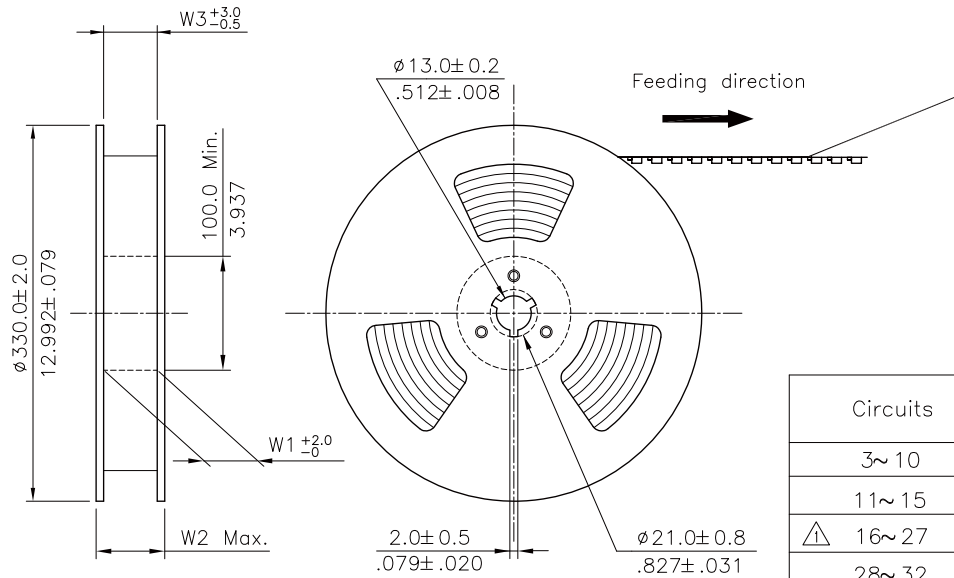


ORDER INFORMATION

FPA-VLAL52CR-xx-LF



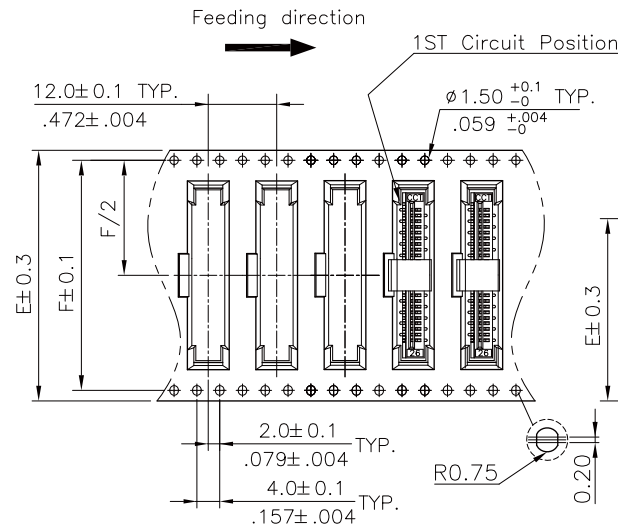
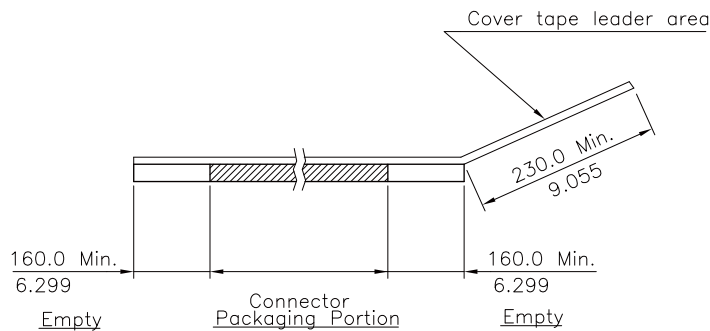
DESCRIPTION:



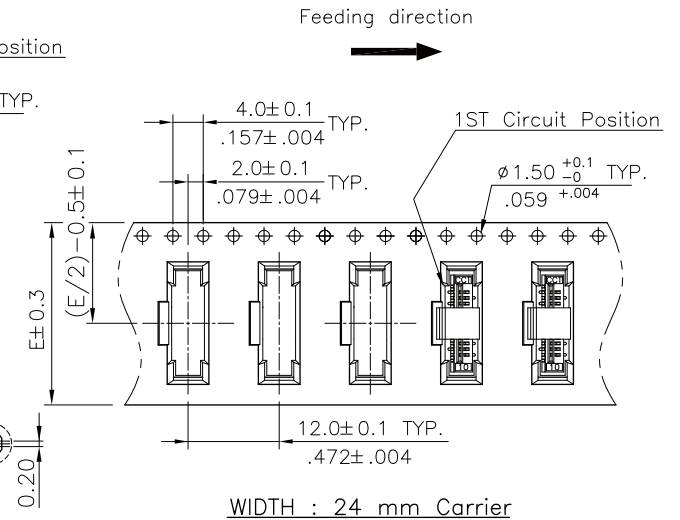
NOTE :

- \* Reel Material : Corrugated Paper
- \* Carrier Material : Clear, Conductive Polystyrene Alloy
- \* Cover Tape Material : Polyester
- \* Cover Tape Peel Strength : 0.1N – 1.3N
- \* Carrier camber is within 1mm in 250mm
- \* All dimensions meet EIA-481-B requirements.
- \* Quantity : 800 PCS/Reel

Circuits	Dimension					Packing (Reel/Carton)
	E	F	W1	W2	W3	
3~ 10	24.0(.945)	---	24.5(.965)	30.5(1.201)	24.5(.965)	9
11~ 15	32.0(1.260)	28.40(1.118)	32.5(1.280)	38.5(1.516)	32.5(1.280)	7
△ 16~ 27	44.0(1.732)	40.40(1.591)	44.5(1.752)	50.5(1.988)	44.5(1.752)	5
28~ 32	56.0(2.205)	52.40(2.063)	56.5(2.224)	62.5(2.461)	56.5(2.224)	3



WIDTH : 32, 44 & 56 mm Carrier



WIDTH : 24 mm Carrier

RoHS Compliant

TOLERANCES ARE

**MORETHANALL**  
PCB CONNECTORS  
Cable ASSEMBLIES

DRAWING BY CY

CHECKED BY GENIUS

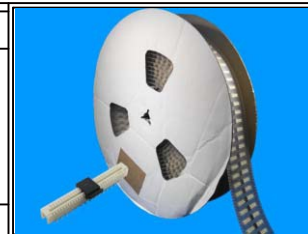
UNIT/mm SCALE 1:1

DATE

SIZE A4

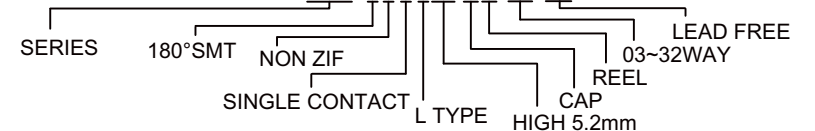
X, ±  
.X ± 0.15  
.XX ± 0.10  
.XXX ± 0.05  
ANG ±

PJECTION



ORDER INFORMATION

FPA-VLAL52CR-xx-LF



DESCRIPTION:

煜倫股份有限公司

www.morethanall.com