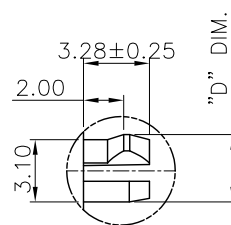
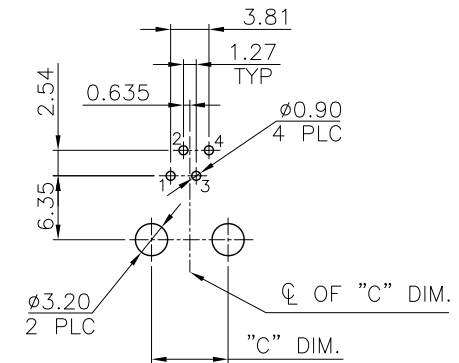
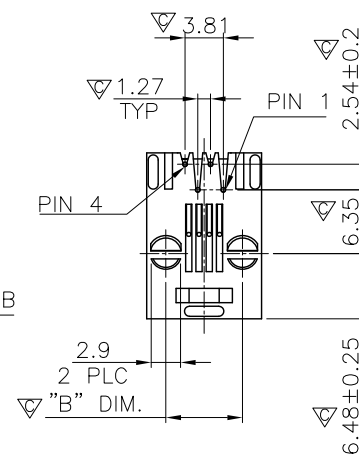
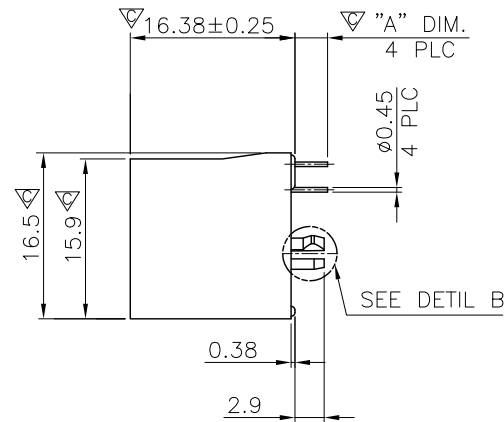
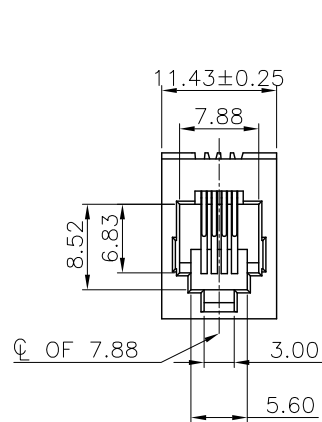


NOTE:

CAVITY CONFIRMS TO FCC RULES AND REGULATIONS PART 68, SUBPART F.

1. MATERIAL:
HOUSING: PBT OR PA46, WITH GLASS FIBER,
UL 94V-0, STANDARD COLOR-BLACK.
CONTACTS: PHOSPHOR BRONZE.
2. FINISH:
CONTACTS: GOLD PLATED ON ENTIRE CONTACT,
1.27 μ m [50 μ "] MIN. NICKEL UNDERPLATED
ALL OVER.
3. "▽" SHOWS QIP INSPECTION POINT.



DETAIL B
(SCALE 2:1)

RECOMMENDED PCB LAYOUT
RECOMMENDED PCB THICKNESS: 1.6mm
TOLERANCE: ± 0.05 (TOP VIEW)

RoHS Compliant

TOLERANCES ARE

MORETHANALL
PCB CONNECTORS
Cable ASSEMBLIES

DRAWING BY CY

CHECKED BY GENIUS

UNIT / mm

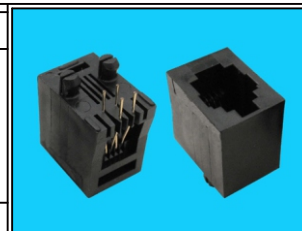
SCALE 1:1

DATE

SIZE A4

PJECTION

X, \pm
.X \pm 0.25
.XX \pm 0.13
.XXX \pm 0.05
ANG \pm



ORDER INFORMATION

MJD16-KX06-0404-LF

SERIES | | | LEADFREE
| | | 4P4C
| | | 06u" GOLD
| | | NON EAR
| | | BLACK

煜倫股份有限公司

www.morethanall.com

DESCRIPTION: 4POSITION, 180°, SPLIT PEGS, TOP ENTRY PCB JACK