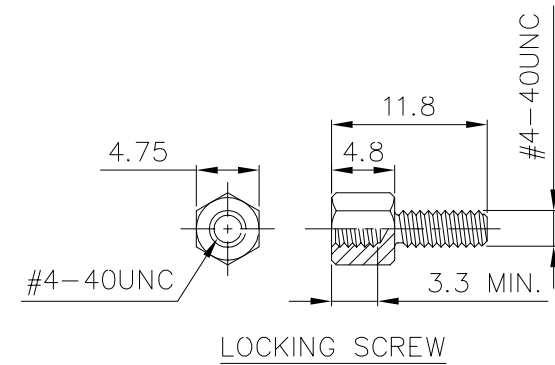
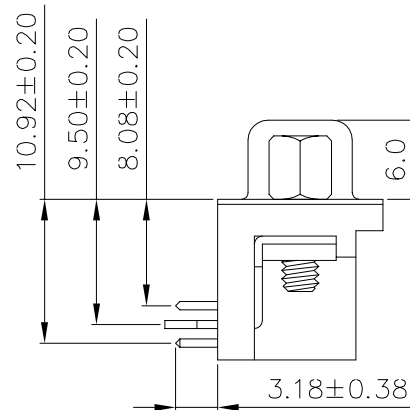
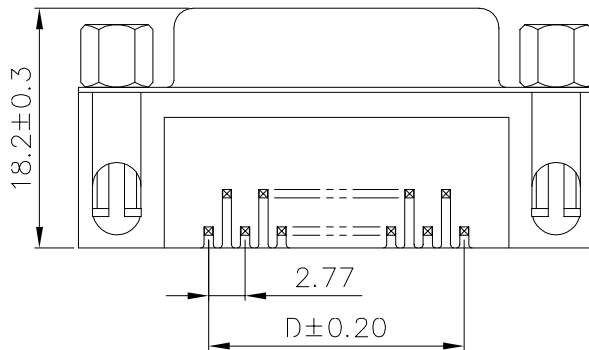
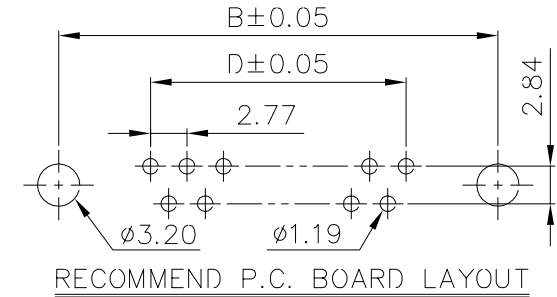
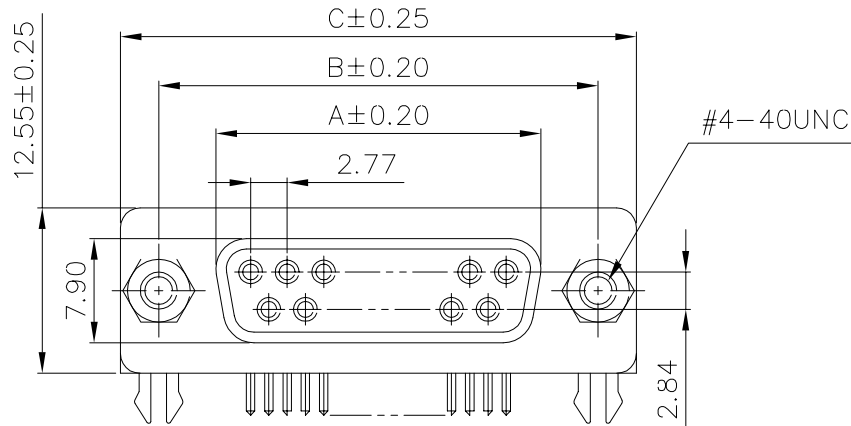


Material:
 Insulator: PBT+30% Glass Fiber (UL94V-0).
 Contact: Copper Alloy.
 Contact Plated: **Selective Gold Flash** Plated.
 Shell: Steel with Nickel or Tin or Zinc Plated.
4-40 3Threaded Riveted & Jack Screws Assembled.

Specification:
 Current Rating: 5 Amps.
 Withstanding Voltage: AC 500V for 1 Minute.
 Insulation Resistance: 1000MΩ Min. at DC 500V.
 Contact Resistance: 30 mΩ Max..
 Operating Temperature: -40°C ~ +105°C.



Pos.	Dim. A	Dim. B	Dim. C	Dim. D
9	16.33	24.99	30.81	11.08
15	24.66	33.32	39.14	19.39
25	38.38	47.04	53.04	33.24
37	54.84	63.50	69.32	49.86

RoHS Compliant

TOLERANCES ARE

MORETHANALL
 PCB CONNECTORS
 Cable ASSEMBLIES

DRAWING BY CY

X. ±

CHECKED BY GENIUS

.X ±

UNIT / mm

SCALE 1 : 1

.XX ±

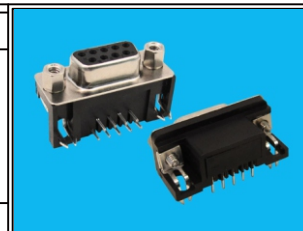
DATE

.XXX ±

ANG ±

SIZE A4

P PROJECTION



ORDER INFORMATION

DR-SSNJ-xx-LF
 SERIES | | | | LEADFREE
 | | | | 09-37 WAY
 | | | | JACKSCREW
 | | | | NUT
 | | | | SEMI GOLD
 | | | | FEMALE

DESCRIPTION: D-Sub Female Right Angle Connector Footprint 8.08mm Clinch Nut/Screw Lock Type

煜倫股份有限公司

www.morethanall.com