

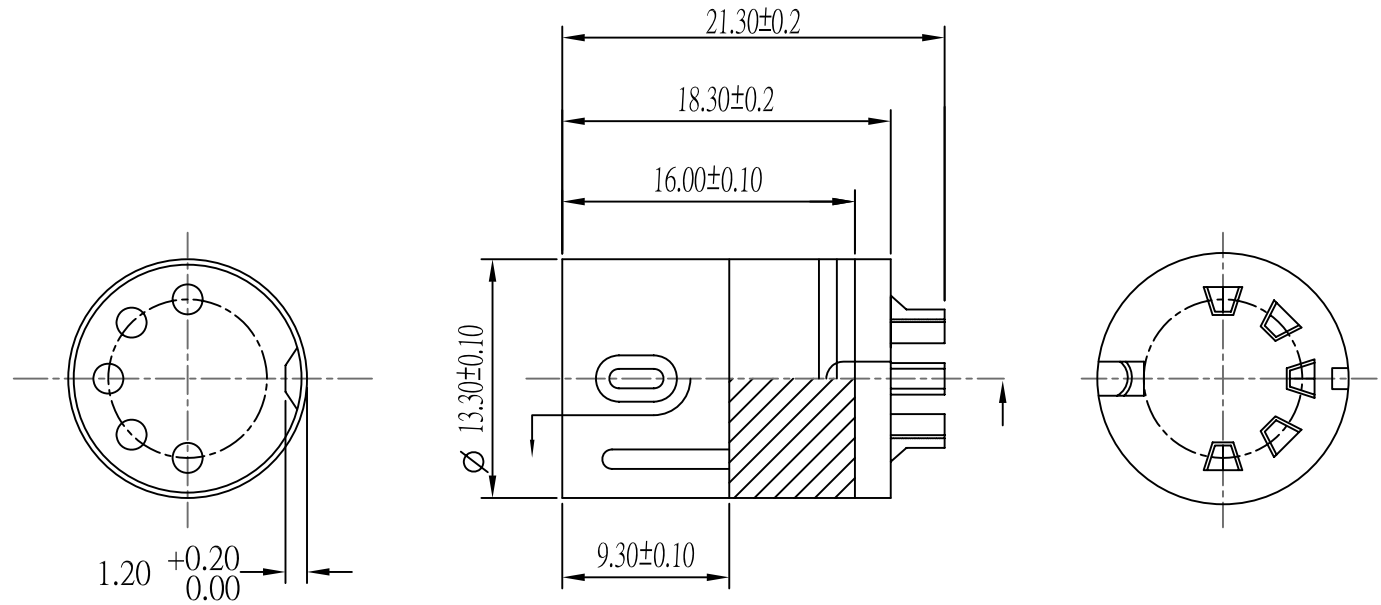
]Note:

1.Material:

- 1.1 Insulator: High temperature thermoplastic with g.f,UL94v-0
- 1.2 Contact: Copper alloy,t=0.20mm
- 1.3 Shell: Spcc,t=0.30mm

2.Specification:

- 2.1 Current rating: 1 A Max.
- 2.2 Dielectric withstanding voltage: 750 V(ac) for 1 min.
- 2.3 Contact resistance: 30 mΩ Max.
- 2.4 Insulation resistance: 1000 MΩ Min.
- 2.5 Total mating force: 5.5 Kgf Max.
- 2.6 Total unmating force: 1.0 Kgf Min.
- 2.7 Temperature range: -55°C~85°C



NO.OF CONTACT	3(180°)	4(210°)	5(180°)	6(240°)	7(270°)	8(270°)
PART NO.	DM-P-03	DM-P-04	DM-P-05	DM-P-06	DM-P-07	DM-P-08
POSITION						

RoHS Compliant

TOLERANCES ARE

MORETHANALL
PCB CONNECTORS
Cable ASSEMBLIES

DRAWING BY CY
CHECKED BY GENIUS
UNIT / mm SCALE 1 : 1
DATE

X. ±
.X ±
.XX ±
.XXX ±
ANG ±



ORDER INFORMATION

DM-P-xx-LF
SERIES | LEADFREE
03~08WAY
MALE

煜倫股份有限公司

www.morethanall.com

SIZE A4 PROJECTION

DESCRIPTION: DIN SOLDER TYPE(M)