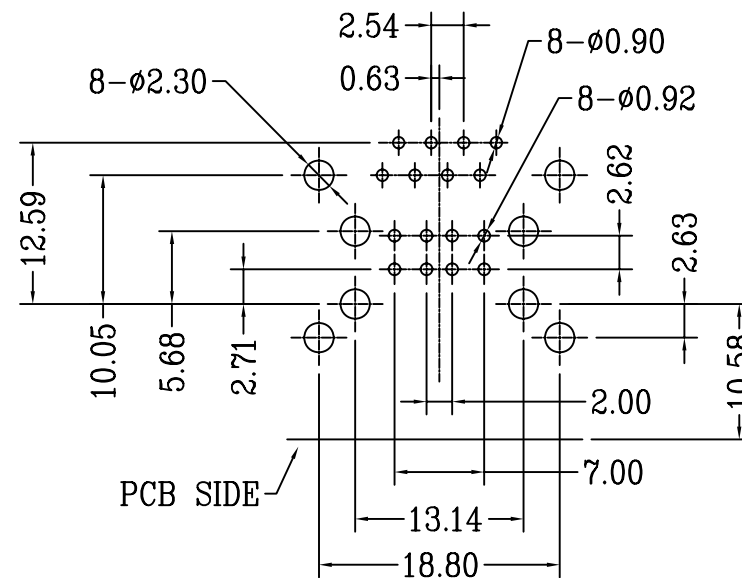


- NOTES:
- MATERIAL:
    - Terminal: phose broze
    - Housing: PBT-BK 94v-0
    - Shiel: brass
  - Spec see USB and RJ45 spec



PCB LAYOUT

RoHS Compliant

TOLERANCES ARE

**MORETHANALL**  
PCB CONNECTORS  
Cable ASSEMBLIES

DRAWING BY CY

CHECKED BY GENIUS

UNIT / mm

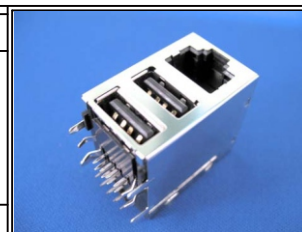
SCALE 1 : 1

DATE

SIZE A4

PJECTION

X. ±  
.X ± 0.30  
.XX ± 0.15  
.XXX ± 0.10  
ANG ±



ORDER INFORMATION

MUJ-KX06-88AA-LF  
SERIES | | | | LEADFREE  
| | | | A+A TYPE  
| | | | 8P8C  
| | | | 06u" GOLD  
| | | | NON EAR  
| | | | BLACK

煜倫股份有限公司

www.morethanall.com

DESCRIPTION: RJ45 + USB X 2