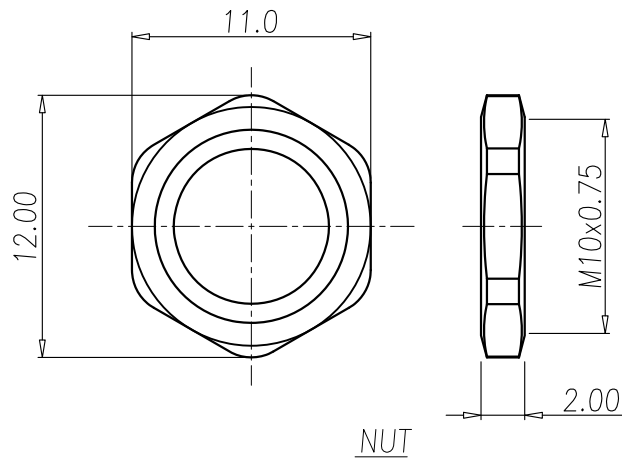
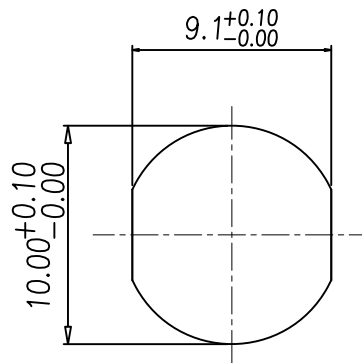


P.C.B LAYOUT



NUT



RECOMMEND PANEL CUT-OUT

1. MATERIAL :
  - 1-1. HOUSING : PBT UL94V-0 ; COLOR : BLACK
  - 1-2. CONTACT : BRASS.
  - 1-3. NUT : BRASS.
  - 1-4. SHELL : BRASS.
  - 1-5. O-RING : NBR
  - 1-6. GROUND : PHOSPHOR BRONZE
2. FINISH :
  - 2-1. CONTACT : 10 MICRO INCHES MIN. GOLD PLATED  
UNDER PLATE : NICKEL
  - 2-2. NUT : NICKEL PLATED
  - 2-3. SHELL : NICKEL PLATED
  - 2-4. GROUND : BIRGHT TIN PLATED
3. ELECTRICAL SPECIFICATION :
  - 3-1. Rated current : 2A
  - 3-2. Rated Voltage : 30V
  - 3-3. Water proof: IP67 When Un-mated
4. Environmental :
  - 4-1. Operation Temperature : -40°C~85°C

RoHS Compliant

TOLERANCES ARE

**MORETHANALL**  
PCB CONNECTORS  
Cable ASSEMBLIES

煜倫股份有限公司

www.morethanall.com

DRAWING BY CY

CHECKED BY GENIUS

UNIT / mm

SCALE 1:1

DATE

SIZE A4

PJECTION

X, ±  
.X ± 0.20  
.XX ± 0.10  
.XXX ± 0.05  
ANG ± 1°



ORDER INFORMATION

M8-SRPBNO-06-LF  
SERIES | LEADFREE  
FEMALE | 06 WAY  
DIP 90° | NUT  
BACK | RING  
PANEL

DESCRIPTION: Waterproof M8 (F) 鍍銀 90° DIP+接地