

- NOTES:
- MATERIAL:
 - HOUSING: HIGH TEMPERATURE THERMO PLASTIC UL94V-0
 - TERMINAL: COPPER ALLOY
 - SOLDER PEG: COPPER ALLOY
 - FINISH:
 - TERMINAL: CONTACT AREA: SEE CHARTS
 - SOLDERING AREA: SEE CHARTS
 - UNDER PL.: NICKEL PL. 50 μ " THK MIN.
 - THIS PRODUCT DOESN'T CONTAIN ENVIRONMENTAL HAZARDOUS PER DIRECTIVE 2002/95/EC FOR RoHS COMPLIANT.

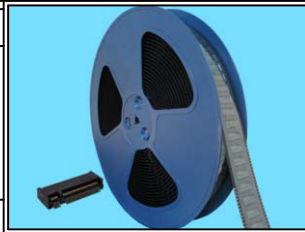
RoHS Compliant

TOLERANCES ARE



DRAWING BY CY
 CHECKED BY GENIUS
 UNIT / mm SCALE 1 : 1
 DATE
 SIZE A4

X, \pm
 .X, \pm
 .XX, \pm
 .XXX, \pm
 ANG, \pm



ORDER INFORMATION

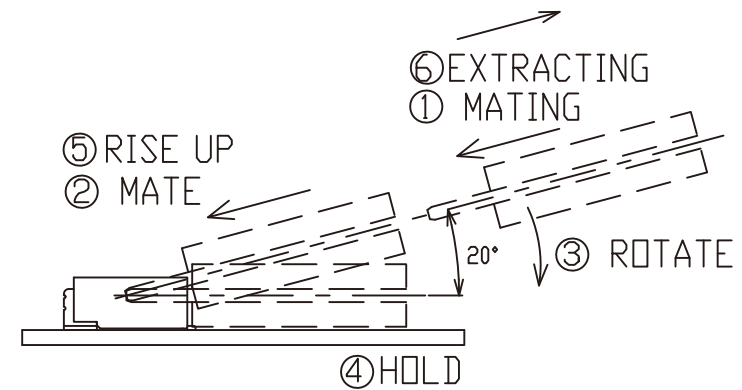
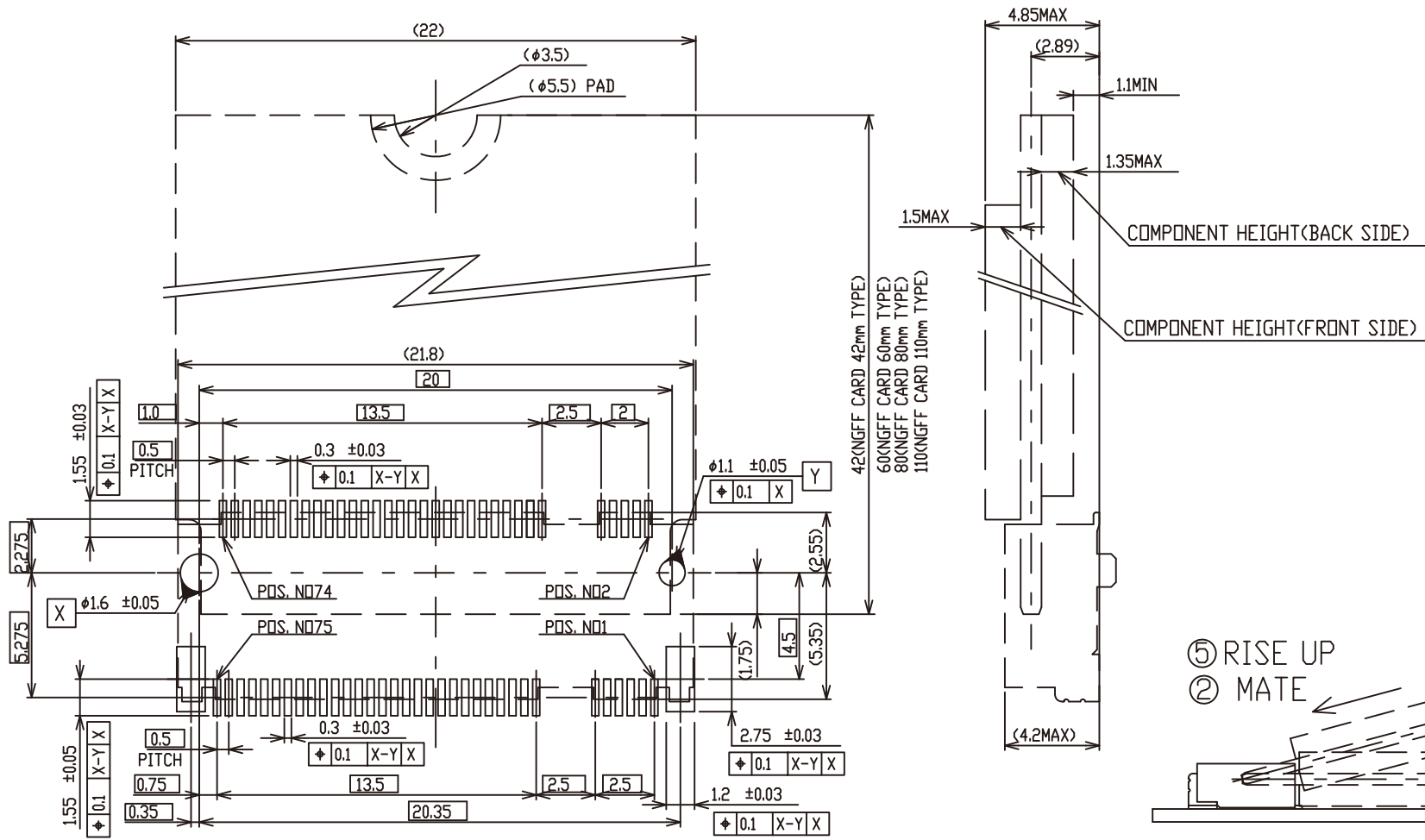
NGFF-W42R-1156-LF
 SERIES | | LEADFREE
 | | 11+56 WAY
 | | REEL
 | | HIGH 4.2mm
 | | 90°SMT

煜倫股份有限公司

www.morethanall.com

PROJECTION

DESCRIPTION:



KEY ID "B"
RECOMMENDED P.C.BOARD LAYOUT

RoHS Compliant

TOLERANCES ARE

MORETHANALL
PCB CONNECTORS
Cable ASSEMBLIES

DRAWING BY CY

X, \pm

CHECKED BY GENIUS

.X \pm

UNIT / mm

SCALE 1 : 1

.XX \pm

DATE

.XXX \pm

ANG \pm

SIZE A4

PJECTION



ORDER INFORMATION

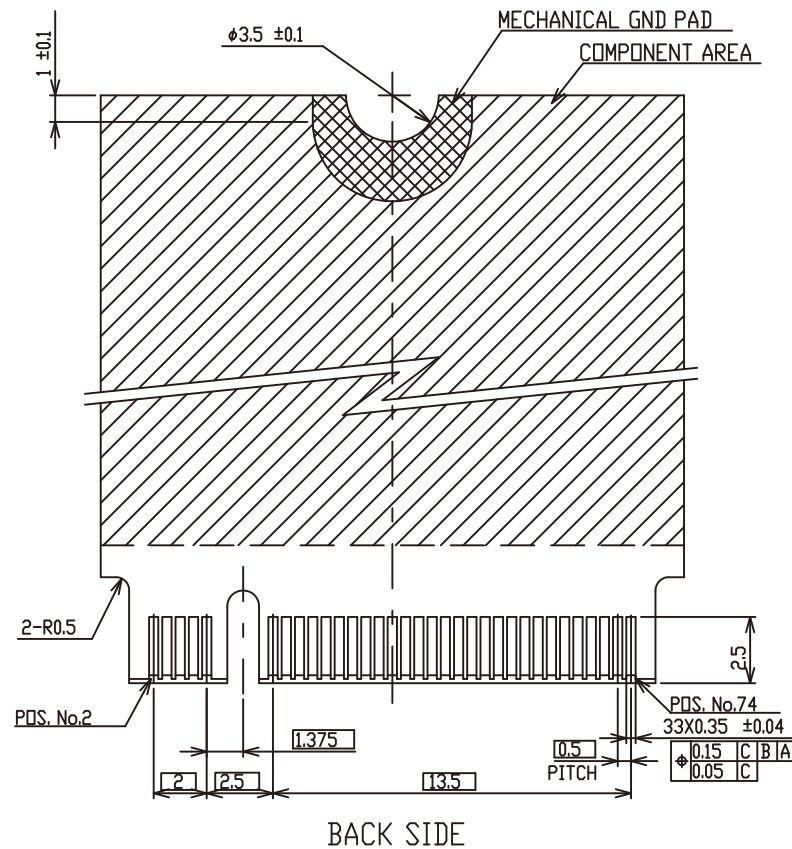
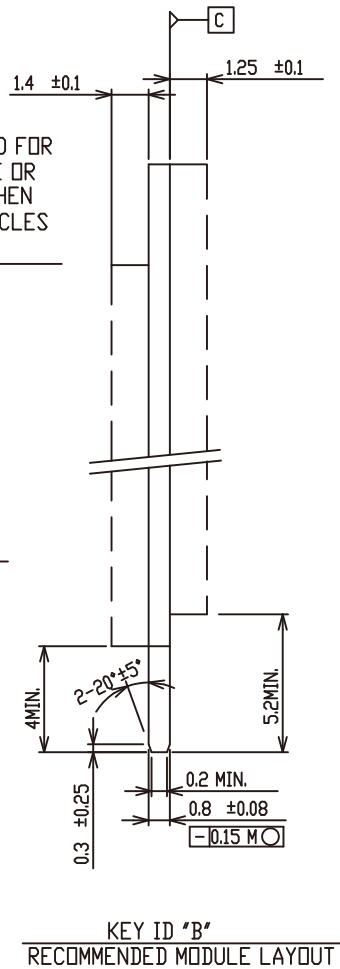
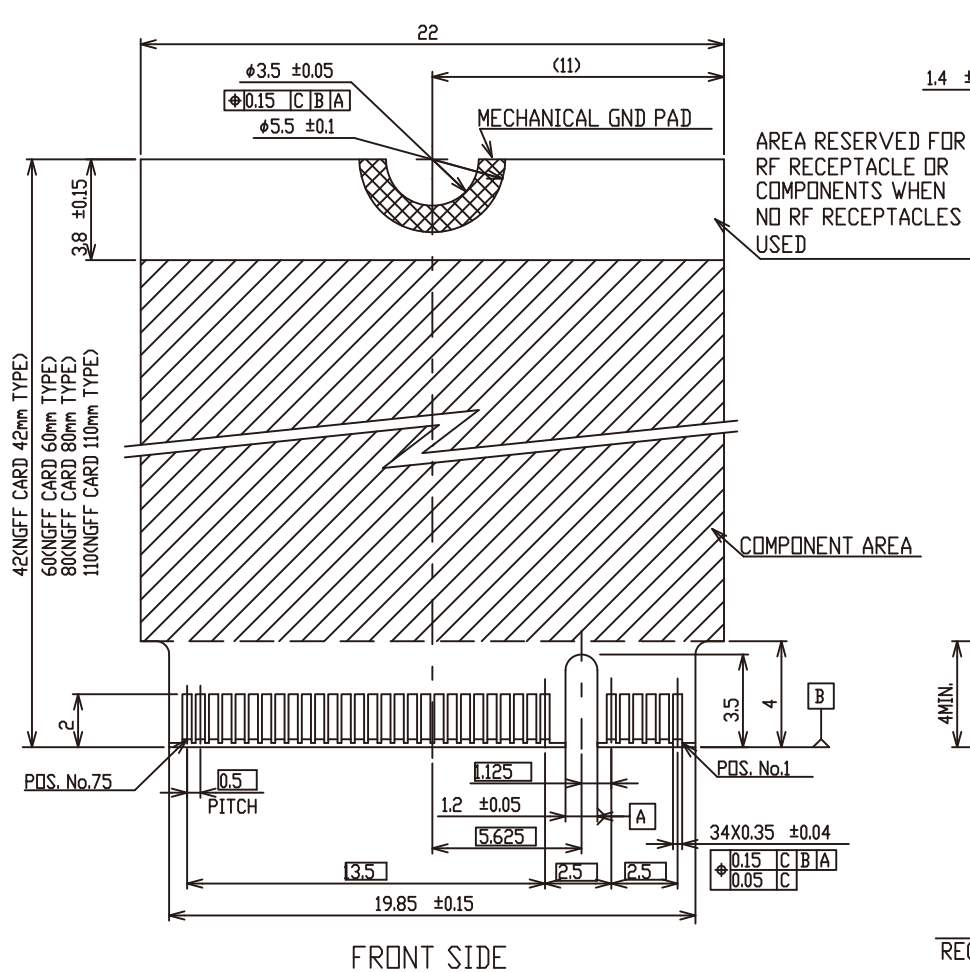
NGFF-W42R-1156-LF

SERIES | | | LEADFREE
| | | 11+56 WAY
| | | REEL
| | | HIGH 4.2mm
| | | 90°SMT

煜倫股份有限公司

www.morethanall.com

DESCRIPTION:



RoHS Compliant

TOLERANCES ARE

MORETHANALL
PCB CONNECTORS
Cable ASSEMBLIES

DRAWING BY CY

X, ±

CHECKED BY GENIUS

.X, ±

UNIT / mm

SCALE 1 : 1

.XX, ±

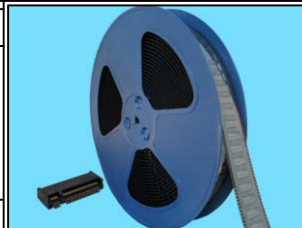
DATE

.XXX, ±

ANG, ±

SIZE A4

PJECTION



ORDER INFORMATION

NGFF-W42R-1156-LF

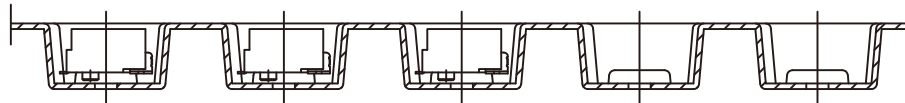
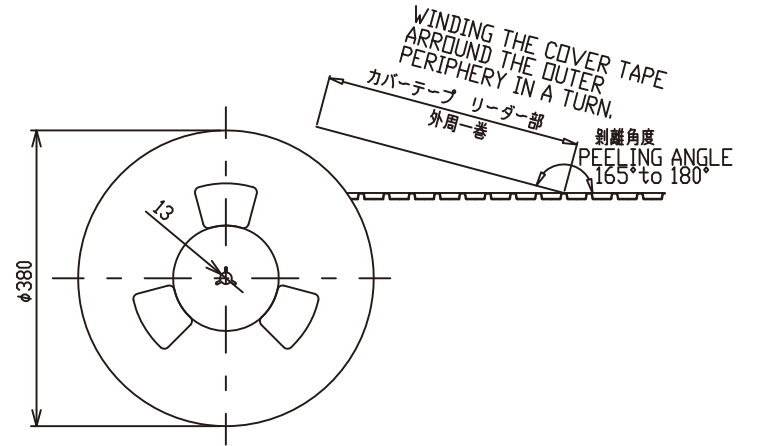
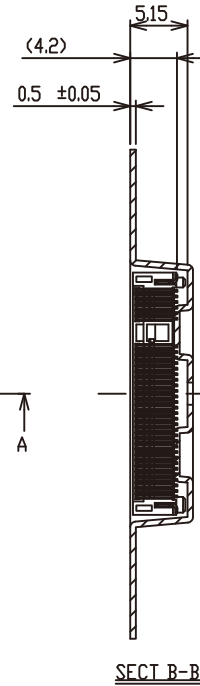
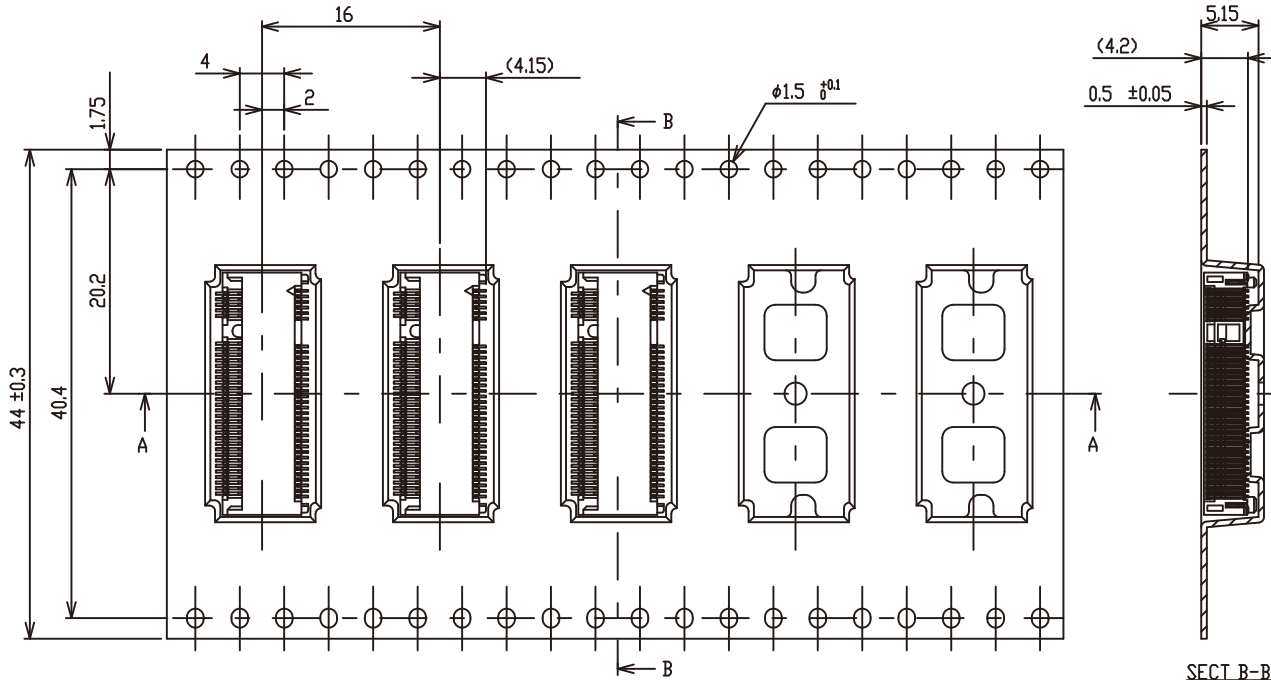
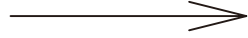
SERIES | | LEADFREE
| | 11+56 WAY
| | REEL
| | HIGH 4.2mm
| | 90°SMT

煜倫股份有限公司

www.morethanall.com

DESCRIPTION:

DIRECTION OFF TOP OF REEL



SECT A-A

SECT B-B

NOTES:

1. THE DIRECTION OF EACH CONNECTOR ON A EMBOSS IS REFERED TO THIS DRAWING.
2. GENERAL TOLERANCE : ± 0.5 , $\pm 3^\circ$
3. PACKAGED IN EMBOSS TAPE AND PLASTIC REEL 1000 PCS PRE REEL.

RoHS Compliant

TOLERANCES ARE

MORETHANALL
PCB CONNECTORS
Cable ASSEMBLIES

DRAWING BY CY

CHECKED BY GENIUS

UNIT / mm

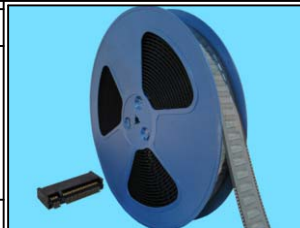
SCALE 1 : 1

DATE

SIZE A4

X, \pm
.X \pm
.XX \pm
.XXX \pm
ANG \pm

PJECTION



ORDER INFORMATION

NGFF-W42R-1156-LF

SERIES | | LEADFREE
| | 11+56 WAY
| | REEL
| | HIGH 4.2mm
| | 90°SMT

煜倫股份有限公司

www.morethanall.com

DESCRIPTION: