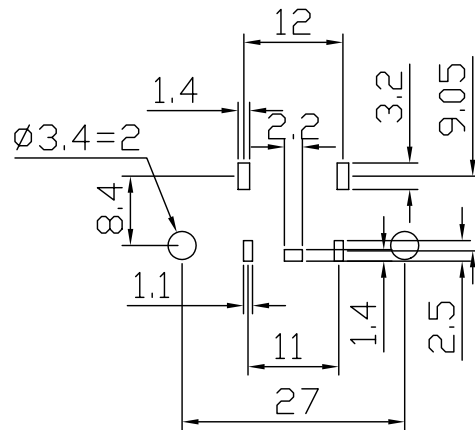
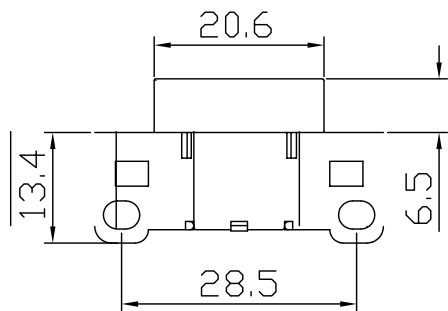
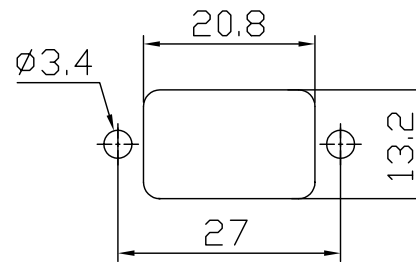


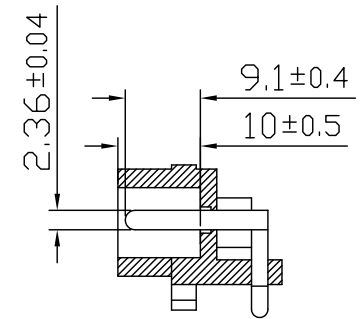
Current Rating: 2.5A/10A(UL) / 2.5A(VDE)
 Voltage Rating: 250V(UL) / 250V(VDE)
 Soldering: Brass, Tin Plated
 Contact: Brass, Tin Plated
 Body Insulator: PA66



PCB LAYOUT



PANEL CUT-OUT



SECTION A-L

MORETHANALL
 PCB CONNECTORS
 Cable ASSEMBLIES

煜倫股份有限公司

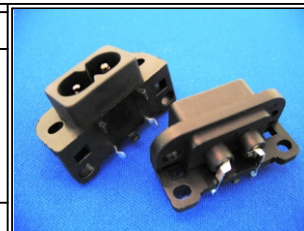
www.morethanall.com

RoHS Compliant

DRAWING BY CY
 CHECKED BY GENIUS
 UNIT / mm SCALE 1 : 1
 DATE
 SIZE A4 PPROJECTION

TOLERANCES ARE

X.±
 .X±
 .XX±
 .XXX±
 ANG±



ORDER INFORMATION

ACC-PRPEB-02-LF
 SERIES | | | | LEADFREE
 | | | | 02 WAY
 | | | | BRACKET
 MALE | | | | EAR
 | | | | PANEL
 | | | | DIP 90°

DESCRIPTION: