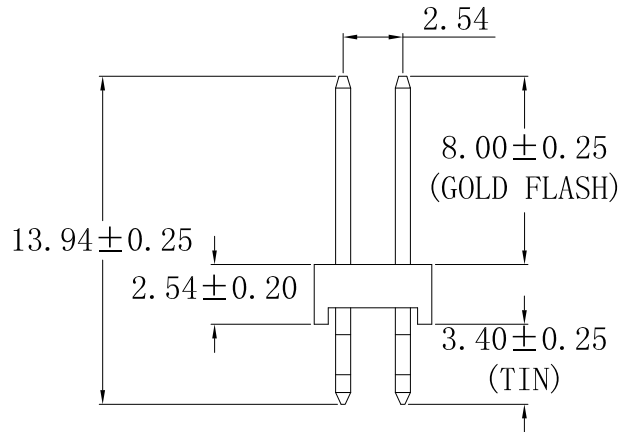
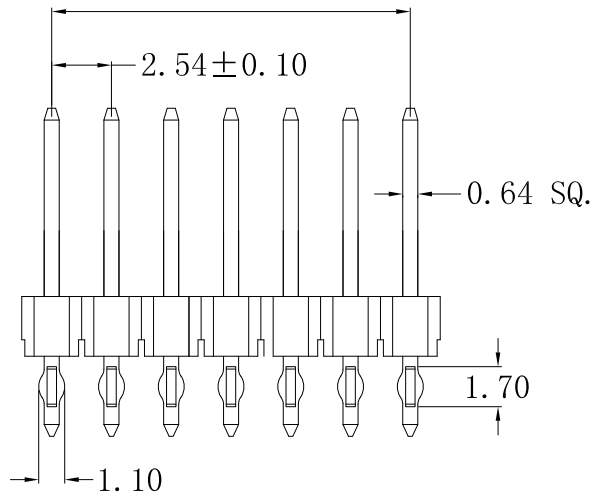


RECOMMENDED P. C. B LAYOUT

$$2.54 \times (\text{CONTACTS}/2-1) \pm 0.20$$



CONTACTS	
	2×21
2×2	2×22
2×3	2×23
2×4	2×24
2×5	2×25
2×6	2×26
2×7	2×27
2×8	2×28
2×9	2×29
2×10	2×30
2×11	2×31
2×12	2×32
2×13	2×33
2×14	2×34
2×15	2×35
2×16	2×36
2×17	2×37
2×18	2×38
2×19	2×39
2×20	2×40

MATERIAL

HOUSING : PBT, UL94V-0

CONTACT : BRASS

PLATED : GOLD-FLASH AND TIN-PLATED

COLOR : NATURAL(BLACK)

SPECIFICATION

CURRENT : 3A

OPERATING TEMPERAURE : -40°C TO +105°C

CONTACT RESISTANCE : 20 MILLIOHMS MAX

INSULATION RESISTANCE: 1000 MEGAOHMS MIN

WITHSTAND VOLTAGE : 500 V AC MIN

RoHS Compliant

TOLERANCES ARE

MORETHANALL
PCB CONNECTORS
Cable ASSEMBLIES

DRAWING BY CY

CHECKED BY GENIUS

UNIT / mm

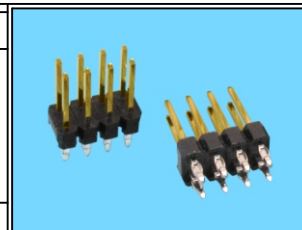
SCALE 1 : 1

DATE

SIZE A4

PPOJECTION

X, ±
.X ± 0.38
.XX ± 0.25
.XXX ±
ANG ± 5°



ORDER INFORMATION

H-P1398034-2Xxx-LF
SERIES | LEADFREE
PRESS FIT | 2X02:04 WAY
DIP 3.4mm | 2X40:80 WAY
CONTACT 8.0mm
TOTAL 13.94mm

DESCRIPTION: PIN HEADER 2.54Pitch H:2.54 雙排 180° 魚眼頭

煜倫股份有限公司

www.morethanall.com