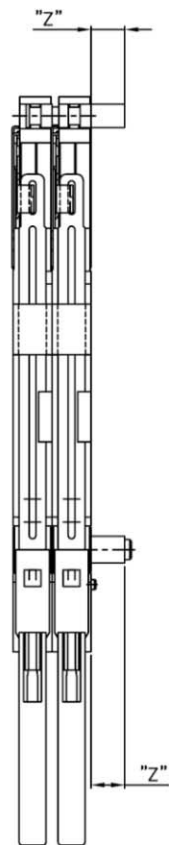
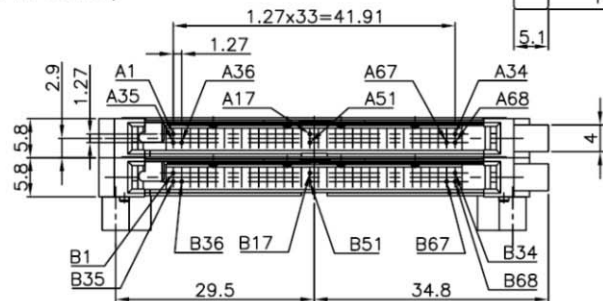


PC CARD POSITION
(PLUG IN STATUS)



P/N	VOLT		"Y"		STAND-OFF	REMARK
	3.3V	5V	M2	Ø2.1	"Z"	
● PCCB1-PWL00V3RNS-68	✓		✓		0.0	
PCCB1-PWL22V3RNS-68	✓		✓		2.2	
PCCB1-PWL50V3RNS-68	✓		✓		5.0	
PCCB1-PWL55V3RNS-68	✓		✓		5.5	
	✓			✓	0.0	
	✓			✓	2.2	
	✓			✓	5.0	
	✓			✓	5.5	
PCCB1-PWL00V5RNS-68		✓	✓		0.0	
PCCB1-PWL22V5RNS-68		✓	✓		2.2	
PCCB1-PWL50V5RNS-68		✓	✓		5.0	
PCCB1-PWL55V5RNS-68		✓	✓		5.5	
		✓		✓	0.0	
		✓		✓	2.2	
		✓		✓	5.0	
		✓		✓	5.5	

- MATERIAL:
 - (A) HEADER HOUSING : G.F. THERMOPLASTIC UL94V-0, BLACK.
 - PIN : COPPER ALLOY
 - (B) EJECT MECHANISM GUIDE : G.F. THERMOPLASTIC UL94V-0, BLACK.
 - EJECT & PLATE : STEEL.
 - PUSH BUTTON : THERMOPLASTIC UL94V-0, BLACK.
- DIMENSION "X" :
 - X=5.00mm : PIN No.1,17,34,35,51,68
 - X=3.50mm : PIN No.36,67
 - X=4.25mm : OTHERS
- FINISH:
 - PIN ALL Ni UNDER PLATING
 - GOLD PLATING ON FRONT CONTACT AREA.
 - TIN-LEAD PLATING ON SOLDERTAIL.
- GENERAL TOLERANCE : ±0.3
- LAYOUT DWG. No.:P-ADB-232

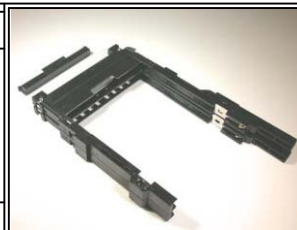
RoHS Compliant

TOLERANCES ARE

MORETHANALL
PCB CONNECTORS
Cable ASSEMBLIES
煜倫股份有限公司

DRAWING BY CY
CHECKED BY GENIUS
UNIT / mm SCALE 1 : 1
DATE
SIZE A4 PPROJECTION

X, ±
.X ±
.XX ±
.XXX ±
ANG ±



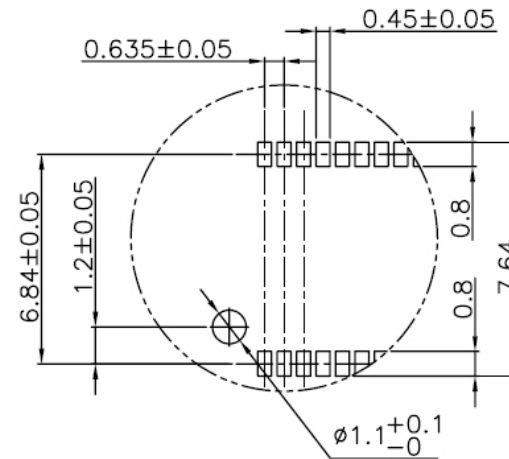
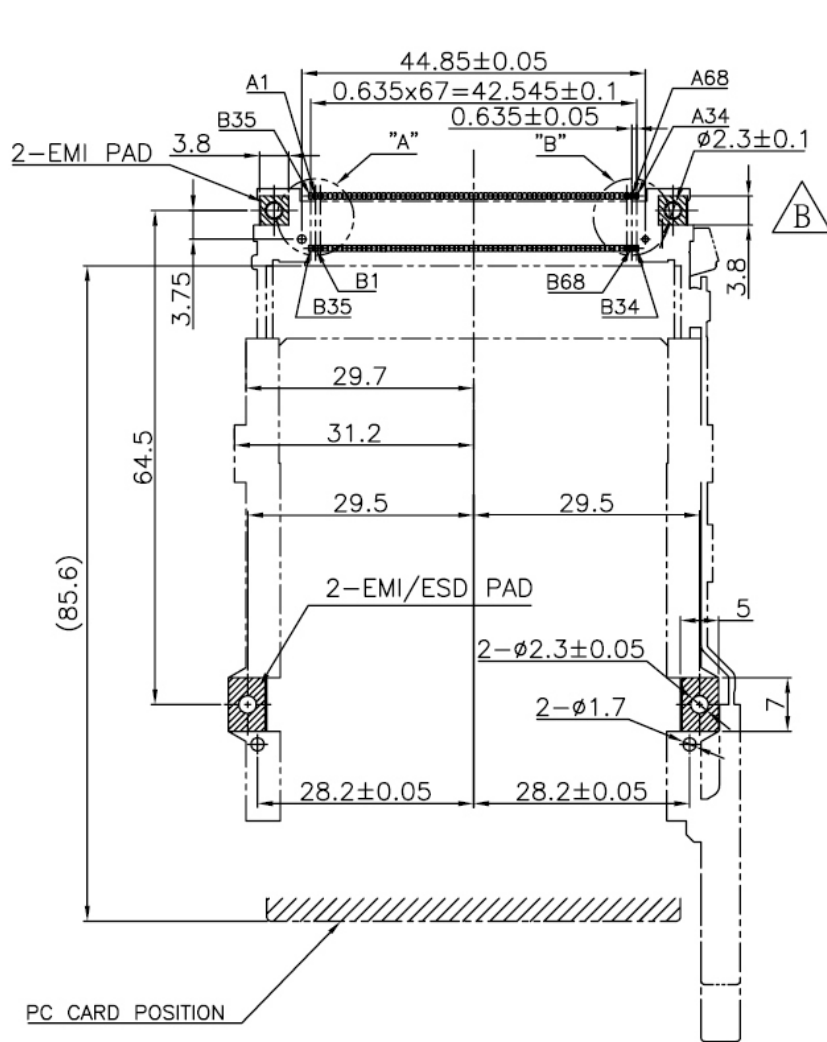
ORDER INFORMATION

PCCB1-PWLxxVxRNS-68-LF

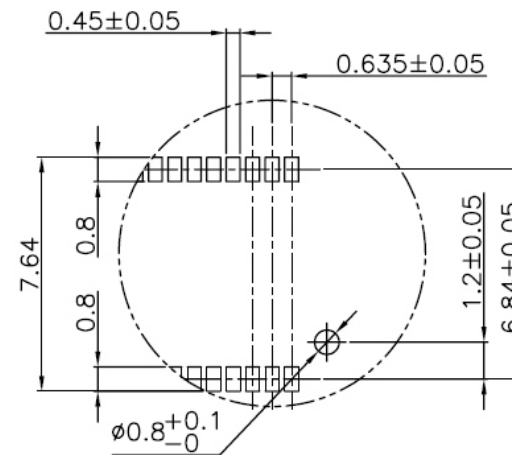
SERIES MALE 90°SMT LONG RAIL V3:3.3V V5:5.0V 00:STANDOFF 0.0mm 22:STANDOFF 2.2mm 50:STANDOFF 5.0mm 55:STANDOFF 5.5mm LEADFREE 68WAY STRAIGHT NUT RIGHT

DESCRIPTION:

www.morethanall.com



DETAIL "A"
4 : 1



DETAIL "B"
4 : 1

RECOMMENDED PCB LAYOUT
(1) STAND OFF 0.0mm ONLY

RoHS Compliant

TOLERANCES ARE

MORETHANALL
PCB CONNECTORS
Cable ASSEMBLIES

DRAWING BY CY

X, ±

CHECKED BY GENIUS

.X ±

UNIT / mm

SCALE 1 : 1

.XX ±

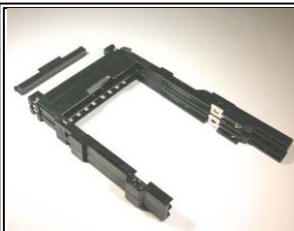
DATE

.XXX ±

ANG ±

SIZE A4

P PROJECTION



ORDER INFORMATION

PCCB1-PWLxxVxRNS-68-LF

SERIES	MALE	90°SMT	LONG RAIL	V3:3.3V	V5:5.0V	00:STANDOFF 0.0mm	22:STANDOFF 2.2mm	50:STANDOFF 5.0mm	55:STANDOFF 5.5mm	LEADFREE	68WAY	STRAIGHT	NUT	RIGHT
--------	------	--------	-----------	---------	---------	-------------------	-------------------	-------------------	-------------------	----------	-------	----------	-----	-------

煜倫股份有限公司

www.morethanall.com

DESCRIPTION: