

Notes:

MATERIAL:

Insulator: High Temperature Thermoplastic,
Color Black ,UL 94V-0.

Contact: Phosphor-Bronze

Shell: Stainless Steel

PLATING:

Contact: Plated 50u" Ni Overall

Plated Au Selective Contact Area

Plated 100u" Sn Over Ni On Solder Area

Shell: Plated 50u" Ni Overall

Plated Au Selective Solder Area

RoHS Compliant

TOLERANCES ARE

MORETHANALL
PCB CONNECTORS
Cable ASSEMBLIES

煜倫股份有限公司

www.morethanall.com

DRAWING BY CY

CHECKED BY GENIUS

UNIT / mm

SCALE 1 : 1

DATE

SIZE A4

X. ± 0.50

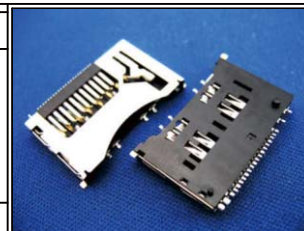
.X ± 0.30

.XX ± 0.20

.XXX ±

ANG ±

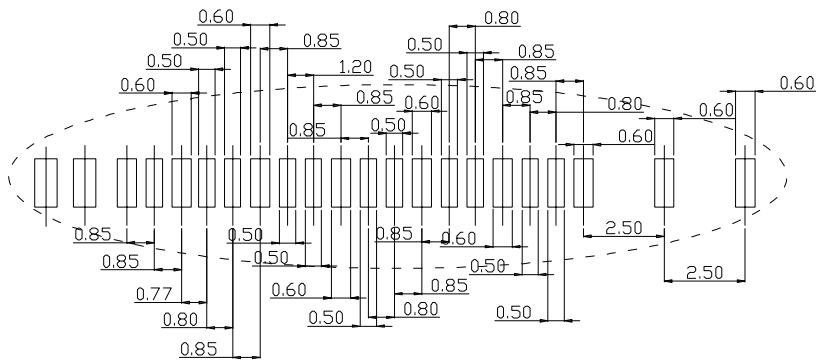
PJECTION



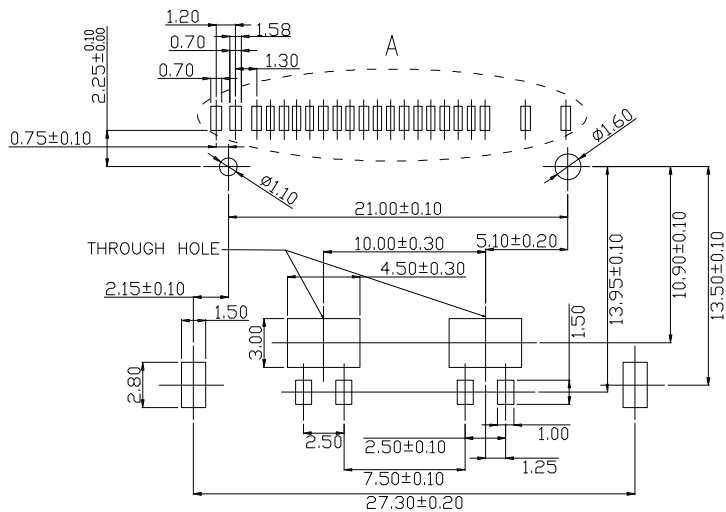
ORDER INFORMATION

MHC-W21-601-LF
SERIES | LEADFREE
SD&MMC 6 IN 1
POST 21.00mm
90°SMT

DESCRIPTION: SD & mini SD & MMC & RS MMC & MMC 4.0 & RS MMC 4.0 black g/f

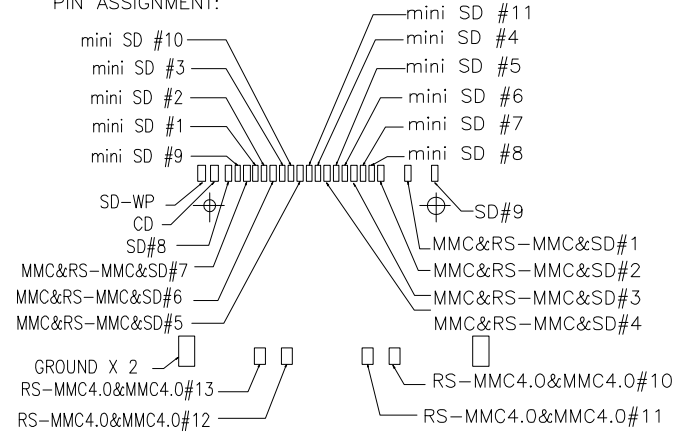


Detail A Scale 4:1

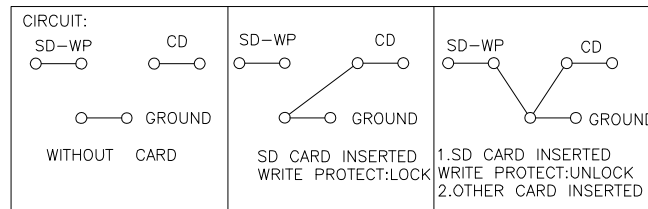


RECOMMEND PCB LAYOUT: (Unit:mm .X ± 0.15 .XX ± 0.05 .XXX ± 0.02)

PIN ASSIGNMENT:



PIN NO.	MEMORY CARD PIN NO.
MMC4.0&MMC&SD#1	CD/DAT3
MMC4.0&MMC&SD#2	CMD
MMC4.0&MMC&SD#3	Vss1
MMC4.0&MMC&SD#4	VDD
MMC4.0&MMC&SD#5	CLK
MMC4.0&MMC&SD#6	Vss2
MMC4.0&MMC&SD#7	DAT0
MMC4.0&SD#8	DAT1
MMC4.0&SD#9	DAT2
MMC4.0
	DAT4
MMC4.0	DAT5
MMC4.0	DAT6
MMC4.0	DAT7
miniSD#1	CD/DAT3
miniSD#2	CMD
miniSD#3	Vss1
miniSD#4	VDD
miniSD#5	CLK
miniSD#6	Vss2
miniSD#7	DAT0
miniSD#8	DAT1
miniSD#9	DAT2
miniSD#10	NC
miniSD#11	NC



RoHS Compliant

TOLERANCES ARE

MORETHANALL
PCB CONNECTORS
Cable ASSEMBLIES

DRAWING BY CY

CHECKED BY GENIUS

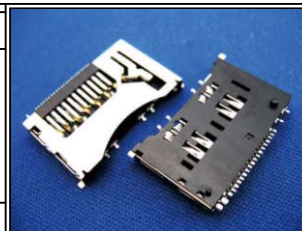
UNIT / mm SCALE 1 : 1

DATE

SIZE A4

X. ± 0.50
.X ± 0.30
.XX ± 0.20
.XXX ±
ANG ±

PJECTION



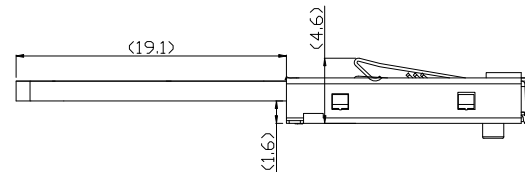
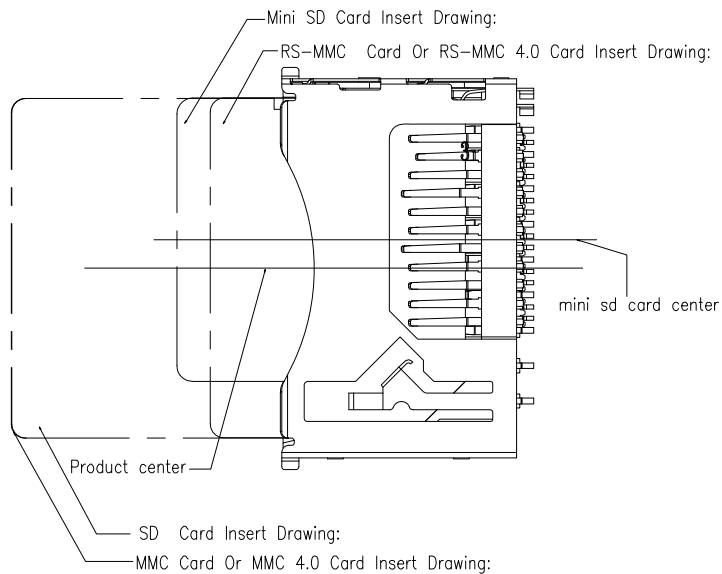
ORDER INFORMATION

MHC-W21-601-LF
SERIES | LEADFREE
SD&MMC 6 IN 1
POST 21.00mm
90°SMT

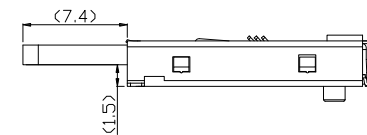
DESCRIPTION: SD & mini SD & MMC & RS MMC & MMC 4.0 & RS MMC 4.0 black g/f

煜倫股份有限公司

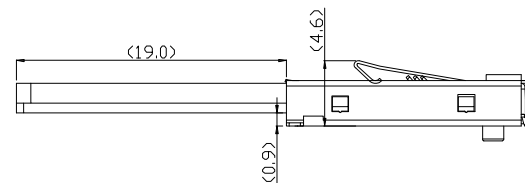
www.morethanall.com



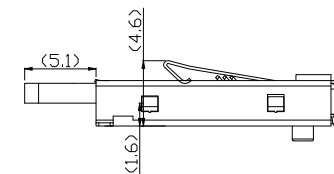
MMC Card Or MMC 4.0 Card Insert Drawing:



Mini SD Card Insert Drawing:



SD Card Insert Drawing:



RS-MMC Card Or RS-MMC 4.0 Card Insert Drawing:

RoHS Compliant

TOLERANCES ARE

MORETHANALL
PCB CONNECTORS
Cable ASSEMBLIES

煜倫股份有限公司

www.morethanall.com

DRAWING BY CY

CHECKED BY GENIUS

UNIT / mm

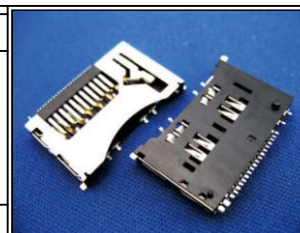
SCALE 1 : 1

DATE

SIZE A4

PPOJECTION

X. ± 0.50
.X ± 0.30
.XX ± 0.20
.XXX ±
ANG ±



ORDER INFORMATION

MHC-W21-601-LF
SERIES | LEADFREE
SD&MMC 6 IN 1
POST 21.00mm
90°SMT

DESCRIPTION: SD & mini SD & MMC & RS MMC & MMC 4.0 & RS MMC 4.0 black g/f