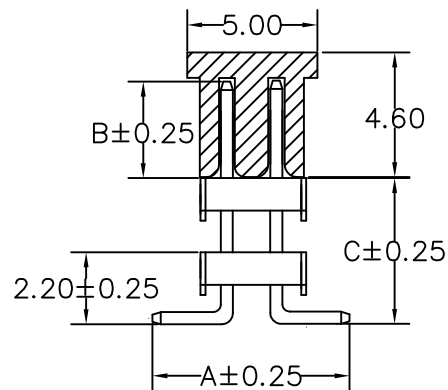
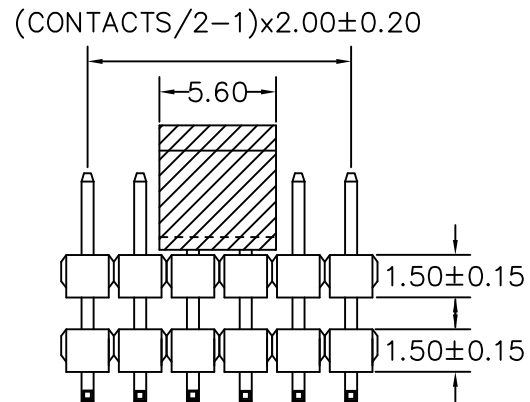


RECOMMENDED P.C.B LAYOUT



A: 6.50 mm B: 5.00 mm C: 4.00 mm

CONTACTS	2X21
2X2	2X22
2X3	2X23
2X4	2X24
2X5	2X25
2X6	2X26
2X7	2X27
2X8	2X28
2X9	2X29
2X10	2X30
2X11	2X31
2X12	2X32
2X13	2X33
2X14	2X34
2X15	2X35
2X16	2X36
2X17	2X37
2X18	2X38
2X19	2X39
2X20	2X40

MATERIAL

HOUSING : NY6T,UL94V-0
 CAP : NY6T,UL94V-0
 CONTACT : COPPER ALLOYS
 PLATED : GOLD-FLASH
 COLOR : BLACK

SPECIFICATION

CURRENT: 1A
 OPERATING TEMPERATURE: -55°C TO +105°C
 CONTACT RESISTANCE : 20 MILLIOHMS MAX
 INSULATION RESISTANCE : 1000 MEGAOHMS MIN
 DIELECTRIC STRENGTH : 500 V AC MIN

RoHS Compliant

TOLERANCES ARE

MORETHANALL
 PCB CONNECTORS
 Cable ASSEMBLIES

DRAWING BY CY

CHECKED BY GENIUS

UNIT / mm

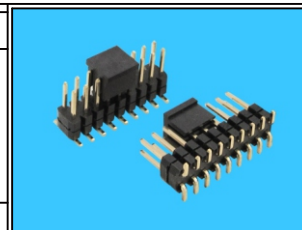
SCALE 1 : 1

DATE

SIZE A4

X, ±
 .X ± 0.38
 .XX ± 0.25
 .XXX ±
 ANG ± 5°

P PROJECTION



ORDER INFORMATION

MS-V040X50C-2Xxx-LF
 SERIES | | | | LEADFREE
 180°SMT | | | | 2X02:04WAY
 HIGH 4.0mm | | | | 2X40:80WAY
 | | | | CAP
 | | | | CONTACT 5.0mm
 | | | | NON POST

煜倫股份有限公司

www.morethanall.com

DESCRIPTION: