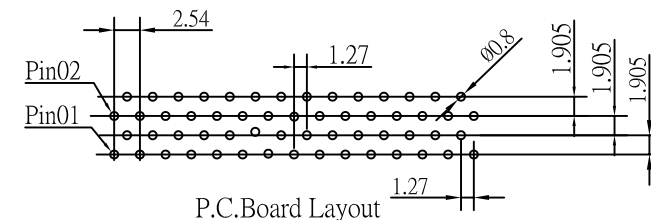
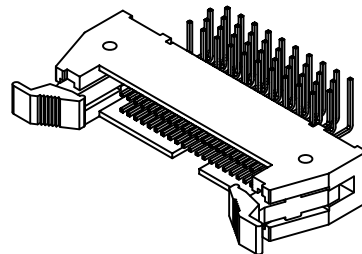
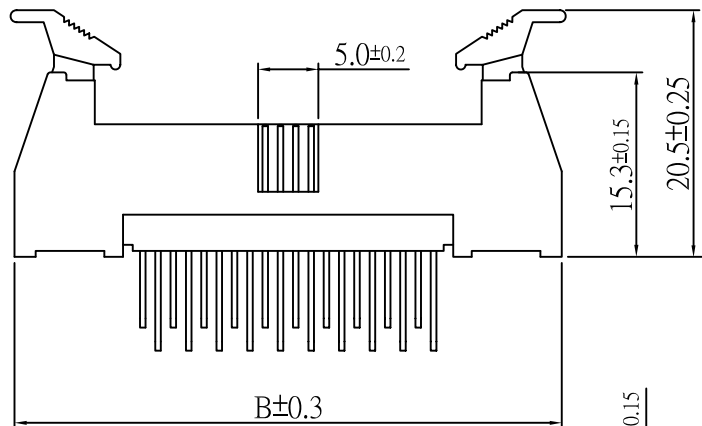


Circuits	Dimension		
	A	B	C
10	5.08	26.15	12.86
26	15.24	36.31	23.02
30	17.78	38.85	25.56
34	20.32	41.39	28.10
50	30.48	51.55	38.26
70	43.18	64.25	50.96



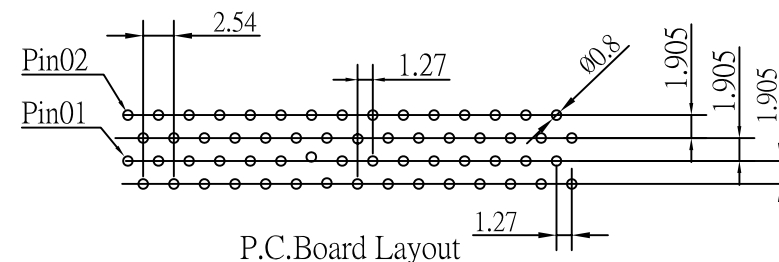
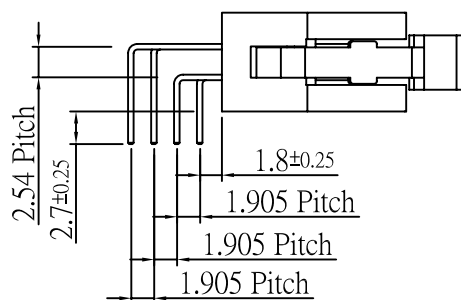
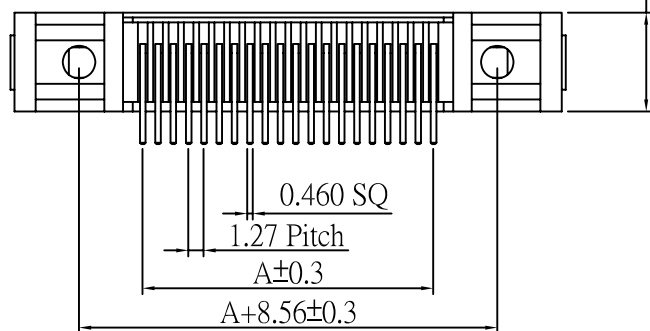
Contact:

Contact: Brass.

Insulator: PBT.

Finish: Gold flash plated over nickel.

Circuits	Dimension		
	A	B	C
16	8.89	29.96	16.67
20	11.43	32.50	19.21
40	24.13	45.20	31.91
44	26.67	47.74	34.45
60	36.83	57.90	44.61
80	49.53	70.60	57.31
100	62.23	83.30	70.01



RoHS Compliant

TOLERANCES ARE

**MORETHANALL**  
PCB CONNECTORS  
Cable ASSEMBLIES

DRAWING BY CY

X.±

CHECKED BY GENIUS

.X±

UNIT / mm

SCALE 1 : 1

.XX±

DATE

.XXX±

ANG ±

煜倫股份有限公司

www.morethanall.com

SIZE A4

PPOJECTION



ORDER INFORMATION

HL-R4SL-xxx-LF  
SERIES | LEADFREE  
016-100 WAY  
SHORT LATCH  
4 ROW  
DIP 90°

DESCRIPTION: 1.27-2.54 PITCH SHROUDED HEADER Short Leve