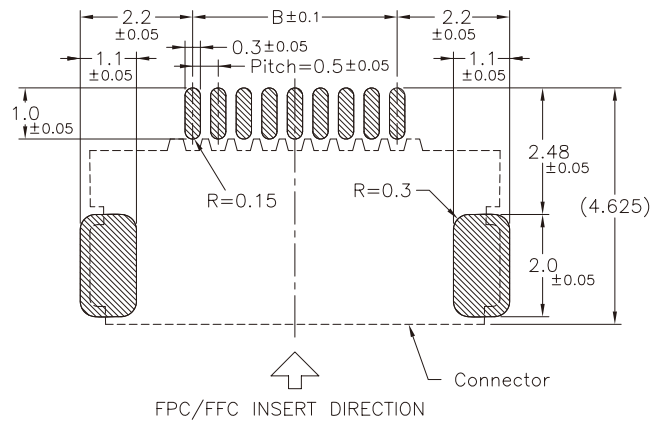
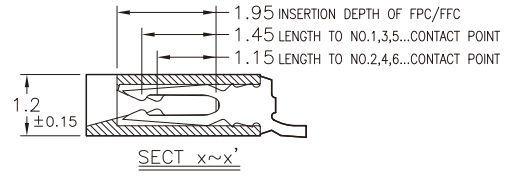
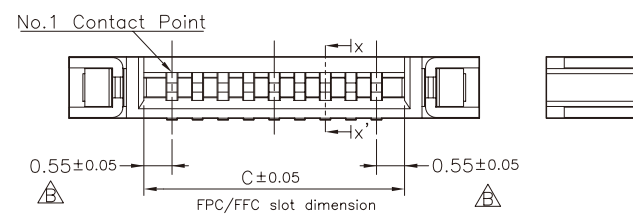
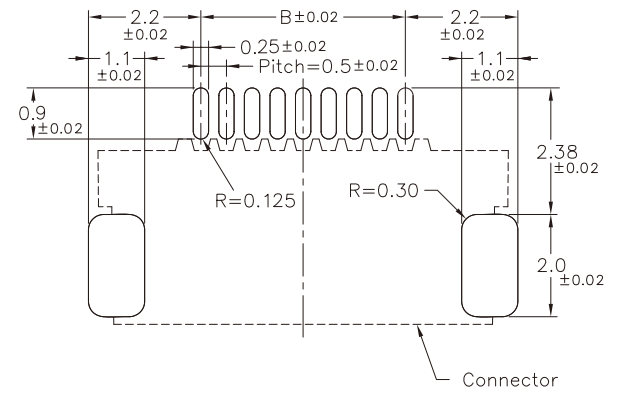


NOTE:
 1.MATERIAL:
 HOUSING:THERMOPLASTIC
 CONTACTS:COPPER ALLOY
 2.PLATING:
 CONTACTS:SEE ORDERING INFORMATION
 SOLDER PAD:TIN OVER NICKEL
 3.RATING:
 OPERATING VOLTAGE:50V
 CURRENT RATING:0.4A
 OPERATING TEMPERATURE:-55°C ~ +85°C

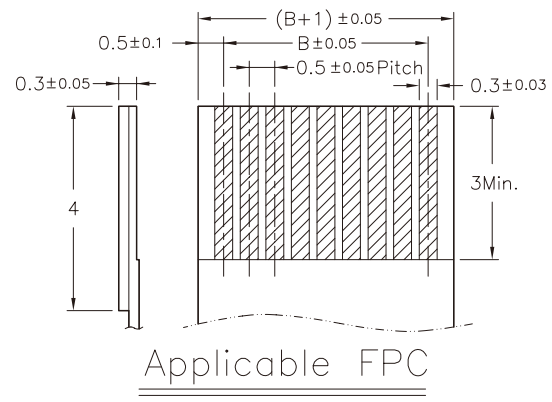
No.of Contacts	DIM. A	DIM. B	DIM. C
4	5.53	1.5	2.6
5	6.03	2	3.1
6	6.53	2.5	3.6
7	7.03	3	4.1
8	7.53	3.5	4.6
9	8.03	4	5.1
10	8.53	4.5	5.6
11	9.03	5	6.1
12	9.53	5.5	6.6
13	10.03	6	7.1
14	10.53	6.5	7.6
15	11.03	7	8.1
16	11.53	7.5	8.6
17	12.03	8	9.1
18	12.53	8.5	9.6
19	13.03	9	10.1
20	13.53	9.5	10.6
21	14.03	10	11.1
22	14.53	10.5	11.6
26	15.03	11	12.1
24	15.53	11.5	12.6
25	16.03	12	13.1
26	16.53	12.5	13.6
27	17.03	13	14.1
28	17.53	13.5	14.6
29	18.03	14	15.1
30	18.53	14.5	15.6
31	19.03	15	16.1
32	19.53	15.5	16.6
33	20.03	16	17.1
34	20.53	16.5	17.6
35	21.03	17	18.1
36	21.53	17.5	18.6
37	22.03	18	19.1
38	22.53	18.5	19.6
39	23.03	19	20.1
40	23.53	19.5	20.6
41	24.03	20	21.1
42	24.53	20.5	21.6
43	25.03	21	22.1
44	25.53	21.5	22.6
45	26.03	22	23.1
46	26.53	22.5	23.6
47	27.03	23	24.1
48	27.53	23.5	24.6
49	28.03	24	25.1
50	28.53	24.5	25.6



PCB Layout



RECOMMENDED METAL MASK PATTERN (TNHICKNESS.1mm)



Applicable FPC

本部品不含有環境管理物質規定之有害物質

RoHS Compliant

MORETHANALL
 PCB CONNECTORS
 Cable ASSEMBLIES
煜倫股份有限公司
 www.morethanall.com

DRAWING BY CY		TOLERANCES ARE X. ± .X ± .XX ± .XXX ± ANG ±
CHECKED BY GENIUS		
UNIT / mm	SCALE 1:1	
DATE		
SIZE A4	P PROJECTION	

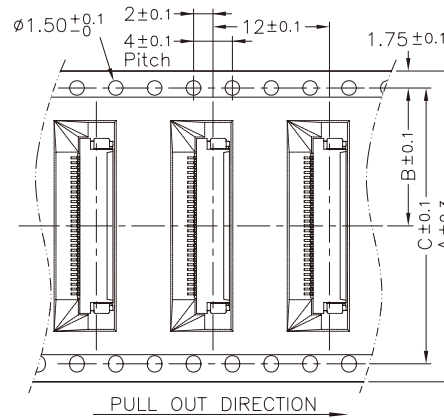
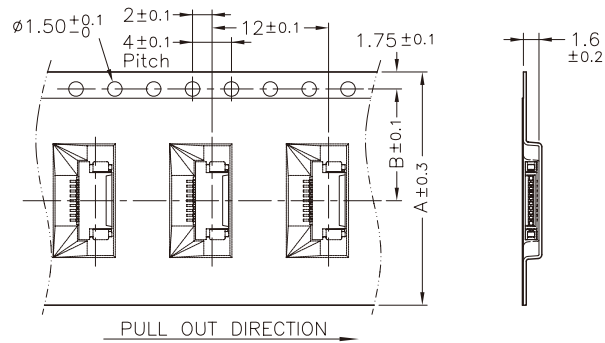
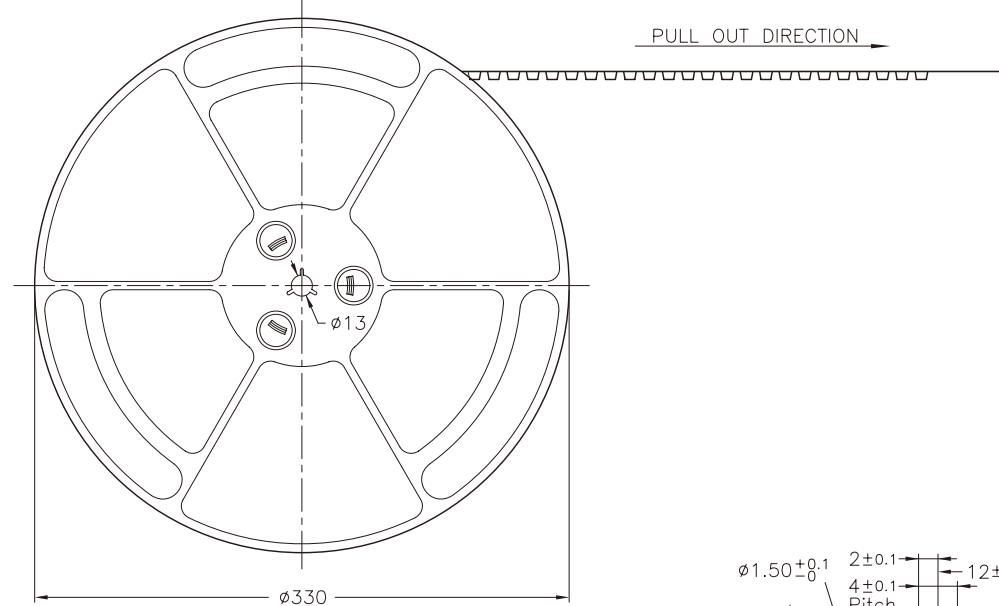
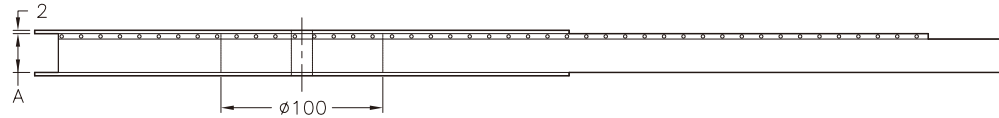


ORDER INFORMATION

FPV-WL2E12GR-xx-LF
 SERIES | | | | | LEADFREE
 04~50 WAY
 90°SMT REEL
 NON ZIF GOLD FLASH
 DUAL CONTACT EAR HIGH 1.2mm

DESCRIPTION:

EMBOSSED TAPE PACKING



Note:

1. 10 sprocket hole pitch cumulative tolerance ±0.2.
2. Carrier camber is within 1 mm in 250mm.
3. Material : Black Conductive Polystyrene Alloy.
4. All dimensions meet EIA-481-B requirements.
5. Thickness : 0.3±0.05mm.
6. Component load per 13" reel :3000 pcs.
7. For tape width (dimension A) 16mm and 24mm a pilot hole is provided on one side. For tape width (dimension A) 32mm and 44mm pilot holes are provided on both sides.

No. of Contacts	DIM. A	DIM. B	DIM. C
04 ↓ 18	24	11.5	—
19 ↓ 29	32	14.2	28.4
30 ↓ 50	44	20.2	40.4

本部品不含有環境管理物質規定之有害物質

RoHS Compliant

MORETHANALL
PCB CONNECTORS
Cable ASSEMBLIES
煜倫股份有限公司

www.morethanall.com

DRAWING BY CY

CHECKED BY GENIUS

UNIT / mm SCALE 1:1

DATE

SIZE A4

TOLERANCES ARE

X. ±
.X ±
.XX ±
.XXX ±
ANG ±

P PROJECTION



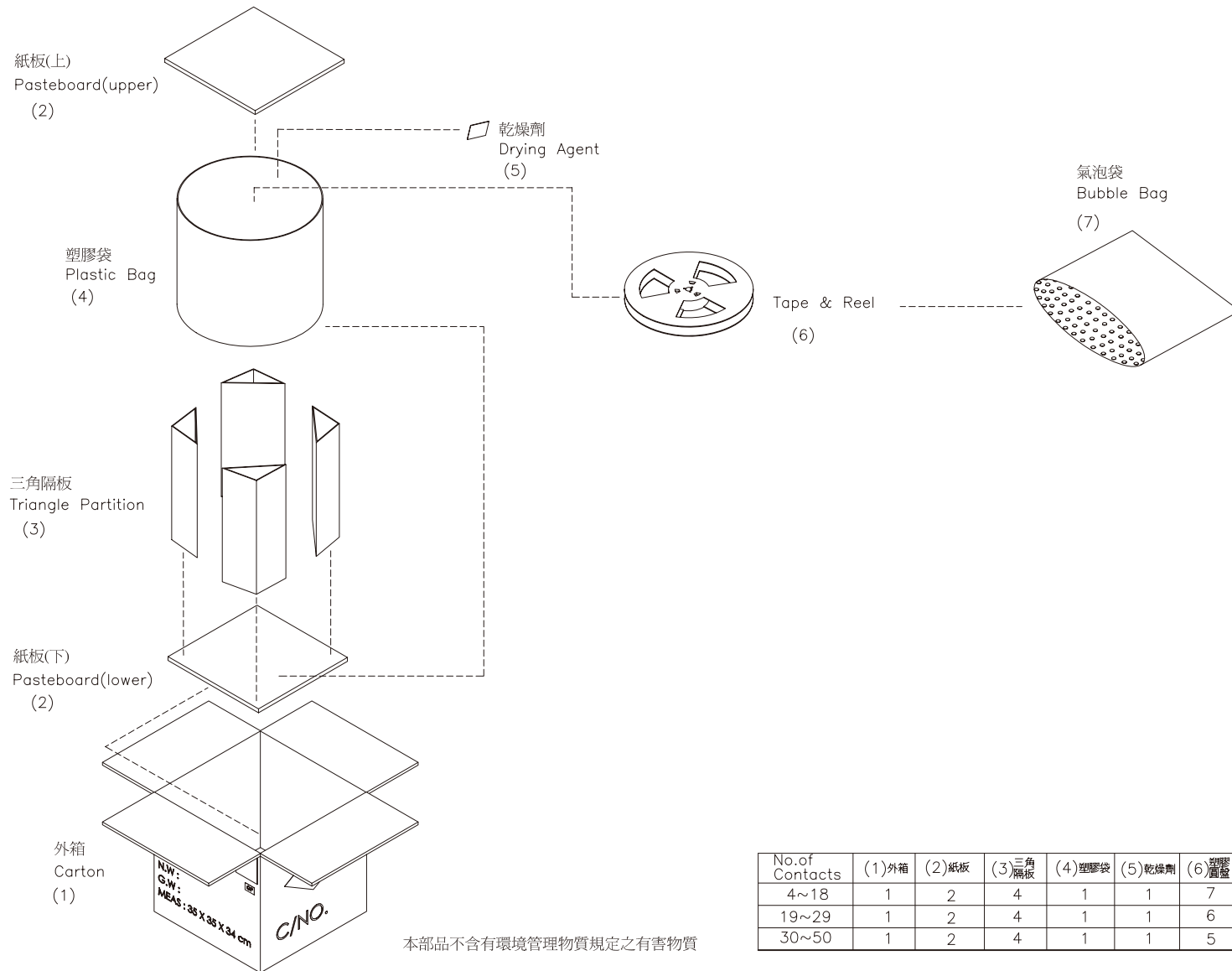
ORDER INFORMATION

FPV-WL2E12GR-xx-LF

SERIES | | | | | LEADFREE
04~50 WAY

90°SMT REEL
NON ZIF GOLD FLASH
DUAL CONTACT EAR HIGH 1.2mm

DESCRIPTION:



No. of Contacts	(1)外箱	(2)紙板	(3)三角隔板	(4)塑膠袋	(5)乾燥劑	(6)塑膠袋	(7)氣泡袋
4~18	1	2	4	1	1	7	7
19~29	1	2	4	1	1	6	6
30~50	1	2	4	1	1	5	5

RoHS Compliant

TOLERANCES ARE

MORETHANALL
PCB CONNECTORS
Cable ASSEMBLIES
煜倫股份有限公司

DRAWING BY CY

CHECKED BY GENIUS

UNIT / mm SCALE 1:1

DATE

SIZE A4

X, ±
.X ±
.XX ±
.XXX ±
ANG ±

PPOJECTION



ORDER INFORMATION

FPV-WL2E12GR-xx-LF
SERIES | | | | | LEADFREE
04~50 WAY
90°SMT REEL
NON ZIF GOLD FLASH
DUAL CONTACT EAR HIGH 1.2mm

DESCRIPTION:

www.morethanall.com