

RECOMMENDED P.C.B.LAYOUT (THK=1.20MM)
TOP VIEW (TOLERANCES: ±0.05mm)

RoHS Compliant

TOLERANCES ARE



煜倫股份有限公司

www.morethanall.com

DRAWING BY CY

CHECKED BY GENIUS

UNIT / mm SCALE 1 : 1

DATE

SIZE A4

X. ± 0.30
.X ± 0.38
.XX ± 0.25
.XXX ± 0.13
ANG ± 3°

P PROJECTION



ORDER INFORMATION

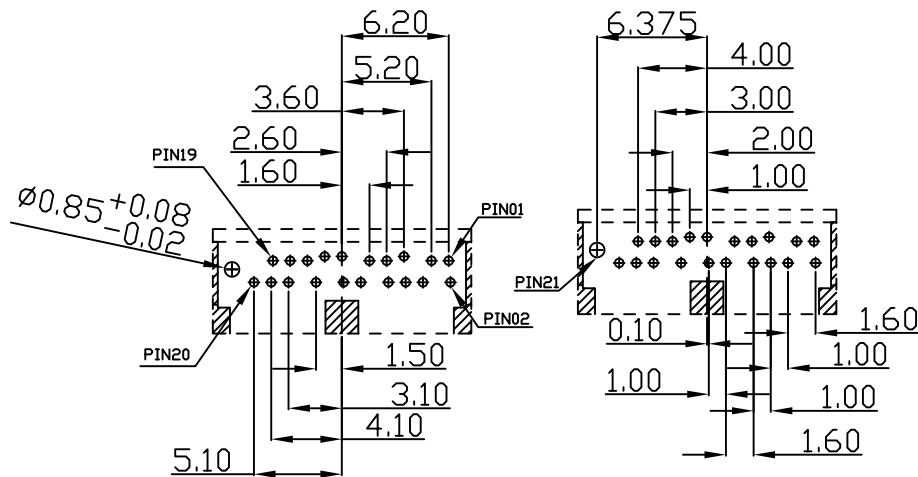
DISPHDMI-SRCR-2019-LF

SERIES REEL MYLAR DIP 90° FEMALE
LEADFREE 20P+19P

DESCRIPTION: Displayport / HDMI ,2 IN 1 R/A, STD, DIP, TYPE.

NOTE: 1.MATERIAL:
 (A):HOUSING: THERMOPLASTIC, HIGH TEMP.
 (POLYPLASTICS E130i),UL94V-0;
 (C):CONTACTS: ALLOY COPPER .
 (B):SHELL:STEEL.
 (D):LATCH:STEEL .
 (E):DETAIL PIN:STEEL.

2.FINISH:
 CONTACT:
 GOLD PLATING ON CONTACT AREA.
 2.54um(100 MIRCO) MIN. TIN PLATING ON SOLDER TAILS.
 1.27um(50 MIRCO) MIN. NICKEL UNDER PLATING OVER ALL.
 SHELL:
 1.27um(50 MIRCO) MIN. NICKEL OVERALL.
 DETAIL PIN:
 1.27um(50 MIRCO) MIN. NICKEL OVERALL.



HDMI		DISPLAYPORT	
PIN	SIGNAL NAME	PIN	SIGNAL NAME
1	TMDS Data2+	1	ML_LANE 0(p)
2	TMDS Data2 Shield	2	GND
3	TMDS Data2-	3	ML_LANE 0(n)
4	TMDS Data1+	4	ML_LANE 1(p)
5	TMDS Data1 Shield	5	GND
6	TMDS Data1-	6	ML_LANE 1(n)
7	TMDS Data0+	7	ML_LANE 2(p)
8	TMDS Data0 Shield	8	GND
9	TMDS Data0-	9	ML_LANE 2(n)
10	TMDS Clock+	10	ML_LANE 3(p)
11	TMDS Clock Shield	11	GND
12	TMDS Clock-	12	ML_LANE 3(n)
13	CEC	13	GND
14	reserved (in cable but N.C. on device)	14	GND
15	SCL	15	AUX CH (p)
16	SDA	16	GND
17	DDC/CEC GROUND	17	AUX CH (n)
18	+5V Power	18	Hot Plug Detect
19	Hot Plug Detect	19	Return
21		20	DP_PWR
		21	

RoHS Compliant

TOLERANCES ARE

MORETHANALL
 PCB CONNECTORS
 Cable ASSEMBLIES

DRAWING BY CY

X. ± 0.30

CHECKED BY GENIUS

.X ± 0.38

UNIT / mm

SCALE 1 : 1

.XXX ± 0.25

DATE

.XXX ± 0.13

ANG ± 3°

SIZE A4

PJECTION



ORDER INFORMATION

DISPHDMI-SRCR-2019-LF

SERIES

LEADFREE

20P+19P

REEL

MYLAR

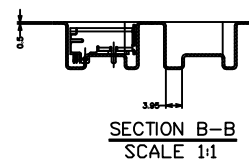
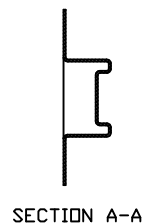
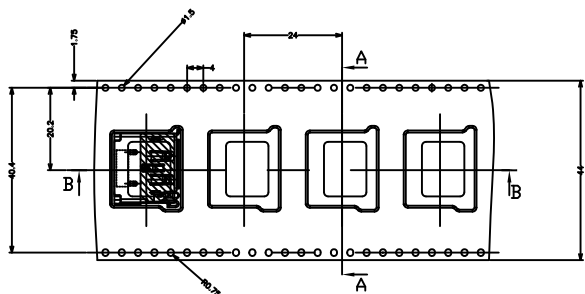
DIP 90°

FEMALE

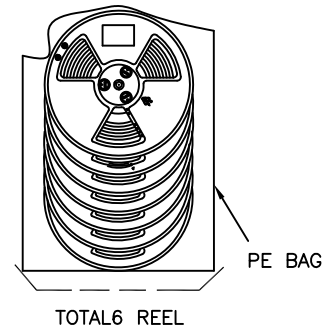
煜倫股份有限公司

www.morethanall.com

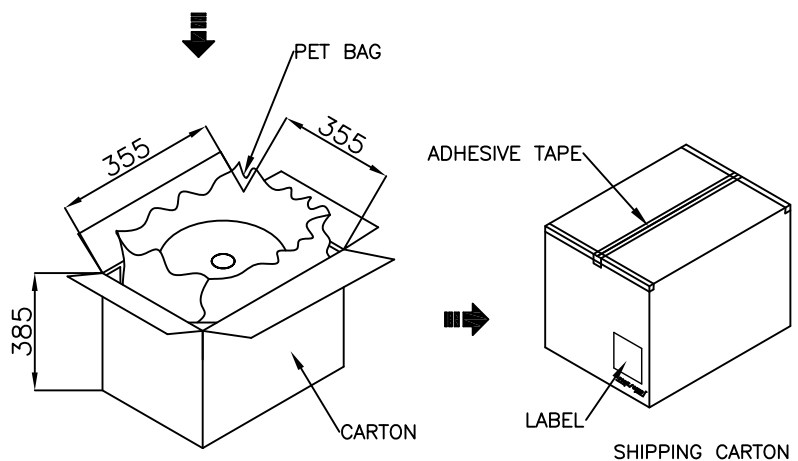
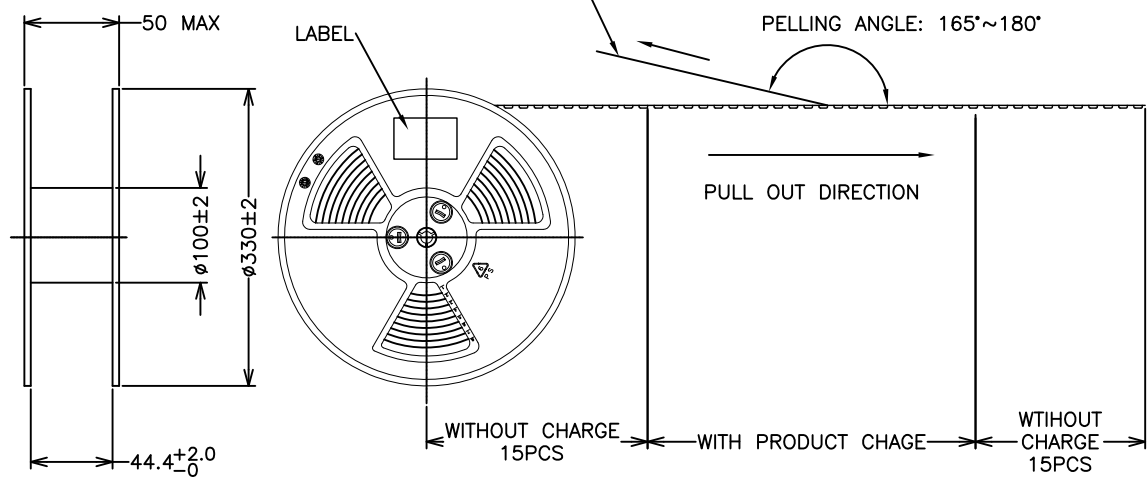
DESCRIPTION: Displayport / HDMI ,2 IN 1 R/A, STD, DIP, TYPE.



- NOTE:
1. PEELING SPEED: 300mm/MINUTE
 2. PEELING RESISTANCE: 20g~130g
 3. PEELING ANGLE: 165° ~ 180°
 4. DIMENSION:
INNER CARTON: L=355, W=355, H=385
 5. QUANTITY:
250 PCS/REEL
6 PCS REEL/SHIPPING CARTON
1500 PCS/SHIPPING CARTON



AROUND THE OUTER PERIPHERY IN A TURE.
WEEDING THE COVER TAPE.



RoHS Compliant

TOLERANCES ARE

MORETHANALL
PCB CONNECTORS
Cable ASSEMBLIES
煜倫股份有限公司
www.morethanall.com

DRAWING BY CY		X. ± 0.30
CHECKED BY GENIUS		.X ± 0.38
UNIT / mm	SCALE 1 : 1	.XX ± 0.25
DATE		.XXX ± 0.13
SIZE A4	PJECTION	ANG ± 3°



ORDER INFORMATION

DISPHDMI-SRCR-2019-LF			
SERIES	REEL	LEADFREE	
	MYLAR	20P+19P	
	DIP 90°		
	FEMALE		

DESCRIPTION: Displayport / HDMI ,2 IN 1 R/A, STD, DIP, TYPE.