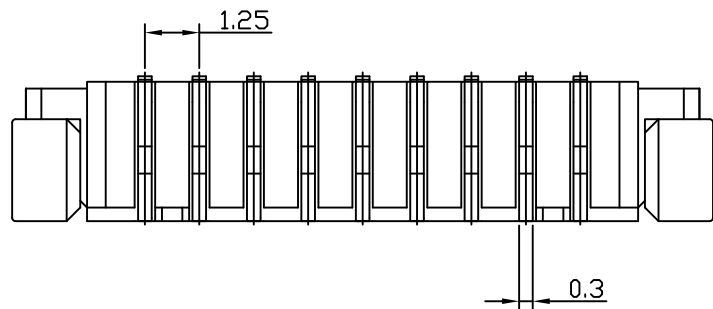
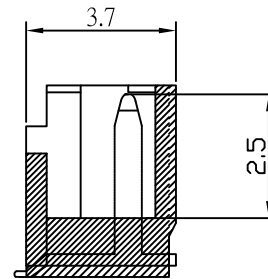
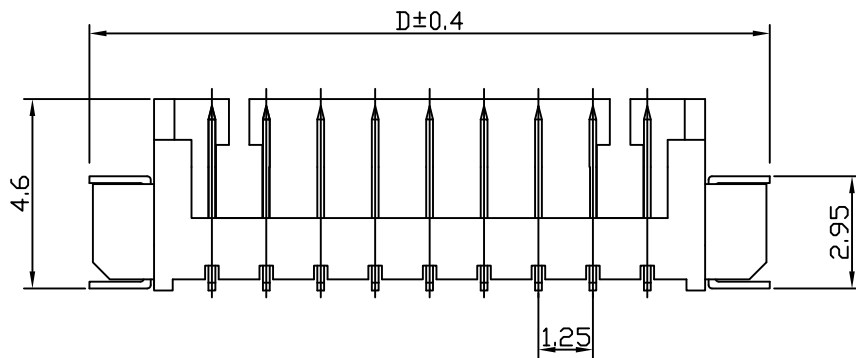


CKT.	A	B	C	D
2	1.25	3.05	4.25	7.65
3	2.50	4.30	5.50	8.90
4	3.75	5.55	6.75	10.15
5	5.00	6.80	8.00	11.40
6	6.25	8.05	9.25	12.65
7	7.50	9.30	10.50	13.90
8	8.75	10.55	11.75	15.15
9	10.00	11.80	13.00	16.40
10	11.25	13.05	14.25	17.65
11	12.50	14.30	15.50	18.90
12	13.75	15.55	16.75	20.15
13	15.00	16.80	18.00	21.40
14	16.25	18.05	19.25	22.65
15	17.50	19.30	20.50	23.90



**MATERIAL:**

WAFER:HIGH TEMPERA TURE PLASTIC  
 HTN6T UL94V-0 Natural H/F  
 Contact Pin:Phosphor Bronze,Tin Plated Over Nickel  
 Tab:Brass,Tin plated Over Nickel

**SPECIFICATION:**

Current Rating: 1A AC, DC  
 Voltage Rating: 125V AC,DC  
 Operating Temp.: -40°C ~ +85°C  
 Insulation Resistance: 100MΩ/ min.  
 Dielectric Withstanding Voltage: 250V AC/ minute  
 Contact Resistance: 20mΩ/ max.

**RoHS Compliant**

TOLERANCES ARE

**MORETHANALL**  
 PCB CONNECTORS  
 Cable ASSEMBLIES

DRAWING BY CY

CHECKED BY GENIUS

UNIT / mm

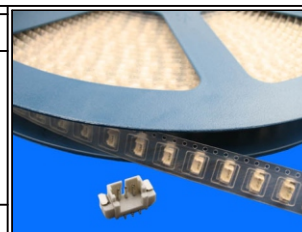
SCALE 1 : 1

DATE

SIZE A4

P PROJECTION

X, ±  
 .X ± 0.25  
 .XX ± 0.15  
 .XXX ±  
 ANG ±



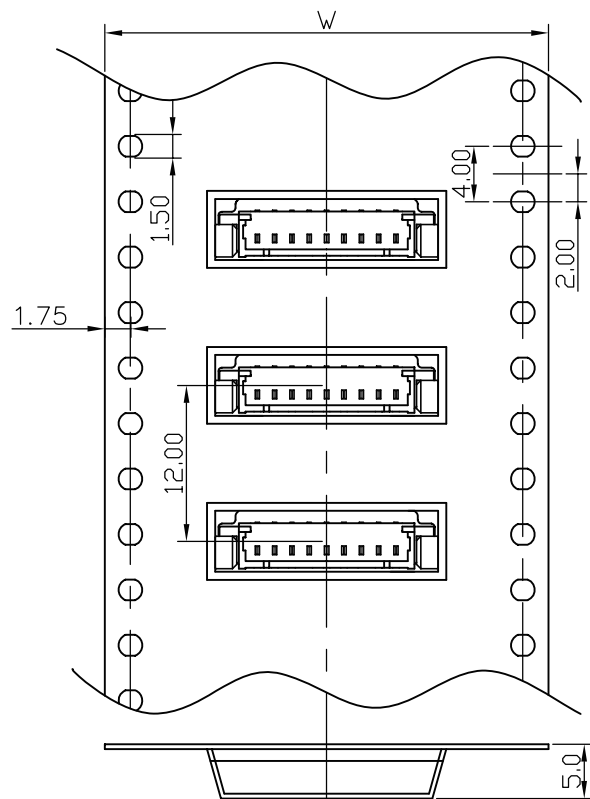
**ORDER INFORMATION**

FH-VR-xx-LF  
 SERIES | LEADFREE  
 | 02~15WAY  
 REEL  
 180°SMT

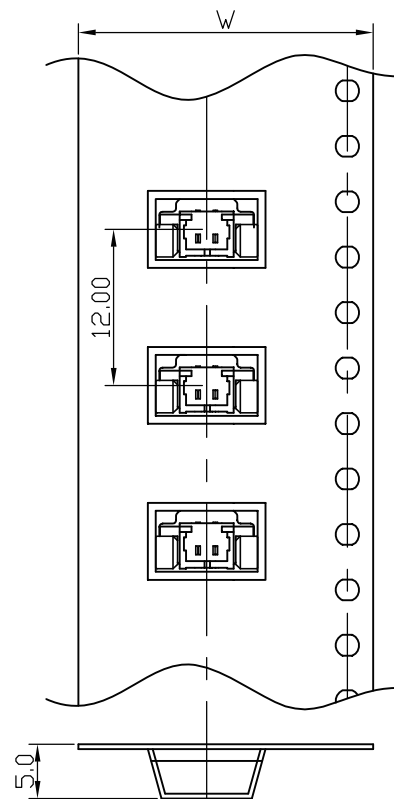
煜倫股份有限公司

www.morethanall.com

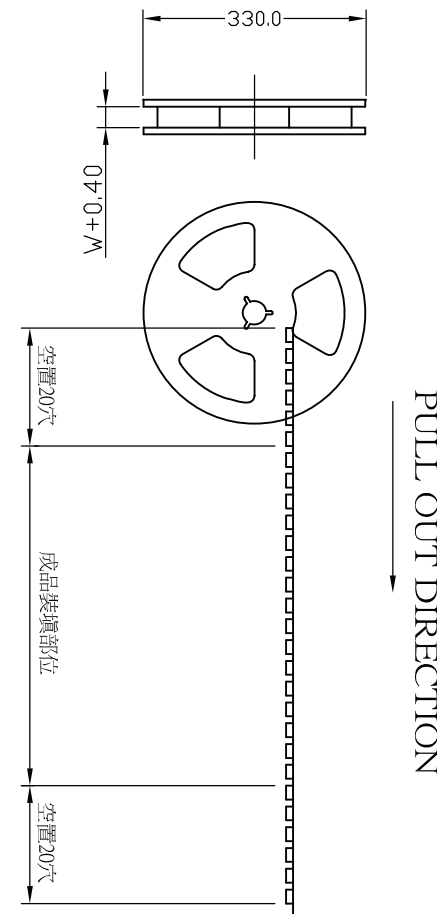
DESCRIPTION:



CARRIER FOR 10 TO 15PIN



CARRIER FOR 2 TO 9PIN



CKT.OF	2	3	4	5	6	7	8	9	10	11	12	13	14	15
DIM.W	16.0 (0.630)	24.0 (0.944)			32.0 (1.260)			44.0 (1.730)						
AMOUNT	1000 PCS													

RoHS Compliant

**MORETHANALL**  
PCB CONNECTORS  
Cable ASSEMBLIES

煜倫股份有限公司

www.morethanall.com

DRAWING BY CY

CHECKED BY GENIUS

UNIT/mm SCALE 1:1

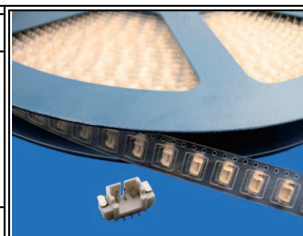
DATE

SIZE A4

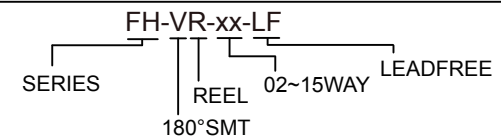
TOLERANCES ARE

X. ±  
.X ±  
.XX ±  
.XXX ±  
ANG ±

PJECTION



ORDER INFORMATION



DESCRIPTION: 1.25mm Wire-to-Board Header SMT 180° Type Reel Draw