

Material & Finish Δ

SHELL:

Steel, Nickel Plated Steel

PIN CONTACT:

Phosphor Bronze
Gold Flash Plated

INSULATOR:

PBT & Glass-fibre reinforced
UL-94-V0 Blue

CURRENT RATING:

3 Amp

CONTACT RESISTANCE:

30m Ω

DIELECTRIC STRENGTH:

1000VAC for one minute

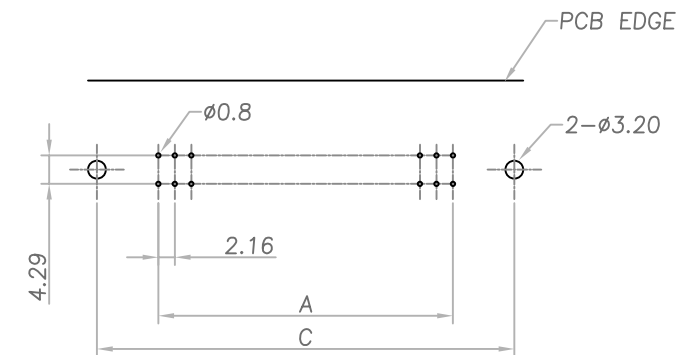
INSULATOR RESISTANCE:

1000M Ω Min. (at 500VDC)

TEMPERATURE:

-55°C to +105°C

Positions	A	B	C	D
14	12.96	25.2	36.0	43.9
24	23.76	36.0	46.8	54.7
36	36.72	48.9	59.7	67.7
50	51.84	64.1	74.9	82.8



RECOMMEND PCB LAYOUT

RoHS Compliant

TOLERANCES ARE

MORETHANALL
PCB CONNECTORS
Cable ASSEMBLIES

DRAWING BY CY

CHECKED BY GENIUS

UNIT / mm

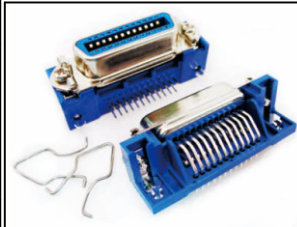
SCALE 1 : 1

DATE

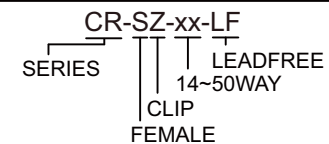
SIZE A4

PPOJECTION

X. \pm
.X \pm 0.40
.XX \pm 0.30
.XXX \pm 0.20
ANG \pm 3°



ORDER INFORMATION



DESCRIPTION: CENTRONIC PCB RIGHT ANGLE TYPE
FEMALE SCREW LOCK Z SHAPE APPOSE SPRING LATCH

煜倫股份有限公司

www.morethanall.com